



Masport®

Chipper Shredders



IMPORTANT

OWNER'S MANUAL.

Please read these instructions carefully before assembly. Keep these and the engine instructions in a safe place for future use.

This manual covers a range of different Masport Chipper Shredders. Some features mentioned may not apply to your Chipper Shredder.

GBR

MANUALE DI ISTRUZIONI.

Leggere attentamente le presenti istruzioni prima del montaggio. Conservare questo manuale e le istruzioni del motore in un luogo sicuro per futura consultazione.

Il presente manuale accompagna una gamma di sminuzzatrici trinciatrici Masport. Alcune caratteristiche indicate qui possono non riguardare la sminuzzatrice trinciatrice acquistata.

ITA

GEBRUIKERSHANDLEIDING.

Lees deze voorschriften zorgvuldig door alvorens de machine te monteren. Bewaar deze voorschriften en die over de motor op een veilige plaats om ze later te kunnen raadplegen.

Deze handleiding geldt voor verschillende typen Masport-hakselaars/houtversnipperaars. Mogelijk zijn sommige punten niet van toepassing op uw hakselaar/houtversnipperaar.

NLD

BRUKERVEILEDNING.

Vennligst les disse instruksjonene nøye før montering. Oppbevar dette dokumentet og maskininstruksjonen på et sikkert sted for fremtidig bruk.

Denne veiledningen dekker en rekke ulike modeller Masport Chipper Shredders. Noen av de nevnte funksjonene gjelder kanskje ikke din Chipper Shredder.

NOR

MANUEL D'UTILISATION.

Lire soigneusement ces instructions avant l'assemblage de l'appareil. Garder ces instructions et celles du moteur dans un endroit sûr pour future référence.

Ce manuel couvre toute une gamme de déchiqueteuses Masport. Les caractéristiques mentionnées ici ne s'appliquent pas toujours à votre déchiqueteuse.

FRA

PODRĘCZNIK UŻYTKOWNIKA.

Przed złożeniem urządzenia prosimy o dokładne przeczytanie instrukcji. Niniejszą instrukcję wraz z ulotką dotyczącą silnika należy zachować w bezpiecznym miejscu do wglądu na przyszłość.

Niniejszy podręcznik ma zastosowanie do szerokiego zakresu rozdrabniaczy/strzępiarek firmy Masport. Niektóre z wymienionych funkcji mogą nie mieć zastosowania do danego rozdrabniacza/strzępiarki.

POL

BETRIEBSANLEITUNG.

Bitte lesen Sie diese Gebrauchsanweisung vor dem Zusammenbau des Gerätes sorgfältig durch. Bewahren Sie diese Hinweise und die Anleitungen für den Motor gut auf, damit Sie sie immer zur Hand haben, wenn Sie sie brauchen. Diese Betriebsanleitung bezieht sich auf eine Reihe verschiedener Masport Häcksler-Schredder. Nicht alle der beschriebenen Details treffen notwendigerweise auf Ihren Häcksler-Schredder zu.

DEU

MANUAL DEL PROPIETARIO.

Lea estas instrucciones detenidamente antes del montaje. Guarde estas instrucciones y las del motor en un sitio seguro para uso en el futuro.

Este Manual cubre una gama de diferentes Picadoras Trituradoras Masport. Algunas características mencionadas tal vez no correspondan a la suya.

ESP



Do not operate this machine before it has been assembled correctly and you have read and understood these instructions.

Do not allow children to operate this equipment.



These instructions are intended as a general guide and do not supersede national or local codes in any way. Contact local Authorities for clarity of laws relating to operation of this appliance.

Keep the instructions in a safe place for future use.

Contents

Symbols in this Owner's Manual	3
Symbols used on the machine	3
Important Safety Information	4
Assembly	4
Operating Instructions	5
Starting	7
Chipping	7
Shredding	7
Basic Maintenance	8
Chipper Blade Removal	8
Shredder Blade Removal	9
Engine Removal	9
Rotor Removal	9
Belt Removal	9
Troubleshooting	10
Technical Information	10

Symbols in this Owner's Manual



Threatened hazard or hazardous situation. Not observing this instruction can lead to injuries or cause damage to property.



Important information on proper handling. Not observing this instruction can lead to faults in the machine.



User information. This information helps you to use all the functions correctly.

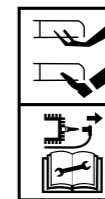
Symbols used on the Machine



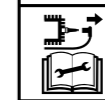
Read and understand this Owner's Manual before operating the machine.



Keep bystanders clear. Danger of flying objects.



Keep hands and feet clear.



Remove Spark Plug.



Always wear ear protection when using the machine



Always wear eye protection when using the machine



Always wear safety gloves when using the machine



Warning! Keep hands and feet clear of rotating blades.



Warning! Keep feet clear of rotating blades.

Important Safety Information

Please read and understand this manual fully before assembly and use.

- The Manufacturer's Warranty may be voided by the incorrect use of this product.
- The operator must understand all the safety requirements detailed in this manual before using the equipment.
- The operator is responsible for the safety of all third parties while the equipment is in use.
- The use of alcohol, prescription or non-prescription drugs may impair the user's ability to properly assemble or safely operate this chipper shredder.
- If you have any queries regarding these instructions, contact your local dealer for clarification before you use your unit.
- The unit must be correctly assembled before use. Failure to follow the manual's instructions could result in serious damage or injury.
- Ensure that the unit is on a level and stable surface before operating and in open space (e.g. not close to a wall or other fixed object).
- Ensure all fuel hoses are in good condition and have been correctly fitted.
- The chipper shredder should be carefully checked for operational safety every time before use.
- Carbon monoxide can be extremely dangerous in enclosed areas; do not run the machine in an enclosed area since the exhaust from the engine contains carbon monoxide, which is colourless, odourless and tasteless.
- Do not place hands or any other part of the body or clothing inside the feeding chutes, discharge area, or near any moving part.
- Before inspecting or servicing any part of the machine, shut off the power source. Make sure that all moving parts have come to a complete stop. Disconnect the spark plug wire from the spark plug.
- Use the correctly specified fuel with this unit, Check with

your dealer for the specific fuel for which this unit has been designed.

- Do not leave the chipper shredder unattended when it is running.
- Onlookers should be kept a safe distance away from the chipper shredder when it is in use.
- Keep children and animals well away while the unit is in use and while it is slowing down.
- Never try to move and tilt the unit when it is on, or before it has had time to stop.
- Parts of the engine do get extremely hot and could cause serious burns.
- The person operating this unit should pay constant attention to the material being processed.
- The person should remain at the unit at all times when it is running.
- Ensure that the engine is turned OFF at the throttle after use and while the unit is unattended.
- The Manufacturer or their Agents can accept no liability for any material that is processed and causes personal discomfort or injury

Assembly

1. The separate items you should have in the two cartons are:-

Carton 1

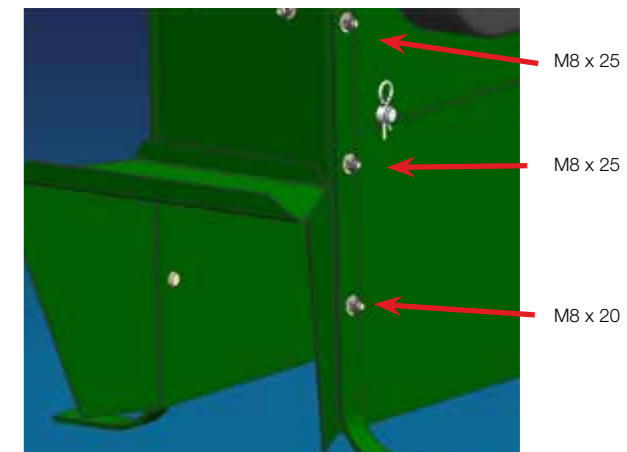
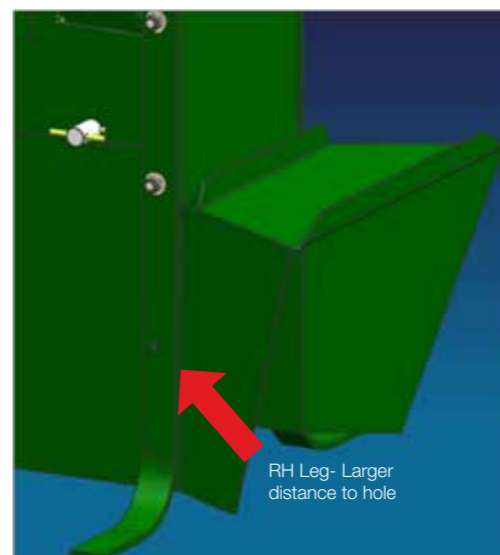
- Engine – Chassis assembly
- Two L-shaped legs
- Two Wheels
- A Plastic Bag containing
 - an Owner's Manual
 - a Warranty Card
 - an Engine Booklet
 - One M8 x 20mm screw
 - Four 16mm Axle Washers
 - One 8mm x 19mm Washer
 - One 8mm Nyloc Nut
 - Two cotter pins

Carton 2

- A Shredder chute with rubber flap and metal plate attached
- A Chute handle
- A Chipper chute with clamp
- Four 35mm Bolts for Chute Handle
- Two 8mm Spring Washers
- Eight 8mm x 19mm washers
- Two M8 x 25mm Screws
- Six 8mm Nyloc Nuts
- Two Chute Retainers

To Assemble

1. Remove the unit from the shipping support. Remove the wheel axle.
2. Confirm that there is no oil or fuel in the engine and roll the chassis carefully onto its left side.
3. Bolt the right leg in position, noting that the legs are right & left handed because the holes are off centre (the legs have been temporarily fixed on the opposite side for shipping purposes-keep record while dismantling for the correct side).



4. Fit a wheel to the axle with a washer either side of the wheel. Fit the axle and wheel into the chassis. Carefully roll the machine onto its right side and fit the other leg and wheel as above. Fit the axle pin.
5. Carefully lift the assembly so it's sitting on the wheels and legs.
6. Lift the engine and remove any packing that is under the engine mounting plate.
7. Attach the handle to the shredder chute.
8. Attach the shredder chute to the chassis using two 8mm x 25mm screws and two chute retainers, with plain washers and spring washers on the screws at the front and with two Nyloc nuts outside the chute at the sides. See Fig. 2.
9. Attach the Chipper Chute to the Chipper Tube and tighten the clamp (see Fig 2).
10. Add oil and fuel to the engine (see engine booklet)



Operating Instructions

1. To move the unit, place a foot behind a wheel and tilt the unit backwards until it passes its balance point.



Warning

Never move the unit while the engine is running.

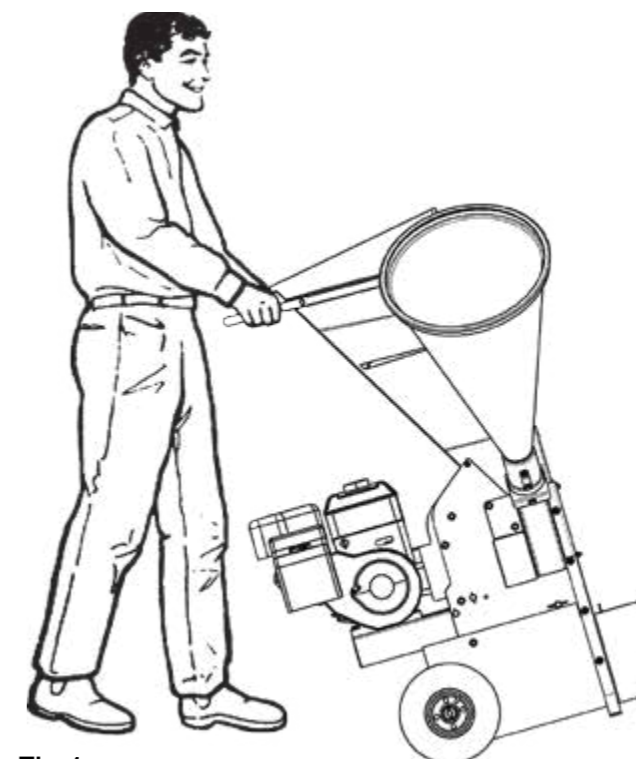


Fig 1

2. When crossing rough terrain or sloping areas, hold the handle firmly at each side with both hands (to prevent tipping). In some instances it may be easier to tow the unit behind you.
3. With the chutes removed, the unit will fit in some larger station wagons, but it must be secured in an upright position if there is oil and fuel in the engine.

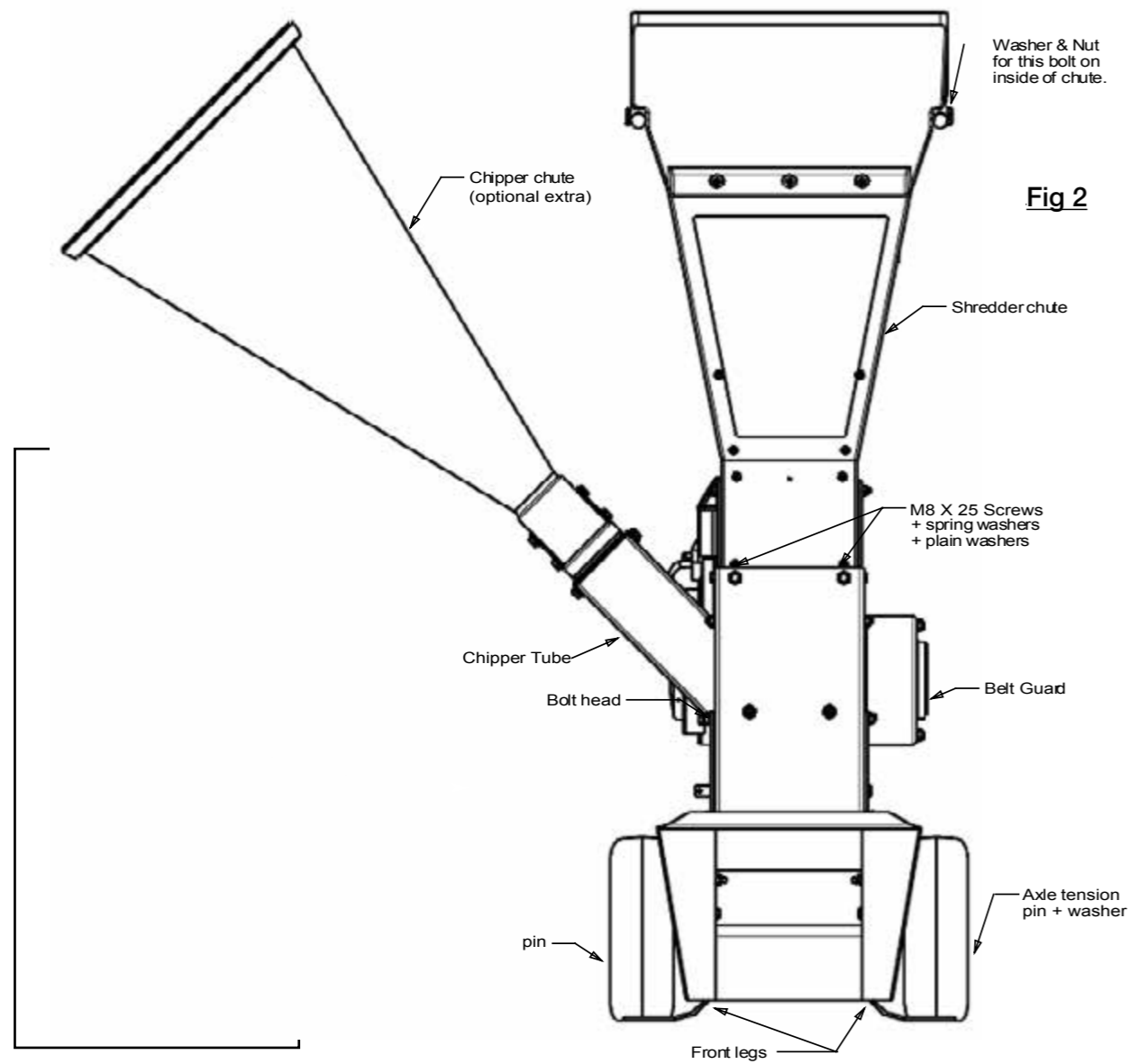


Fig 2

g) If the fuel tank is drained, this should be done outdoors.

Preparation

1. Wear safety glasses at all times while operating the machine. Hearing protection is also recommended, especially for extended operating periods.
2. Avoid wearing any loose fitting clothing or that has hanging cords or ties.
3. Before starting the machine, check that all screws, nuts, bolts and other fasteners are properly secured. Replace damaged or unreadable warning and operating decals.
4. **Warning** Use extra care in handling fuels. They are flammable and the vapours are explosive.
 - a) Use only an approved container for fuel.
 - b) Never remove fuel cap or add fuel with engine running. Allow engine to cool before refuelling. Do not smoke while refuelling.
 - c) Never refuel the machine indoors.
 - d) Never store the machine or fuel container inside where there is an open flame such as a water heater.
 - e) Always replace & securely tighten the fuel cap after refilling.
 - f) If fuel is spilled, do not attempt to start the engine, but move the machine away from the area of spillage before starting.

Operating Safety

OPERATION

1. When feeding shreddable material into the equipment, be extremely careful that pieces of metal, rocks, bottles, cans or other foreign objects are not included.
2. If the cutting mechanism strikes any foreign objects or if the machine should start making any unusual noise or vibration, immediately shut off the engine and allow the machine to stop. Disconnect the spark plug and take the following steps:
 - 1) Inspect for damage
 - 2) Replace or repair any damaged parts with equivalent specifications
 - 3) Check for and tighten any loose parts

Do not attempt to repair the machine unless you are competent to do so.
3. Keep the engine clean of debris and other accumulations to prevent damage to the engine or possible fire.
4. Keep all guards and deflectors in place and in good working condition.
5. Always stand clear of the discharge area when operating this machine.

6. Keep your face and body away from the feed & discharge openings.
7. Do not over-reach. Never stand at a higher level than the base of the machine when feeding material into it. Keep proper balance and footing at all times.
8. Do not allow processed material to build up in the discharge zone; this may prevent proper discharge and can result in kickback of material through the feed intake opening.
9. If the machine becomes clogged at the inlet opening or discharge chute shut off the power source and disconnect the spark plug wire before clearing debris in the inlet opening or discharge chute. Remember that operating the starting mechanism on engine powered machines will still cause the cutting means to move.
10. Do not tamper with the engine governor settings on the machine: the governor controls the maximum safe operating speed and protects the engine and all moving parts from damage caused by overspeed. Seek authorised service if a problem exists.

MAINTENANCE AND STORAGE

1. When this equipment is stopped for servicing, inspection, or storage, or to change an accessory, make sure the spark plug wire is disconnected from the spark plug. Make sure that all moving parts have come to a complete stop. Allow the machine to cool before making any inspections, adjustments etc. Maintain the machine with care and keep it clean.
2. Store the machine out of reach of children and where fuel vapour will not reach an open flame or spark. For extended storage periods, run the unit dry of petrol. Always allow the machine to cool before storing.
3. When servicing the cutting means be aware that, even though the power source will not start due to the interlock feature of the guard, the cutting means can still be moved by a manual starting mechanism.

Starting

1. Ensure the Chipper Shredder is on stable level ground so it won't tip over. Do not operate the machine on a hard surface such as concrete, as discharged material will rebound and may damage people or property.
2. Before starting the engine, check that the engine mounting plate is roughly horizontal. If not – see maintenance instructions.
3. Refer to your engine booklet for details on adding oil and fuel to your engine.
4. Follow the instructions for choking the engine (if it is cold).
5. Pull the starting cord until the engine starts and open the choke after about 5 seconds.
6. Adjust the throttle to achieve the desired operating speed.
7. Once the engine is hot, it is not necessary to use the choke when restarting.
8. Do not restart the unit with material in the chipper tube or shredder chute. The additional drag may cause severe wear on the drive belt or you may damage the pull starter on the engine.

Chipping



Warning

Never put your hands or fingers in the chipper chute. For the protection of others, do not leave the machine unattended when it is running.

1. Branches up to 65mm diameter can be chipped using the chipper tube on the side of the unit (50mm without chipper tube with the restrictor plate). Green timber will chip much faster than dry timber. Do not chip wood that contains nails.
2. If the unit cannot be placed on the surface on which the chips will be spread, then a sheet of plastic or canvas can be laid under the machine to collect the chips.



Important!

Do not move the unit with the engine running. The resultant tilting may starve the engine of oil and cause it to seize.

3. If the engine is slowing substantially while chipping, reduce the rate you are feeding branches into the machine. This will also make the resultant chips smaller and will extend the life of the drive. Alternatively, check if the blades are blunt.



Note!

DO NOT throw the ends of branches that are larger than 15mm diameter into the shredder chute. Push them down the chipper chute using another piece of wood.

4. Rotating the branches as you chip can reduce the incidence of bark wrapping around the shaft and causing jamming.
5. Branches with multiple smaller branches connected can be fed into the chipper chute until you are left with a handful of small leaves and branches. This handful can then be dropped into the shredder chute.
6. If the chipper becomes jammed, the engine should be stopped immediately (if it has not stalled). Disconnect the spark plug wire and move it away from the spark plug. Remove the offending material before restarting. This may involve lowering the shredder mesh, turning the shredder assembly backwards and prising the material out of the tube.



Note!

DO NOT continue chipping if the drive belt is slipping or smoking. To readjust the belt, see maintenance information.



Warning

Never operate the machine with the small maintenance cover plate in its open position or removed. Serious injury can result.

Shredding



Warning

- A. Do not push material into the shredder chute with your hands. Use a green branch or a piece of softwood.
- B. Wear eye protection.

1. Many organic materials as well as leaves and branches can be shredded. Vines will need to be cut into short lengths (about 300mm) before feeding them into the shredder chute as they may wrap around the shaft. This could cause jamming of the unit and cause severe injury to the operator.



Important!

Do not attempt to shred objects such as glass, metal, plastic bottles or rocks.

2. Preferably wear gloves when feeding small branches into the shredder chute, hold the branches loosely and release them long before they contact the rotating blades.



Important!
Beware of a sudden jerk as the branches are tugged into the shredder.

- Branches over 15mm diameter will rattle around inside the shredder for some time and may damage the shredding screen. These branches should be fed into the chipper tube instead.
- Leaves shred very well, especially if they don't contain long sticks and they are kept loosely stacked in the shredder chute, i.e. don't force them down the chute if it becomes clogged. Stop the engine and free the jam.
- Keep watching the area under the machine to ensure that the shredded material has not built up to the point where further shredded material cannot escape. This may prevent proper discharge and could cause kickback of material through the feed opening. Move the machine backwards a short distance as material builds up underneath.



Warning
Never put your hands or feet under the machine when it is running.

- Control the rate of feeding material into the shredder chute so that the motor is not overloaded. In particular, try to avoid rapid changes in engine speed caused by instantaneous bulk feeding.
- If the shredder screen becomes clogged, stop the engine and pull the R clip from the pin that protrudes under the belt guard near the left front leg. Using the T grip below the chipper tube, pull the pin out of the shredder screen. Generally, this will cause the screen to open downwards. If it is jammed, it can be gently prised down using the shredder rod or a large screwdriver.



Warning
Do not rotate the shredder assembly without first disconnecting the spark plug lead from the spark plug moving the lead away from the spark plug.

- Once a jam is cleared, push the screen into place and replace the pin. Note that the T grip must be horizontal for the pin to go fully through the screen. Replace the R clip.
- If the screen is blocking repeatedly when shredding material such as wet leaves, try mixing some dry material with the wet material to scour the screen clear or use the (optional extra) bar grate. See below.
- After shredding "stringy" material such as palm leaves, remove the shredder chute and check that they have not wrapped tightly around the ends of the rotor, inside the chamber. If so, carefully remove them with a flat screwdriver. Some varieties of palm leaves can be cut in the chipper chute.



Important!
If material that is wrapped around the shaft is not removed, the shaft becomes hot and "boils" the oil out of the shaft bearings. The bearings will then fail.

- 11. USE OF (OPTIONAL EXTRA) BAR GRATE (929304).**
For shredding soft, bulky or wet material such as weeds or vegetable matter, an optional bar grate can be purchased. To fit the bar grate, turn the engine off, remove the spark plug lead and the belt guard. Pull out both R clips securing the shredder mesh rods, remove the rods and the mesh. Insert the bar grate from below and insert the rods through the grate. Reconnect the R clips, the belt guard and the spark plug lead.

Basic Maintenance

TOOLS REQUIRED

- Two 13mm ring open-ended spanners.
 - 5mm allen key.
 - Shifting spanner 10".
- Every 5-10 hours of operation check the oil level and top up if necessary. Change the oil in accordance with the instructions in the engine booklet.
 - Regularly check the condition of the engine air cleaner, especially in dusty environments.
 - The drive belt may stretch after a short period of use, but should then stabilise for a considerable time if not overloaded or constantly slipped. If the engine is not approximately level (i.e. if it is hanging backwards away from the chute) then the spring pressure on the belt may be reduced causing the belt to slip. To return the engine to level: Remove the belt guard; loosen the 4 engine mounting bolts using two 13mm spanners; raise the engine mounting plate until the engine is tilting slightly forward; pull the engine back in its mounting slots and tighten two rear engine mounting bolts; check that the engine is now level; tighten the remaining engine bolts; replace the belt guard.



Note!
Replace the drive belt when the engine has reached the end of its slotted holes and the belt is slipping.

- If the engine is vibrating badly, the 10mm engine pivot bolts under the engine mounting plate may need tightening. Do not tighten them fully, and after tightening check that the engine still pivots by lifting it by hand. If it does not pivot, the belt will slip, as the weight of the engine keeps the belt tight. Removing the pivot bolts and greasing them at least once a year will increase the life of the pivot bushes. New Nyloc nuts may be necessary after removing them a few times.

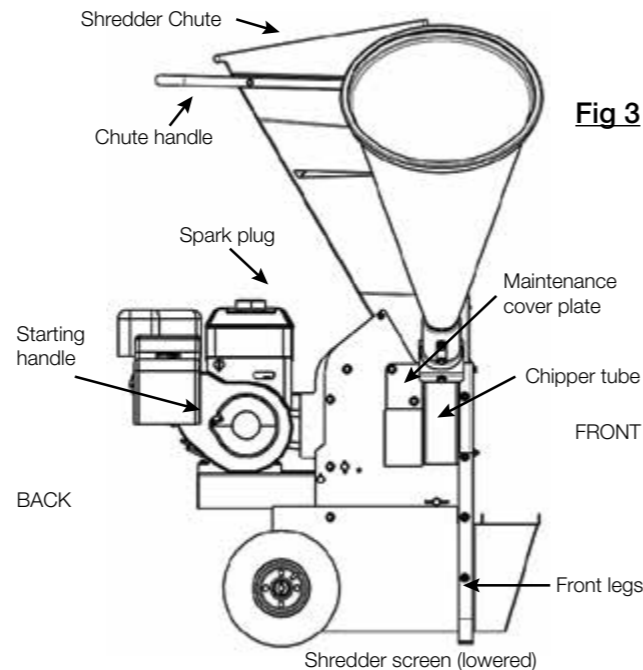
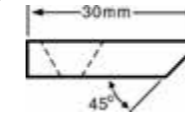


Fig 3

Chipper Blade Removal

- Disconnect the spark plug lead from the spark plug moving the lead away from the spark plug.
- Remove the shredder chute.
- Loosen the upper bolt on the maintenance cover plate and remove the lower bolt.

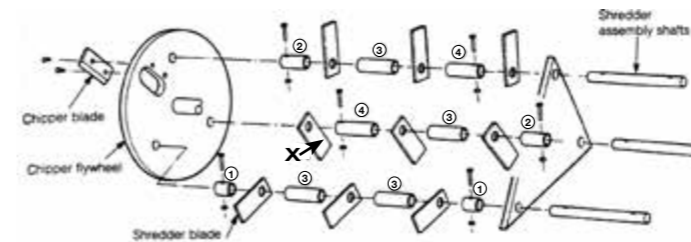
- Rotate the maintenance cover plate to expose the hole under the plate.
- Rotate the shredder-chipper rotor until the chipper blade is opposite the maintenance hole.
- With a sharp object such as a nail, remove debris from the allen key holes in the two countersunk chipper blade bolts.
- Remove the bolts and the chipper blade using an allen key and a 13mm spanner.
[BEWARE OF THE SHARP EDGE ON THE CHIPPER BLADE.]
- Sharpen blade to 45°. Grind the same amount from each blade to preserve the balance. The minimum blade dimensions are:



Never use a cracked chipper blade.

- Use new Nyloc nuts when replacing the chipper blade, and new bolts if they appear damaged. Ensure the blade is sitting flat on the chipper fly wheel surface before tightening.

Shredder Blade Removal



Models with two chipper blades. Check positions of blade slots relative to shredder shafts so that the blade X can revolve on its shaft without hitting the chipper blade screw nuts.

TOOLS REQUIRED

- 4mm Allen key.
- 8mm spanner.
- 1/4" rod or a Phillips head screwdriver with a shaft 6mm diameter or smaller.
- Bearing puller.
- Two 18mm open ended spanners.
- 1/8" Allen key.



Important!
Check the rotor assembly for loose bolts & cracked, worn or bent parts after every 20 hours of use or after impact with a foreign object.
Replace worn or damaged parts.

- The shredder blades can be turned 180° to expose fresh cutting faces.
- To remove the blades, first remove the shredder chute and open the maintenance cover near the chipper tube.
- Remove the spark plug lead from the spark plug.
- Remove the belt guard.
- Align one shredder assembly shaft with the hole under the maintenance cover.
- Remove the small bolts through the shredder shaft.
- Insert a rod or Phillips head screwdriver through the small hole above the pulley in the left hand plate and push the shredder shaft out through the maintenance hole.
- Check the condition of the shredder shaft. If it is badly grooved

(i.e. grooves greater than 1mm deep) then replace it. Similarly replace worn spacers (see lengths below.)

SPACER No.	LENGTH (mm)	PART No.	No.
1	18	536043	2
2	36	536042	2
3	51	536045	4
4	51	536044	2

- Repeat the same operation for the other two shredder shafts.
- When replacing the shafts and blades, use new Nyloc nuts on the shaft bolts and install new bolts if they are damaged or worn. Do not reuse cracked or badly worn blades.
- The blades must be installed as shown. Of particular importance, the blade X which has no spacer between it and the chipper flywheel must be on the shaft which allows it to rotate about the shaft without fouling the nuts holding the chipper blade in position.

Engine Removal

Disconnect the engine from the unit by removing the belt guard, the drive belt, the belt tensioning spring, and the two engine pivot bolts.

Rotor Removal

- Remove the pulley from the rotor assembly by first removing the circlip, then loosening the boss screw and withdrawing the pulley using a puller. Penetrene injected through the boss screw hole may assist removal.
- Remove the shredder chute.
- Remove the 13mm screw from the end of the rotor shaft adjacent to the chipper tube.
- Take the four nuts from the bearing screws.
- Loosen all four bearing boss screws using a 3mm Allen key.
- With a brass (or similar) drift, drive the shredder shaft partially through the bearing on the chipper tube side of the machine.
- Remove the bearing on the pulley side of the machine using a puller.
- Remove the chipper blades or ensure that the blades are nowhere near the chipper tube.
- Tap the rotor shaft from the pulley side using a soft hammer. Be careful not to damage the chipper blades.
- Remove the bearing on the chipper tube side of the machine using a puller.
- The rotor assembly can now be removed by disconnecting one of the side plates from the machine.



Note!
When reassembling, put Loctite 262 (or similar) on the pulley boss screw and always ensure that a good circlip is fitted.

Belt Removal

- Remove the belt guard.
- Disconnect the spark plug lead from the spark plug.
- Loosen the four engine mounting bolts and slide the engine forward.
- Raise the engine and remove the belt.
- When a new belt is installed, re-adjust the engine position so that it is level when the belt is tight.
- Attach the belt guard.

Troubleshooting

PROBLEM	POSSIBLE CAUSE(S)	CORRECTIVE ACTION
Engine Fails to start	Fuel Tank Empty Fuel Tank filter clogged Spark plug wire disconnected Faulty spark Plug Faulty spark Plug	Fill Fuel Tank with correct fuel Clean Fuel Tank Connect wire onto Spark Plug Clean Spark Plug Replace Spark Plug
Loss of Power; Operation erratic	Spark Plug Wire loose Unit still running on CHOKE Blocked Fuel Line Fuel Tank is nearly empty Carburettor requires setting Dirty/Clogged Air Filter Fuel Tank dirty	Tighten Spark Plug connection Move the CHOKE lever to NORMAL Clean fuel lines Re-fill Petrol Tank Consult your local dealer Clean or replace Air Filters Clean Petrol Tank
Engine Overheats	Engine Oil Low Debris around engine	Refill with correct grade of oil Turn unit off and clean around engine
Unit Vibrates	Engine Mounting Plate loose Chipping Blade damaged Debris jammed into flail blades Uneven surface	Tighten mounting plate, refer to O/M Check blades and replace if needed Check flails and remove any debris Move unit to a flat surface
Unit does not discharge	Discharge mesh clogged	Disconnect Spark Plug Wire then remove and clean mesh Add dry or a different material mix Lessen the volume going into the Chute
Unit not performing	Unit taking longer to process material	Check flail blades are not broken Check and replace/turn 180' shredder blades Replace or sharpen Chipper Blades Check Belt for correct tension

Technical Information

Model:	Chipper Shredder GRN 6.0 IC	Model:	Chipper Shredder EU GRN 6.0 IC
Engine Type:	B&S HRZ, 205cm ³	Engine Type:	B&S HRZ, 205cm ³
Engine Power:	4.03kW	Engine Power:	4.03kW
Rated no-load speed:	3600/min	Rated no-load speed:	3600/min
Petrol tank capacity:	3800mL	Petrol tank capacity:	3800mL
Oil tank capacity:	900mL	Oil tank capacity:	900mL
Cutting blade part number:	536027 (Chipper-blade) & 536030 (Shredder-blade)	Cutting blade part number:	536027 (Chipper-blade) & 536030 (Shredder-blade)
Weight:	73kg	Weight:	73kg
Sound pressure level LPA at the operator position:	92.3 dB(A) k=3dB(A)	Sound pressure level LPA at the operator position:	92.3d B(A)k=3dB(A)
Measured sound power level LWA:	112.0 dB(A) k=3dB(A)	Measured sound power level LWA:	103.8 dB(A) k=3dB(A)
Guaranteed sound power level LWA (2000/14/EC):	112.0 dB(A)	Guaranteed sound power level LWA (2000/14/EC):	112.0 dB(A)



Gebruik de machine niet voordat deze correct is gemonteerd en u deze voorschriften hebt gelezen en begrepen.

Laat geen kinderen met de machine werken.



Deze voorschriften zijn bedoeld als algemene leidraad en hebben geen voorrang op landelijke of lokale voorschriften. Neem contact op met de lokale overheid voor duidelijkheid over de wettelijke voorschriften betreffende het gebruik van dit toestel.

Bewaar deze voorschriften op een veilige plaats om ze later te kunnen raadplegen.

Inhoud

Symbolen in deze gebruikershandleiding	13
Symbolen op de machine	13
Belangrijke veiligheidsinformatie	14
Montage	14
Bedieningsvoorschriften	15
Starten	17
Hakselen	17
Versnipperen	17
Basisonderhoud	18
Afnemen van het hakselmes	19
Afnemen van het versnippermes	19
Demonteren van de motor	19
Demonteren van de rotor	19
Afnemen van de riem	20
Storingen oplossen	21
Technische gegevens	21

Symbolen in deze gebruikershandleiding



Dreigend gevaar of gevaarlijke situatie. Niet-naleving van dit voorschrift kan letsels of schade aan eigendommen veroorzaken.



Belangrijke informatie over correcte hantering. Niet-naleving van dit voorschrift kan defecten in de machine veroorzaken.



Gebruikersinformatie. Deze informatie helpt u alle functies correct te gebruiken.

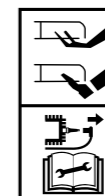
Symbolen op de machine



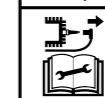
Lees aandachtig deze Gebruikershandleiding alvorens de machine te bedienen.



Zorg dat omstanders uit de buurt blijven. Gevaar van rondvliegende voorwerpen.



Houd handen en voeten uit de buurt



Bougie verwijderen



Draag altijd gehoorbescherming bij gebruik van de machine



Draag bij gebruik van de machine altijd een veiligheidsbril



Draag altijd veiligheidshandschoenen bij gebruik van de machine



Waarschuwing! Houd handen en voeten uit de buurt van draaiende messen



Waarschuwing! Houd voeten uit de buurt van draaiende messen

Belangrijke veiligheidsinformatie

Lees deze handleiding aandachtig door alvorens de machine te monteren en in gebruik te nemen.

- Bij verkeerd gebruik van dit product kan de fabrieksgarantie vervallen.
- De bediener dient alle in deze handleiding vermelde veiligheidseisen te begrijpen alvorens de machine te gebruiken.
- De bediener is verantwoordelijk voor de veiligheid van alle derden wanneer de machine in gebruik is
- Het gebruik van alcohol of geneesmiddelen (al dan niet op voorschrift) kan van invloed zijn op de bekwaamheid van de gebruiker om deze hakselaar-versnipperaar correct te monteren of veilig te bedienen
- Neem als u hierover vragen hebt contact op met uw lokale verkoper voor meer duidelijkheid alvorens uw machine in gebruik te nemen.
- De machine moet correct worden gemonteerd alvorens deze in gebruik te nemen. Bij niet-naleving van de voorschriften in de handleiding kan ernstige schade of letsel worden veroorzaakt.
- De machine moet correct worden gemonteerd alvorens deze in gebruik te nemen. Bij niet-naleving van de voorschriften in de handleiding kan ernstige schade of letsel worden veroorzaakt
- Overtuig u ervan dat alle brandstofslangen in goede staat zijn en correct zijn gemonteerd.
- De hakselaar-versnipperaar behoort vóór gebruik steeds zorgvuldig te worden gecontroleerd op operationele veiligheid.
- Koolstofmonoxide kan uiterst gevaarlijk zijn in besloten ruimtes; stel de machine niet in werking in een besloten ruimte omdat de uitlaatgassen van de motor koolstofmonoxide bevatten, dat kleurloos, reukloos en smaakloos is.
- Plaats uw handen, andere lichaamsdelen of kleren niet in de vultrechters, de uitwerpzone, of in de buurt van een bewegend onderdeel.
- Schakel de motor uit alvorens een inspectie of onderhoud van een onderdeel van de machine uit te voeren. Vergewis u ervan dat alle bewegende delen volledig tot stilstand zijn gekomen. Koppel de bougiekabel los van de bougie.
- Gebruik brandstof met de juiste specificaties voor deze machine. Vraag aan uw verkoper welke specifieke brandstof met deze machine moet worden gebruikt.
- Laat de hakselaar-versnipperaar niet onbewaakt achter als hij in werking is.
- Omstanders moeten op veilige afstand worden gehouden wanneer de hakselaar-versnipperaar in gebruik is.
- Houd kinderen en dieren uit de buurt wanneer de machine wordt gebruikt en wanneer deze tot stilstand komt.
- Tracht de machine nooit te verplaatsen en te kantelen wanneer deze in werking is, of voordat deze tot stilstand is gekomen.
- Sommige delen van de motor worden heet en kunnen ernstige brandwonden veroorzaken.
- De persoon die deze machine bedient moet voortdurend attent zijn op het materiaal dat wordt verwerkt.
- Deze persoon behoort altijd bij de machine te blijven wanneer deze in werking is.
- Zorg ervoor dat de motor na gebruik en wanneer de machine onbewaakt wordt achtergelaten aan de gashendel wordt uitgeschakeld.
- De fabrikant of zijn distributeurs zijn niet aansprakelijk voor persoonlijk ongemak of letsel dat door het verwerkte materiaal wordt veroorzaakt.

Montage

1. De twee dozen behoren de volgende afzonderlijke elementen te bevatten:-

Doos 1

- Samenstel motor-chassis
- Twee L-vormige poten
- Twee wielen
- Een plastic zak met
 - een gebruikershandleiding
 - een garantiekaart
 - een motorboekje
 - Eén M8 x 20-mm schroef
 - Vier 16-mm assluitringen
 - Eén 8-mm x 19-mm sluitring
 - Eén 8-mm nyloc moer
 - Twee splitpenen

Doos 2

- Een versnippertrichter met rubberen klep en metalen plaat gemonteerd
- Een trechterhendel
- Een hakseltrechter met klem
- Vier 35-mm bouten voor trechterhendel
- Twee 8-mm veerringen
- Acht 8-mm x 19-mm sluitringen
- Twee M8 x 25-mm schroeven
- Zes 8-mm nyloc moeren
- Twee trechterhouders

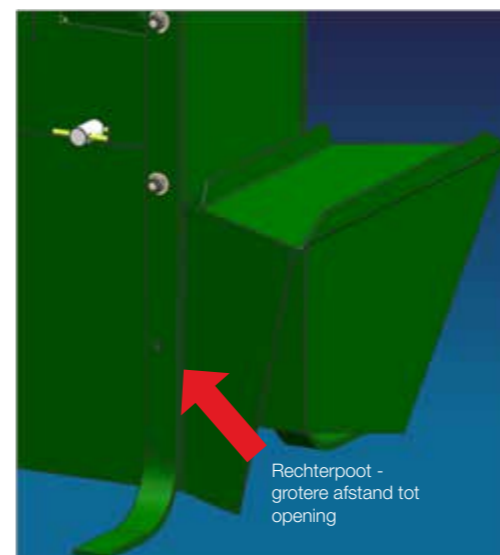
Monteren

1. Verwijder de machine van de transportsteun. Verwijder de wielas.
2. Controleer dat er geen olie of brandstof in de motor zit en rol het chassis voorzichtig op zijn rechterzijde.
3. Bout de rechterpoot op zijn plaats en let op het verschil tussen de linker- en rechterpoten aangezien de gaten niet in het midden zitten (de poten zijn voor het transport tijdelijk aan de andere zijde bevestigd - noteer de positie aan de juiste zijde bij het demonteren).



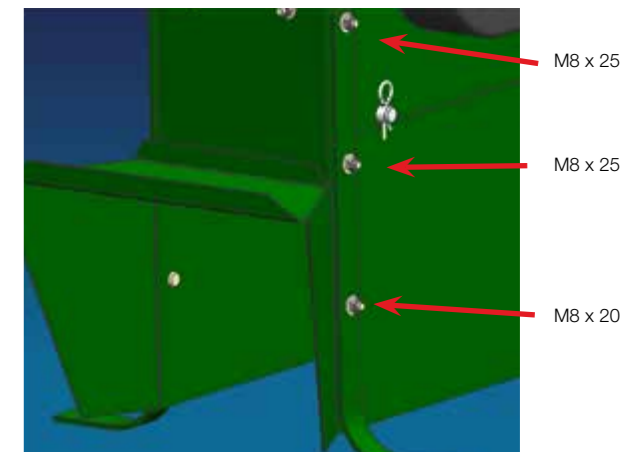
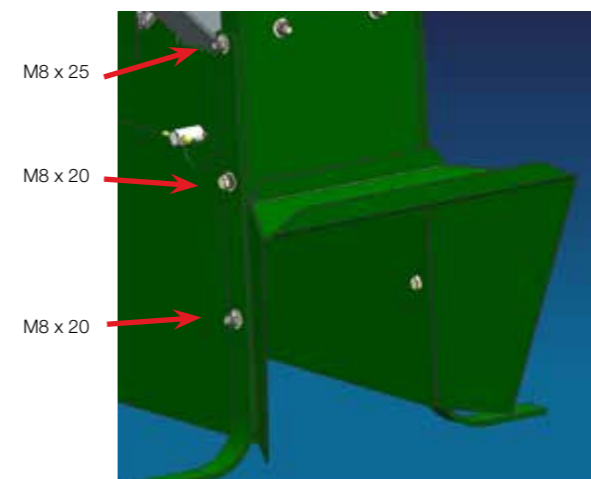
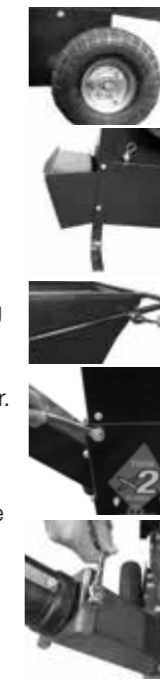
Linkerpoot - bevestig aan de andere zijde

Rechterpoot - bevestig aan de andere zijde



Rechterpoot - grotere afstand tot opening

4. Monteer een wiel op de as met een sluitring aan beide kanten van het wiel. Monteer de as en het wiel in het chassis. Rol de machine zorgvuldig op haar rechterzijde en monteer de andere poot en wiel zoals hierboven beschreven. Monteer de tap.
5. Til het samenstel voorzichtig op totdat het op de wielen en poten rust.
6. Til de motor op en verwijder eventuele pakking onder de motormontageplaat.
7. Maak de hendel vast aan de versnippertrichter.
8. Maak de versnippertrichter vast aan het chassis door middel van twee 8-mm x 20-mm schroeven en twee trechterhouders, met platte sluitringen en veerringen op de schroeven aan de voorkant en met twee nyloc moeren buiten de trechter aan de zijkanten. Zie Fig. 2.
9. Maak de hakseltrechter vast aan de versnipperbuis en zet de klem vast (zie Fig 2).
10. Voorzie de motor van olie en brandstof (zie motorboekje)



M8 x 25

M8 x 25

M8 x 20

Bedieningsvoorschriften

1. U kunt de machine verplaatsen door een voet achter een wiel te zetten en de machine naar achteren te kantelen tot over haar evenwichtspunt.



Waarschuwing

Verplaats de machine nooit terwijl de motor draait.



Fig 1

2. Houd bij het rijden op ruw of hellend terrein de hendel stevig aan weerszijden met beide handen vast (tegen het omkantelen). In sommige gevallen kan het gemakkelijker zijn de machine achter u aan te trekken.
3. Wanneer de vultrechters zijn verwijderd past de machine in sommige grotere stationwagens, maar indien er olie en brandstof in de machine zit moet deze goed gefixeerd en rechtopstaand worden vervoerd.

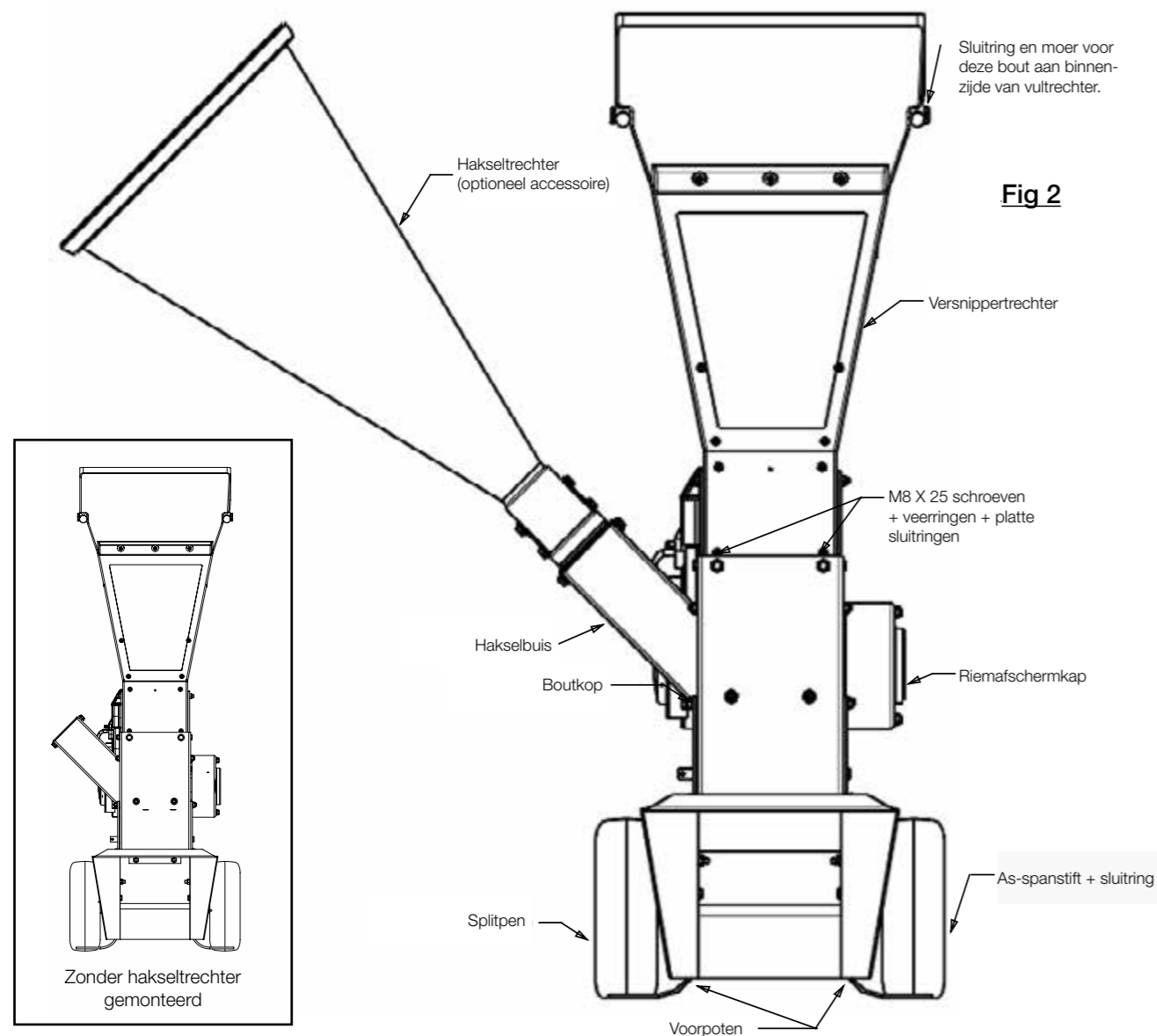


Fig 2

Vorbereiding

1. Draag altijd een veiligheidsbril wanneer u met de machine werkt. Gehoorbescherming wordt eveneens aanbevolen, vooral voor langere gebruikperiodes.
2. Draag geen loszittende kleding of kleren met loshangende koordjes of bandjes.
3. Controleer voordat u de machine start dat alle schroeven, moeren, bouten en andere bevestigingsmiddelen goed vastzitten. Vervang beschadigde of onleesbare waarschuwings- en bedieningsstickers.
4. **⚠ Waarschuwing**
Wees extra voorzichtig met brandstoffen. Zij zijn ontvlambaar en hun dampen zijn explosief.
 - a) Gebruik alleen een goedgekeurde houder voor brandstof.
 - b) Nooit de brandstofdop verwijderen of met draaiende motor brandstof toevoegen. Laat de motor afkoelen alvorens brandstof bij te vullen. Niet roken terwijl u brandstof bijvult.
 - c) Brandstof nooit in een binnenruimte bijvullen.
 - d) De machine of brandstofhouder nooit in een binnenruimte opslaan waar zich een open vlam bevindt, zoals van een boiler.
 - e) Plaats de brandstofdop altijd terug en draai hem stevig vast na het bijvullen.

- f) Start de motor niet waar brandstof is gemorst, maar haal de machine voor het starten van die plek weg.
- g) Eventueel leegmaken van de brandstoftank behoort buiten te gebeuren.

Bedieningsveiligheid

BEDIENING

1. Wees uiterst voorzichtig bij het invoeren van versnipperbaar materiaal in de machine zodat er geen stukken metaal, stenen, flessen, blikken of andere vreemde voorwerpen in terecht komen.
2. Indien het snijmechanisme op vreemde voorwerpen stuit of de machine ongewone geluiden maakt of trilt, moet u de motor onmiddellijk stilzetten en de machine tot stilstand laten komen. Koppel de bougiekabel los en ga als volgt te werk:
 - 1) Inspecteer op schade
 - 2) Vervang of repareer beschadigde onderdelen door andere met vergelijkbare specificaties
 - 3) Controleer op loszittende onderdelen en zet die vast
 Tracht de machine niet te repareren tenzij u over de nodige vaardigheden beschikt.
3. Houd de motor vrij van vuil en andere ophopingen om geen schade of eventueel brand te veroorzaken.
4. Laat alle afschermkappen en deflektoren zitten en zorg dat ze in goede staat van onderhoud zijn.

5. Blijf bij gebruik van deze machine altijd uit de buurt van de uitwerpzone.
6. Houd uw gezicht en lichaam uit de buurt van de vul- en uitwerpopeningen.
7. Tracht niet te ver te reiken. Ga bij het invoeren van materiaal in de machine nooit hoger staan dan de voet van de machine. Zorg altijd voor een goede en stabiele houding.
8. Zorg dat het verwerkte materiaal zich niet ophoopt in de uitwerpzone; dit kan de goede werking van de uitworp belemmeren en materiaal kan via de invoeropening weer in de machine terechtkomen.
9. Als de inlaatopening of de uitwerpgoot van de machine verstopt raakt, moet u de motor uitschakelen en de bougiekabel loskoppelen alvorens het materiaal uit de inlaatopening of de uitwerpgoot te verwijderen. Denk erom dat bij het bedienen van het startmechanisme bij machines met motoraandrijving de messen nog bewegen.
10. Sleutel niet aan de reguleurstelling (toerental) van de machine: de reguleur regelt het maximaal veilige bedrijfstoerental en beschermt de motor en alle bewegende onderdelen tegen schade door een te hoog toerental. Raadpleeg bij problemen een erkende serviceverlener.

ONDERHOUD EN OPSLAG

1. Wanneer de machine wordt stilgezet voor onderhoud of controle, om ze op te bergen of een accessoire te wisselen, moet u de bougiekabel van de bougie loskoppelen. Vergewis u ervan dat alle bewegende delen volledig tot stilstand zijn gekomen. Laat de machine afkoelen voordat u controles uitvoert, de machine afstelt enz. Onderhoud de machine zorgvuldig en houd ze schoon.
2. Berg de machine op buiten het bereik van kinderen en op een plaats waar de brandstofdamp niet kan ontploffen door een open vlam of vonk. Laat de motor lopen totdat de benzineleidingen leeg zijn voordat u de machine voor langere tijd opbergt. Laat de machine altijd afkoelen alvorens deze op te bergen.
3. Let erop dat de messen bij het onderhoud nog wel door middel van een handmatig startmechanisme in beweging kunnen komen, ongeacht het feit dat de motor niet kan starten omdat bij het wegnemen van de afscherming een blokkeerinrichting in werking treedt.

Starten

1. Zorg ervoor dat de hakselaar-versnipperaar op een stabiele horizontale ondergrond staat zodat hij niet kan omkantelen. Gebruik de machine niet op een verharde ondergrond zoals beton omdat het uitgeworpen materiaal kan terugspringen en letsel of schade kan veroorzaken.
2. Controleer voordat u de motor start of de motormontageplaat ongeveer horizontaal staat. Raadpleeg de onderhoudsvoorschriften als dat niet het geval is.
3. Raadpleeg uw motorboekje voor details over het (bij)vullen met olie en brandstof.
4. Volg de instructies op voor het gebruik van de choke (bij koude motor).
5. rek aan het startkoord totdat de motor start en zet de choke na ongeveer 5 seconden open.
6. Zet de gashendel in de gewenste stand.
7. Nadat de motor is opgewarmd hoeft u de choke niet meer te gebruiken om de machine te herstarten.
8. Herstart de machine niet wanneer er materiaal in de hakselbuis of versnippertrechter ligt. De extra belasting kan ernstige slijtage van de aandrijfriem veroorzaken of u kunt de trekstarter van de motor beschadigen.

Hakselen



Waarschuwing

Plaats nooit uw handen of vingers in de hakseltrechter. Laat de machine niet met draaiende motor onbewaakt achter om anderen niet in gevaar te brengen.

1. Takken tot 65 mm diameter kunnen worden gehakseld in de hakselbuis aan de zijkant van de machine (en tot 50 mm zonder hakselbuis met de begrenzingsplaat). Groen hout wordt sneller gehakseld dan droog hout. Haksel geen hout waarin nog spijkers zitten.
2. Als de machine niet op de ondergrond kan worden geplaatst waarop het gehakselde materiaal zal worden uitgestrooid, kan een plastic folie of zeildoek onder de machine worden gelegd om het materiaal op te vangen.



Belangrijk!

Verplaats de machine nooit terwijl de motor draait. Door het kantelen kan de motor gebrek aan olie krijgen en daardoor vastlopen.

3. Als de motor tijdens het hakselen aanmerkelijk vertraagt, moet u de machine minder takken voeren. Daardoor wordt het materiaal ook fijner gehakseld en verlengt u de levensduur van de aandrijving. Het kan ook zijn dat u moet controleren of de messen bot zijn geworden.



Let op!

Werp de uiteinden van takken van meer dan 15 mm diameter NIET in de versnippertrechter. Duw ze in de hakseltrechter met behulp van een ander stuk hout.

4. Door de takken tijdens het hakselen te draaien, is er minder kans dat de schors zich om de as wikkelt, waardoor de machine vast kan lopen.
5. Takken met veel kleinere takjes kunnen in de hakseltrechter worden ingevoerd totdat er slechts een handvol kleine bladeren en takken overblijft. Die kunt u dan in de versnippertrechter laten vallen.
6. Als de hakselaar vastloopt, behoort de motor onmiddellijk te worden uitgeschakeld (als hij al niet is afgeslagen). Koppel de bougiekabel los en leg hem uit de buurt van de bougie. Verwijder het blokkerende materiaal alvorens opnieuw te starten. Mogelijk moet hiervoor het versnippergas worden neergelaten, het versnipperstamenstel worden achteruit gedraaid en het materiaal uit de buis gehaald.



Let op!

Ga NIET door met hakselen als de aandrijfriem doorslijpt of als er rook vanaf komt. Zie de onderhoudsvoorschriften voor het opnieuw afstellen van de riem.



Waarschuwing

Gebruik de machine nooit als de kleine onderhoudsafdekplaat open staat of is verwijderd. Dit kan ernstig letsel veroorzaken.

Versnipperen



Waarschuwing

- A. Duw het materiaal niet met uw handen in de versnippertrechter. Gebruik een groene tak of een stuk naaldhout.
- B. Draag een veiligheidsbril.

1. Veel organisch materiaal en bladeren en takken kunnen worden versnipperd. Wijnstokken moeten in korte stukken worden gezaagd (ca. 300 mm) alvorens ze in de versnippertrichter te stoppen omdat ze zich anders om de as kunnen wikkelen. De machine zou daardoor kunnen vastlopen en het zou de bediener ernstig letsel kunnen toebrengen.

Belangrijk!
Versnipper geen voorwerpen zoals glas, metaal, plastic flessen of stenen.

2. Draag bij voorkeur handschoenen bij het invoeren van kleine takken in de versnippertrichter, houd de takken losjes vast en laat ze lang voordat ze de roterende messen raken los.

Belangrijk!
Wees op uw hoede voor een plotselinge ruk wanneer de takken in de versnipperaar worden getrokken.

3. Takken van meer dan 15 mm diameter rammelen in de versnipperaar en kunnen de snipperzeef beschadigen. Deze takken behoren daarom in de hakselbuis te worden gestopt.
4. Bladeren zijn perfect te versnipperen, vooral als ze geen lange stengels bevatten en losjes in de versnippertrichter liggen, forceer ze dus niet door de trechter als deze verstopt raakt. Zet de motor stil en verwijder de opstopping.
5. Houd de ruimte onder de machine in de gaten zodat zich geen versnipperd materiaal ophoopt waardoor dit niet meer weg kan. Dit kan de goede uitwerp verhinderen en ervoor zorgen dat materiaal via de vulopening terug in de machine terecht komt. Verplaats de machine een weinig achterwaarts naarmate het materiaal zich eronder ophoopt.

⚠ Waarschuwing

Plaats nooit handen of voeten onder de machine terwijl deze in werking is.

6. Regel de invoersnelheid van materiaal in de versnippertrichter zo dat de motor niet wordt overbelast. Vermijd met name snelle toerentalwijzigingen door de gelijktijdige invoer van grote hoeveelheden.
7. Indien de snipperzeef verstopt raakt, moet u de motor stilzetten en de R-klem van de pen trekken die onder de riemafschermkap nabij de linkervoerpot uitsteekt. Trek met behulp van de T-greep onder de hakselbuis de pen uit de hakselzeef. Doorgaans gaat de zeef dan naar beneden toe open. Als hij vastzit kan hij voorzichtig omlaag worden getrokken door middel van de versnipperstang of een grote schroevendraaier.

⚠ Waarschuwing

Koppel altijd eerst de bougiekabel los en leg deze uit de buurt van de bougie alvorens de versnippereenheid te roteren.

8. Druk de zeef op zijn plaats zodra een verstopping is verwijderd, en plaats de pen terug. Let erop dat de T-greep horizontaal moet staan om de pen volledig door de zeef te kunnen duwen. Vervang de R-klem.
9. Raakt de zeef herhaaldelijk geblokkeerd bij het versnipperen van materiaal zoals natte bladeren, vermeng dit dan met wat droog materiaal om de zeef vrij te maken of gebruik het staafrooster (optioneel accessoire). Zie hieronder.
10. Verwijder de versnippertrichter na het verwerken van "vezelig" materiaal zoals palmbladeren, en controleer of deze zich binnen de versnipperruimte niet strak om de uiteinden van de rotor hebben gewikkeld. In het laatste geval moet u ze voorzichtig met een platte schroevendraaier verwijderen. Sommige

soorten palmbladeren kunnen in de hakseltrechter worden verwerkt.

Belangrijk!
Als materiaal dat om de as is gewikkeld niet wordt verwijderd, wordt de as heet en "kookt" de olie uit de aslagers. De lagers raken dan defect.

11. GEBRUIK VAN STAAFROOSTER (OPTIONEEL ACCESSOIRE 929304).

Voor het versnipperen van omvangrijk, zacht of nat materiaal zoals onkruid of ander plantaardig materiaal, kan een optioneel staafrooster worden aangeschaft. Om het staafrooster te monteren moet u de motor uitschakelen en de bougiekabel en de riemafschermkap verwijderen. Trek de R-klemmen waarmee de stangen van het versnippergaas zijn vastgemaakt eruit, verwijder de stangen en het gaas. Breng het staafrooster van onderaf aan en steek de stangen door het rooster. Breng de R-klemmen weer aan, plaats de riemafschermkap terug en sluit de bougiekabel weer aan.

Basisonderhoud

BENODIGD GEREEDSCHAP

- a) Twee 13-mm steekringsleutels.
- b) 5-mm inbussleutel.
- c) Engelse sleutel 10".

1. Controleer om de 5-10 bedrijfsuren het oliepeil en vul dit zo nodig bij. Ververs de olie volgens de instructies in het motorboekje.
2. Controleer regelmatig de staat van het motorluchtfilter, vooral in stoffige omgevingen.
3. De aandrijfriem kan na een korte gebruiksperiode uittrekken maar blijft dan gedurende een aanzienlijke periode stabiel tenzij hij wordt overbelast of voortdurend slijt. Als de motor niet nagenoeg horizontaal staat (d.w.z. als hij achterover hangt, weg van de vultrechter) kan de veerdruk op de riem worden verminderd waardoor de riem doorslijt. Om de motor weer waterpas te zetten: Verwijder de riemafschermkap; draai de 4 motormontagebouten los met behulp van twee 13-mm sleutels; zet de motormontageplaat hoger totdat de motor enigszins voorover leunt; trek de motor terug in zijn montagegleuven en draai twee achterste motormontagebouten vast; controleer dat de motor nu waterpas staat; draai de overige motorbouten vast; plaats de riemafschermkap terug.

👉 Let op!
Vervang de aandrijfriem wanneer de motor aan het uiteinde van zijn sleufgaten is gekomen en de riem doorslijt.

4. Als de motor hevig trilt, kan het zijn dat de 10-mm motorzwenkbouten onder de motormontageplaat moeten worden vastgezet. Draai ze niet volledig vast, en controleer daarna of de motor nog zwenkt door hem met de hand op te tillen. Zwenkt hij niet meer, dan slijt de riem door omdat het gewicht van de motor de riem strak houdt. Door de zwenkbouten minstens jaarlijks te verwijderen en in te smeren met vet verlengt u de levensduur van de zwenkbouthouders. Als de nyloc moeren eenmaal enkele keren zijn verwijderd, kunnen deze aan vervanging toe zijn.

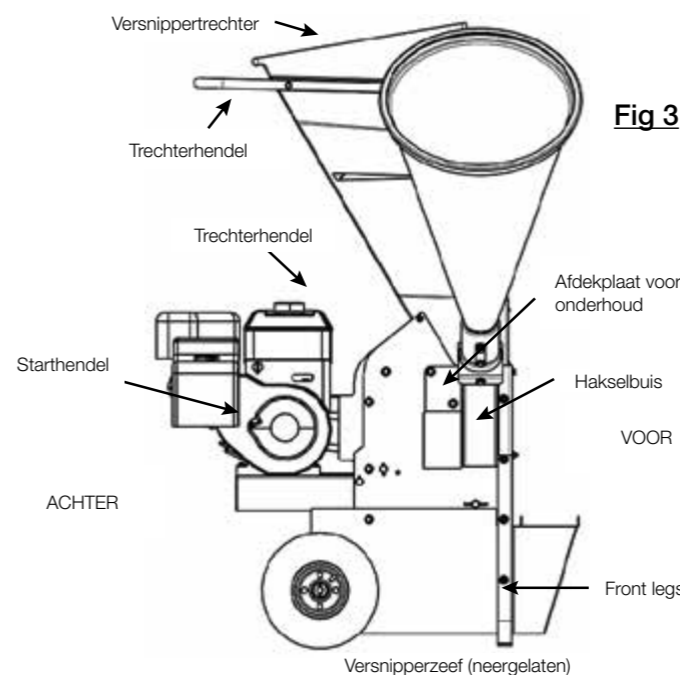


Fig 3

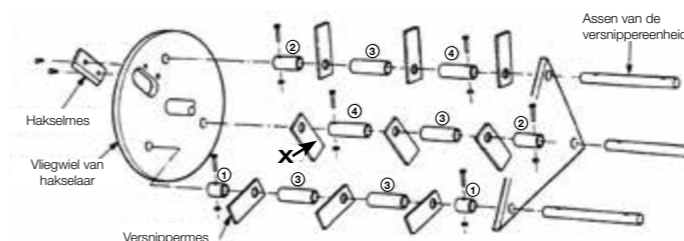
Afnemen van het hakselmes

1. Koppel de bougiekabel los van de bougie en leg hem uit de buurt van de bougie.
2. Verwijder de versnippertrichter.
3. Draai de bovenste bout op de afdekplaat voor onderhoud los en verwijder de onderste bout.
4. Roteer de afdekplaat voor onderhoud om bij de opening onder de plaat te kunnen.
5. Roteer de rotor van de hakselaar-versnipperaar totdat het hakselmes zich tegenover de onderhoudsopening bevindt.
6. Verwijder met een scherp voorwerp zoals een spijker vuil uit de inbusgaten in de twee verzonken bouten van het hakselmes.
7. Verwijder de bouten en het hakselmes met behulp van een inbussleutel en een 13-mm sleutel. [PAS OP VOOR DE SCHERPE RAND VAN HET HAKSELMES.]
8. Slijp het mes onder een hoek van 45°. Slijp van elk mes evenveel af om het evenwicht te behouden. De minimale mesafmetingen zijn:



- Gebruik nooit een gebarsten hakselmes.
9. Gebruik nieuwe nyloc moeren wanneer u het hakselmes vervangt, en nieuwe bouten indien die beschadigd lijken te zijn. Overtuig u ervan dat het mes plat op het oppervlak van het vliegwiel van de hakselaar ligt voordat u het vastzet.

Afnemen van het versnippermes



Modellen met twee hakselmessen. Controleer de standen van de messleuven ten opzichte van de versnipperassen zo dat mes X om zijn as kan draaien zonder de moeren van de schroeven van het versnippermes te raken.

BENODIGD GEREEDSCHAP

- a) 4-mm inbussleutel.
- b) 8-mm sleutel
- c) 1/4" stang of een kruiskopschroevendraaier met een as van 6 mm diameter of kleiner.
- d) Lagertrekker.
- e) Twee 18-mm steekringsleutels.
- f) 1/8" inbussleutel.

Belangrijk!
Controleer de rotorconstructie na elke 20 bedrijfsuren of na aanraking met een vreemd voorwerp op loszittende bouten en gebarsten, versleten of gebogen onderdelen. Vervang versleten of beschadigde onderdelen.

1. De versnippermesses kunnen over 180° worden gedraaid om nieuwe snijvlakken bloot te leggen.
2. Om de messes te verwijderen moet u eerst de versnippertrichter verwijderen en de afdekplaat voor onderhoud vlakbij de hakselbuis openen.
3. Verwijder de bougiekabel van de bougie.
4. Verwijder de riemafschermkap.
5. Lijn één as van de versnippereenheid uit met het gat onder de afdekplaat voor onderhoud.
6. Verwijder de kleine bouten via de versnipperas.
7. Steek een stang of kruiskopschroevendraaier door de kleine opening boven de riemschijf in de linkerplaat en duw de versnipperas naar buiten door de onderhoudsopening.
8. Controleer de staat van de versnipperas. Vervang deze indien hij diepe groeven vertoont (d.w.z. groeven dieper dan 1 mm). Vervang zo ook versleten afstandsstukken (zie onderstaande lengten.)

AFSTANDSSTUK Nr.	LENGTE (mm)	ONDERDEEL Nr.	Nr.
1	18	536043	2
2	36	536042	2
3	51	536045	4
4	51	536044	2

9. Herhaal dezelfde bewerking voor de andere twee versnipperassen.
10. Gebruik nieuwe nyloc moeren op de asbouten wanneer u de assen en messen vervangt, en nieuwe bouten indien die beschadigd of versleten zijn. Gebarsten of erg versleten messen niet hergebruiken.
11. De messes moeten worden gemonteerd zoals afgebeeld. Heel belangrijk is dat mes X, dat niet door een afstandsstuk van het vliegwiel van de hakselaar is gescheiden, op de as moet zitten waardoor het om de as kan roteren zonder tegen de moeren te stoten waarmee het versnippermes wordt vastgehouden.

Demonteren van de motor

Koppel de motor los van de machine door het verwijderen van de riemafschermkap, de aandrijfriem, de riemspanveer en de twee motorzwenkbouten.

Demonteren van de rotor

1. Verwijder de riemschijf van de rotorconstructie door eerst de borgveer te verwijderen, dan de bus Schroef los te draaien en de riemschijf eruit te halen met behulp van een trekker. Spuit

- eventueel wat kruipolie in het schroefgat van de bus om deze gemakkelijker te kunnen verwijderen.
- Verwijder de versnippertrichter.
 - Verwijder de 13-mm schroef uit het uiteinde van de rotoras naast de hakselbus.
 - Haal de vier moeren van de lagerschroeven.
 - Draai alle vier lagerbuschroeven los met behulp van een 3-mm inbusleutel.
 - Sla de versnipperas door middel van een messing (of vergelijkbare) drevel door het lager aan de hakselbuszijde van de machine.
 - Verwijder het lager aan de riemschijfzijde van de machine met behulp van een trekker.
 - Verwijder de hakselmessen of zorg ervoor dat ze nergens dicht bij de hakselbus komen.
 - Tik de motoras van de riemschijfzijde met behulp van een zachte hamer. Wees voorzichtig om de versnippermessen niet te beschadigen.
 - Verwijder het lager aan de hakselbuszijde van de machine met behulp van een trekker.
 - Het rotorsamenstel kan nu worden verwijderd door een van de zijplaten los te koppelen van de machine.

 **Let op!**
Smeer bij het opnieuw monteren Loctite 262 (of iets vergelijkbaars) op de schroef van de riemschijfbus en plaats er steeds een goede borgveer op.

Afnemen van de riem

- Verwijder de riemafschermkap.
- Koppel de bougiekabel los van de bougie.
- Draai de vier motormontagebouten los en schuif de motor naar voren.
- Til de motor omhoog en verwijder de riem.
- Stel de motorpositie na het monteren van een nieuwe riem weer zo af dat hij waterpas zit wanneer de riem is aangespannen.
- Monteer de riemafschermkap.

Storingen oplossen

PROBLEEM	MOGELIJKE OORZA(A)K(EN)	CORRECTIEVE MAATREGEL
Motor start niet	Brandstoftank leeg Filter brandstoftank verstopt Bougiekabel losgekoppeld Defecte bougie Defecte bougie	Vul brandstoftank met correcte brandstof Reinig brandstoftank Sluit kabel aan op bougie Reinig bougie Vervang bougie
Verlies van vermogen; onregelmatige werking	Bougiekabel los Choke is blijven opstaan Brandstofleiding geblokkeerd Brandstoftank bijna leeg Carburateur moet worden afgesteld Vuil/verstopt luchtfilter Brandstoftank vuil	Klem verbindingskabel bougie vast Zet de CHOKE-hendel op NORMAL Reinig brandstofleidingen Vul benzinetank bij Raadpleeg uw lokale verkoper Reinig of vervang luchtfilters Reinig benzinetank
Motor oververhit	Motoroliepeil laag Vuil rondom motor	Vul olie van het juiste type bij Zet machine uit en reinig rondom motor
Machine trilt	Motormontageplaat los Hakselmes beschadigd Vuil verstopt klepelmessen Oneffen ondergrond	Zet montageplaat vast, zie B/O Controleer messen en vervang zo nodig Controleer klepels en verwijder eventueel vuil Verplaats machine naar een effen ondergrond
Machine werpt geen materiaal uit	Gaas uitwerpopening verstopt	Koppel de bougiekabel los en verwijder en reinig het gaas Voeg droog materiaal of een andere materiaalmix toe Voer kleiner volume in de vultrechter in
Machine werkt niet goed	Machine heeft meer tijd nodig om materiaal te verwerken	Controleer of klepelmessen niet gebroken zijn Controleer messen en vervang ze / keer ze 180° om Vervang of slijp hakselmessen Controleer riem op juiste spanning

Technische gegevens

Model:	Hakselaar-Houtversnipperaar GRN 6.0 IC	Model:	Hakselaar-Houtversnipperaar EU GRN 6.0 IC
Motortype:	B&S HRZ, 205 cm ³	Motortype:	B&S HRZ, 205 cm ³
Motorvermogen:	4,03 kW	Motorvermogen:	4,03 kW
Nominaal onbelast toerental:	3600/min.	Nominaal onbelast toerental:	3600/min.
Inhoud benzinetank:	3800 ml	Inhoud benzinetank:	3800 ml
Inhoud oliereservoir:	900 ml	Inhoud oliereservoir:	900 ml
Onderdeelnummer snijmes:	536027 (Hakselmes) & 536030 (Versnippermes)	Onderdeelnummer snijmes:	536027 (Hakselmes) & 536030 (Versnippermes)
Gewicht:	73 kg	Gewicht:	73 kg
Geluidsdruk niveau LPA op oorhoogte bediener:	92,3 dB(A) k=3 dB(A)	Geluidsdruk niveau LPA op oorhoogte bediener:	92,3 dB(A) k=3 dB(A)
Gemeten geluidsvermogensniveau LWA:	112,0 dB(A) k=3 dB(A)	Gemeten geluidsvermogensniveau LWA:	103,8 dB(A) k=3 dB(A)
Gegarandeerd geluidsvermogensniveau LWA (2000/14/EG):	112,0 dB(A)	Gegarandeerd geluidsvermogensniveau LWA (2000/14/EG):	112,0 dB(A)



Ne pas mettre en route cet appareil avant qu'il soit entièrement et correctement assemblé ou avant d'avoir lu et compris les présentes instructions.



Ne pas laisser un enfant utiliser cet appareil.



Ces instructions ne sont données qu'à titre d'information et ne remplacent pas les lois nationales ou régionales en vigueur de quelque façon que ce soit. Contacter les collectivités locales en cas de doute ou de question sur la législation liée au fonctionnement de cet appareil

Conserver ces instructions dans un endroit sûr pour pouvoir vous y référer ultérieurement

Sommaire

Symboles utilisés dans ce manuel	23
Symboles utilisés sur l'appareil	23
Consignes de sécurité importantes	24
Montage	24
Fonctionnement	25
Démarrage	27
Mise en plaquettes	27
Déchiquetage	28
Entretien de base	28
Enlever la lame de mise en plaquettes	29
Enlever la lame de déchiquetage	29
Enlever le moteur	30
Enlever le rotor	30
Enlever la courroie	30
Dépannage	31
Spécifications	31

Symboles utilisés dans ce manuel



Potentiel danger ou situation dangereuse. Le non respect de cette instruction peut occasionner des blessures corporelles ou des dommages matériels.



Information importante sur une bonne manipulation. Le non respect de cette instruction peut occasionner des défaillances de l'appareil.



Information destinée à l'utilisateur. Cette information l'aide à utiliser toutes les fonctions de l'appareil correctement.

Symboles utilisés sur l'appareil



Bien lire et comprendre le manuel de l'utilisateur avant de mettre l'appareil en route.



Eloigner les personnes autres que l'utilisateur. Risque de projections.



Garder les mains et les pieds à distance de l'appareil.



Retirer la bougie.



Toujours porter un casque de protection lors de l'utilisation de l'appareil.



Toujours porter des lunettes de protection lors de l'utilisation de l'appareil.



Toujours porter des gants de protection lors de l'utilisation de l'appareil.



Avertissement ! Attention à ne pas trop approcher les mains des lames rotatives.



Avertissement ! Attention à ne pas trop approcher les pieds des lames rotatives.

Consignes de sécurité importantes

Bien lire et comprendre ce manuel avant d'assembler et d'utiliser l'appareil.

- La garantie du fabricant peut être déclarée nulle et non avenue en cas d'utilisation incorrecte de ce produit.
- L'utilisateur doit comprendre toutes les exigences de sécurité détaillées dans ce manuel avant toute utilisation de l'équipement.
- L'utilisateur est responsable de la sécurité des tierces parties lors de l'utilisation de l'équipement.
- La prise de drogues, de médicaments - prescrits ou non - ou d'alcool peut affecter la capacité de l'utilisateur à bien assembler ou à opérer en toute sécurité cette déchiqueteuse.
- En cas de question sur ces instructions, contactez votre revendeur pour des clarifications avant d'utiliser l'appareil.
- L'appareil doit être assemblé correctement avant l'utilisation. Le manquement aux instructions du présent manuel peut occasionner des blessures corporelles ou des dommages matériels graves.
- Vérifier que l'appareil se trouve sur une surface plane et stable, dans un espace dégagé, avant la mise en route (c.-à-d. à distance des murs et autres objets fixes).
- Vérifier que tous les tuyaux d'alimentation en carburant sont en bon état et ont été correctement installés.
- La déchiqueteuse doit être soigneusement inspectée avant chaque utilisation pour vérifier qu'elle ne présentera pas de danger en fonctionnement.
- Le monoxyde de carbone peut être extrêmement dangereux dans les endroits clos. Ne pas utiliser l'appareil dans un endroit clos, car les gaz d'échappement du moteur comprennent du monoxyde de carbone, un gaz incolore, inodore et insipide.
- Ne pas approcher les mains ou toute autre partie du corps ou vêtement des goulottes d'alimentation, des sorties ou de toute autre pièce en mouvement.
- Avant d'inspecter ou de réparer toute pièce de l'appareil, éteindre l'appareil à la source. Vérifier que toutes les pièces en mouvement ont complètement arrêté de bouger. Débrancher le câble de la bougie.
- Utiliser le carburant adéquat avec cet appareil. Vérifier quel type de carburant doit être utilisé auprès de votre revendeur.
- Ne pas laisser la déchiqueteuse allumée sans surveillance.
- Dégager une zone de sécurité autour de l'appareil dans laquelle les autres personnes ne peuvent pénétrer lors de l'utilisation de la déchiqueteuse.
- Eloigner les enfants et les animaux lors de l'utilisation de l'appareil et pendant qu'il ralentit.
- Ne jamais tenter de déplacer l'appareil lorsqu'il est allumé ou avant qu'il ait le temps de s'arrêter.
- Certaines pièces du moteur chauffent beaucoup et pourraient entraîner des brûlures graves.
- L'utilisateur de l'appareil doit observer en permanence l'entrée des matériaux dans l'appareil.
- Cette personne doit rester à proximité de l'appareil à tout moment lors de son utilisation.
- Vérifier que le moteur est bien ETEINT au niveau de l'accélérateur après toute utilisation ou lorsque l'appareil doit être laissé sans surveillance.
- Le fabricant et ses agents ne seront en aucun cas tenus responsables pour tout matériau alimenté dans l'appareil qui occasionne une gêne physique ou une blessure

Montage

1. Vous devriez avoir dans les deux cartons les éléments suivants:-

Carton 1

- Moteur – Châssis
- Deux pieds en L
- Deux roues
- Un sac en plastique contenant:
 - Manuel de l'utilisateur
 - Garantie
 - Livret moteur
 - Une vis M8 x 20 mm
 - Quatre rondelles pour essieu 16 mm
 - Une rondelle 8 mm x 19 mm
 - Un écrou autobloquant Nyloc 8 mm
 - Deux goupilles fendues

Carton 2

- Une goulotte de déchiquetage avec plaque en métal et rabat en caoutchouc attachés
- Une poignée de goulotte
- Une goulotte de mise en plaquettes avec collier de serrage
- Quatre boulons 35 mm pour la poignée de la goulotte
- Deux rondelles ressort 8 mm
- Huit rondelles 8 mm x 19 mm
- Deux vis M8 x 25 mm
- Six écrous autobloquants Nyloc 8 mm
- Deux bagues d'arrêt de goulotte

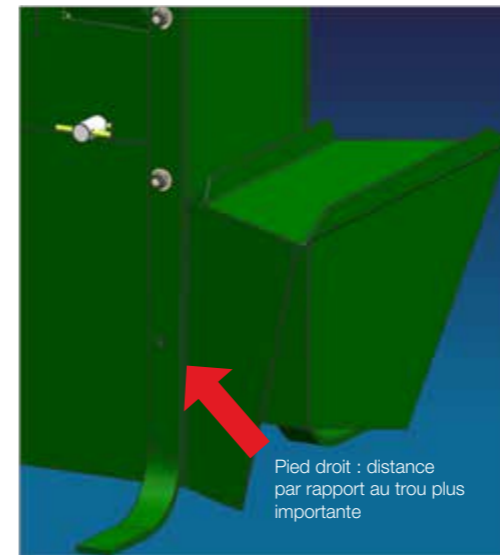
Pour monter l'appareil

1. Sortir l'appareil de son support de transport. Enlever l'essieu.
2. Vérifier qu'il n'y a pas d'huile ou de carburant dans le moteur et faire pivoter doucement le châssis sur le côté gauche.
3. Boulonner le pied droit à sa place. On remarque que le pied droit et le pied gauche ne sont pas les mêmes car les trous sont excentrés différemment (les pieds ont été temporairement fixés du côté opposé pour une plus grande facilité de transport. Ne pas oublier quel pied est lequel lors du déboulonnage pour le remonter du bon côté)

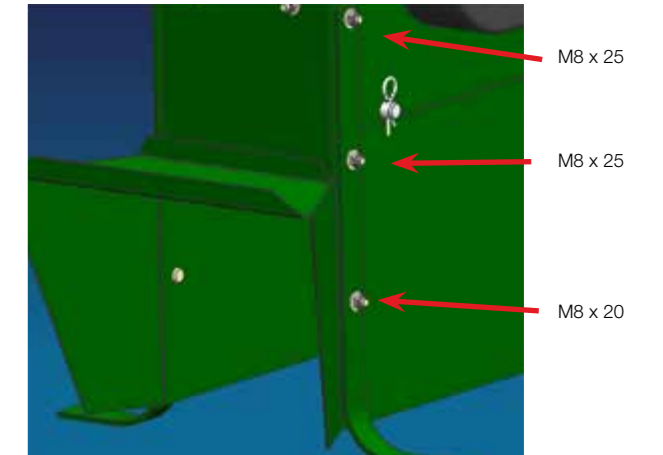


Pied droit : à fixer du côté opposé

Pied gauche : à fixer du côté opposé



Pied droit : distance par rapport au trou plus importante



M8 x 25

M8 x 25

M8 x 20

Fonctionnement

1. Pour déplacer l'appareil, placer un pied derrière une roue et faire basculer l'appareil vers l'arrière jusqu'à ce qu'il perde l'équilibre.



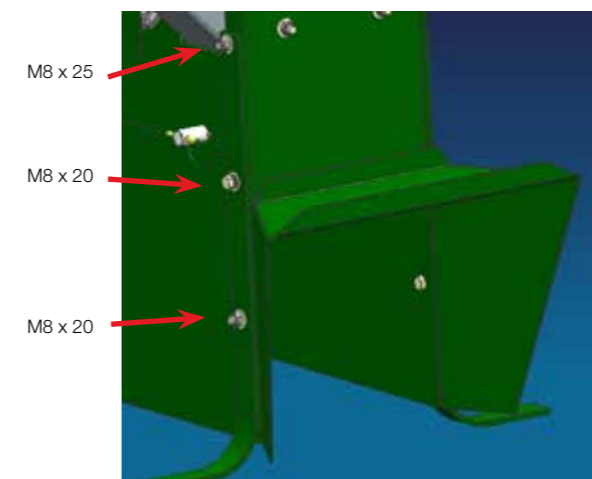
Avertissement

Ne jamais déplacer l'appareil pendant que le moteur tourne.



Fig 1

4. Monter la roue sur l'essieu à l'aide d'une rondelle de chaque côté de la roue. Monter l'essieu et la roue dans le châssis. Tourner doucement l'appareil sur le côté droit et monter l'autre pied et roue comme ci-dessus. Monter la cheville d'essieu.
5. Soulever doucement l'ensemble afin de le faire reposer sur les roues et les pieds.
6. Soulever l'appareil et enlever toute garniture sous la plaque de fixation du moteur.
7. Attacher la poignée de la goulotte de la déchiqueteuse.
8. Attacher la goulotte de déchiquetage au châssis à l'aide de deux vis 8 mm x 20 mm et deux attaches de retenue de la goulotte, avec des rondelles classiques et des rondelles freins sur les vis à l'avant et deux écrous Nyloc à l'extérieur de la goulotte sur les côtés. Voir Fig. 2.
9. Attacher la goulotte de mise en plaquettes au tube de mise en plaquettes et resserrer le collier de serrage (Voir Fig. 2).
10. Ajouter de l'huile et du carburant au moteur (voir livret moteur).



M8 x 25

M8 x 20

M8 x 20

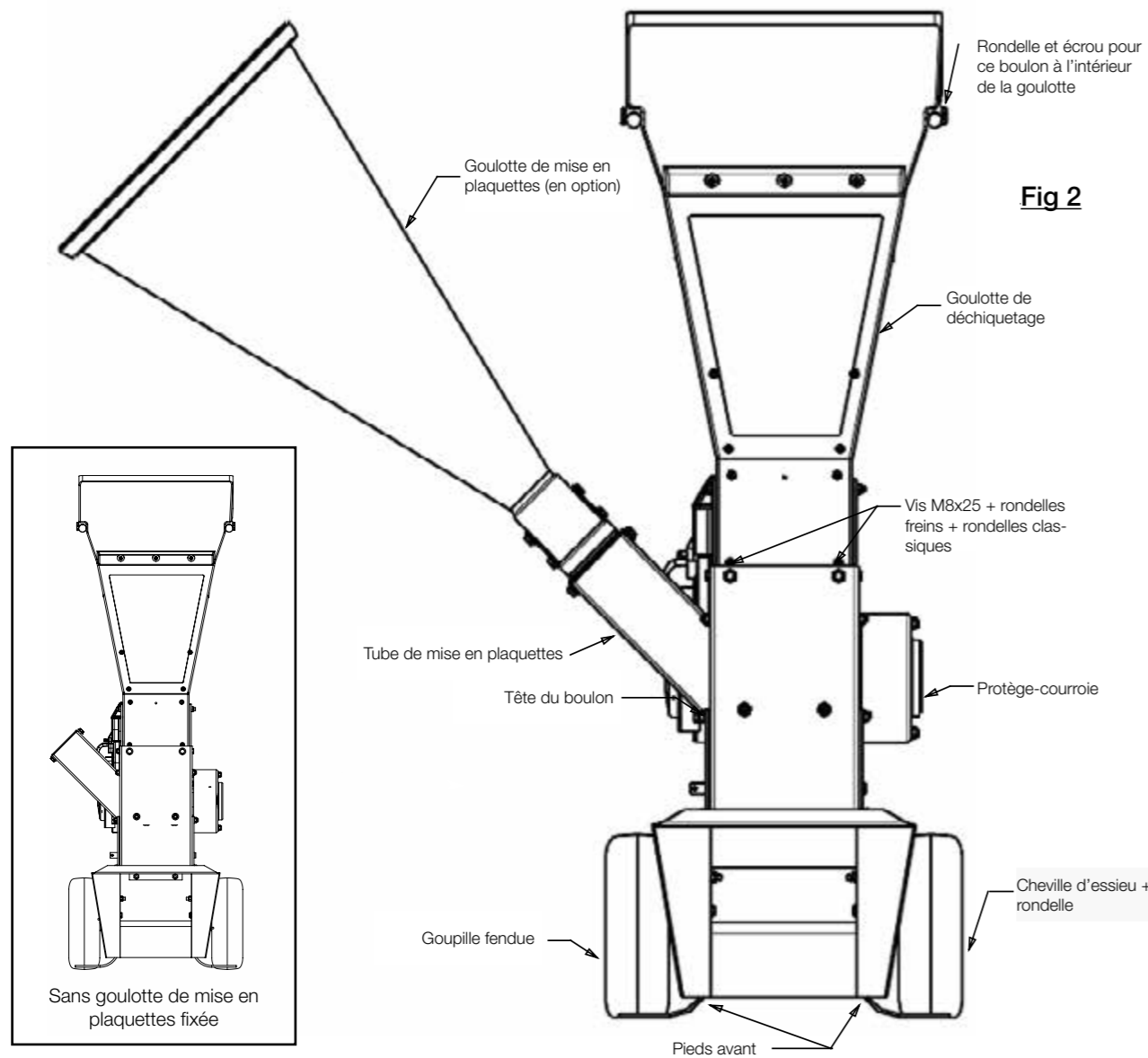


Fig 2

Préparation

- Porter des lunettes de protection à tout moment lors de l'utilisation de l'appareil. Un casque de protection pour les oreilles est également recommandé, en particulier pour les périodes d'utilisation prolongées.
- Ne pas porter de vêtements lâches ou muni de ficelles ou cordelettes qui pendent.
- Avant le démarrage, vérifier que toutes les vis, écrous, boulons et autres fixations sont bien serrés. Remplacer les impressions endommagées ou illisibles portant sur le fonctionnement et les risques potentiels.
- Avertissement**

Prendre des précautions particulières lors de la manipulation des carburants. Ils sont inflammables et leurs vapeurs explosives.

 - N'utiliser que les récipients agréés pour les carburants.
 - Ne jamais enlever le bouchon de carburant ou ajouter du carburant pendant que le moteur tourne. Laisser refroidir le moteur avant d'ajouter du carburant. Ne pas fumer à proximité de l'appareil pendant l'ajout de carburant.
 - Ne jamais ajouter du carburant dans un lieu clos.
 - Ne jamais ranger l'appareil ou les récipients

contenant du carburant dans un lieu clos ou dans un lieu où il y a une flamme nue, comme une chaudière.

- Toujours bien remettre et resserrer le bouchon de carburant après avoir ajouté du carburant.
- Si l'on renverse du carburant, ne pas lancer le moteur avant d'avoir éloigné l'appareil de la zone où l'on a renversé le carburant.
- Si une vidange de carburant est nécessaire, la faire en extérieur.

Sécurité en fonctionnement

FONCTIONNEMENT

- Lorsque l'on alimente l'appareil en matériaux déchiquetables, prendre soin de ne pas inclure de morceaux de métal, de pierres, de bouteilles, de canettes ou autre corps étranger.
- Si le mécanisme de découpe rencontre tout corps étranger ou si l'appareil commence à produire des bruits ou vibrations inhabituelles, éteindre immédiatement le moteur et laisser s'arrêter l'appareil. Débrancher la bougie et suivre les étapes suivantes:
 - Vérifier que l'appareil n'est pas endommagé
 - Réparer toute pièce endommagée ou remplacer par une pièce équivalente
 - Vérifier que toutes les pièces sont bien attachées et resserrer si besoin

Ne pas essayer de réparer l'appareil si l'on n'est pas qualifié

pour le faire.

- Vérifier que les débris et autres ne s'accumulent pas dans le moteur pour éviter tout incendie ou dommage matériel sur le moteur.
- S'assurer que toutes les protections et déflecteurs sont en place et en bon état de marche.
- Toujours se tenir à distance de la zone d'évacuation lors de l'utilisation de cet appareil.
- Garder le visage et le corps à distance des ouvertures d'alimentation et d'évacuation.
- Ne pas trop étendre la main. Ne jamais se tenir plus haut que le bas de l'appareil lors de l'alimentation. Garder un bon équilibre sur les deux pieds à tout moment.
- Do not allow processed material to build up in the discharge zone; this may prevent proper discharge and can result in kickback of material through the feed intake opening.
- Si l'orifice d'alimentation ou d'évacuation de l'appareil se bouche, éteindre l'appareil à la source et débrancher le câble de la bougie avant de nettoyer les débris dans l'orifice. Ne pas oublier que lorsque le mécanisme de démarrage sur les appareils à moteur est actionné, le mécanisme de découpe se met en route.
- Ne pas essayer de changer les réglages maîtres du moteur de l'appareil. Le régulateur contrôle la vitesse de fonctionnement maximale et protège le moteur et toutes les pièces en mouvement des dommages occasionnés par une vitesse excessive. Consulter un réparateur agréé en cas de problème.

ENTRETIEN ET STOCKAGE

- Lorsque cet appareil est arrêté pour une réparation, une inspection ou pour le ranger ou changer un accessoire, s'assurer que le câble de la bougie est débranché de la bougie. S'assurer que toutes les pièces mobiles sont complètement arrêtées. Laisser refroidir l'appareil avant de procéder à l'inspection, au réglage, etc. Procéder à un entretien et à un nettoyage régulier et rigoureux de l'appareil.
- Ranger l'appareil hors de portée des enfants, dans un endroit où les vapeurs d'essence ne peuvent pas atteindre une flamme nue ou étincelle. Avant une période de rangement prolongée, faire tourner le moteur jusqu'à ce qu'il n'y ait plus d'essence. Toujours laisser refroidir l'appareil avant le rangement.
- Lors de l'entretien du mécanisme de découpe, ne pas oublier que bien que la source d'alimentation ne sera pas lancée en raison de la fonction de verrouillage de la protection, le mécanisme de découpe peut tout de même être déplacé par un mécanisme de démarrage manuel.

Démarrage

- S'assurer que la déchiqueteuse se trouve sur une surface plane et stable pour qu'elle ne puisse pas se renverser. Ne pas faire fonctionner l'appareil sur une surface dure telle que du béton, car les matériaux de sortie peuvent rebondir et provoquer des blessures corporelles et dommages matériels.
- Avant de lancer le moteur, vérifier que la sellette du moteur est plus ou moins à l'horizontale. Dans le cas contraire, voir les instructions d'entretien.
- Voir le livret du moteur pour en savoir plus sur comment faire le plein d'huile et de carburant.
- Suivre les instructions pour utiliser le starter (si le moteur est froid).
- Tirer sur le cordon de démarrage jusqu'à ce que le moteur se mette à tourner et ouvrir le papillon du starter après cinq secondes environ.
- Ajuster le papillon des gaz pour obtenir la vitesse de fonctionnement souhaitée.
- Une fois le moteur chaud, il n'est plus nécessaire d'utiliser le

papillon du starter lors du redémarrage.

- Ne pas redémarrer l'appareil lorsqu'il reste des matériaux dans le tube de mise en plaquettes ou la goulotte de déchiquetage. La résistance ainsi créée peut provoquer une usure importante sur la courroie d'entraînement ou endommager le cordon de démarrage du moteur.

Mise en plaquettes

Avertissement

Ne jamais mettre les mains ou les doigts dans le tube de mise en plaquettes. Afin de protéger autrui, ne pas laisser l'appareil sans surveillance pendant qu'il tourne.

- Les branches jusqu'à 65 mm de diamètre peuvent être mises en plaquettes à l'aide du tube de mise en plaquettes sur le côté de l'appareil (50 mm sans tube de mise en plaquettes mais avec la plaque du restricteur). Le bois vert est mis en plaquettes beaucoup plus vite que le bois sec. Ne pas déchiqueter de bois contenant des clous.
- Si l'appareil ne peut pas être placé sur la surface sur laquelle les plaquettes seront étalées, on peut alors mettre une bâche en plastique ou en toile sous l'appareil pour pouvoir ramasser les plaquettes.

Important!

Ne pas déplacer l'appareil lorsque le moteur tourne. L'inclinaison de l'appareil pourrait faire que l'huile ne parvienne correctement au moteur et celui-ci pourrait gripper.

- Si le moteur ralentit de manière notable lors de la mise en plaquettes, réduire la vitesse à laquelle on fait pénétrer les branches dans l'appareil : les plaquettes seront alors plus petites et cela prolongera la durée de vie du dispositif d'entraînement. On peut aussi vérifier si la lame est émoussée.

Remarque!

NE PAS mettre les extrémités des branches de plus de 15 mm de diamètre dans la goulotte de déchiquetage, mais les pousser dans le tube de mise en plaquettes à l'aide d'un second morceau de bois.

- En faisant tourner les branches lors de la mise en plaquettes, on réduit le risque que l'écorce s'enroule autour de l'arbre de rotation et cause un coincement.
- Les branches desquelles partent de multiples petites branches peuvent être mises dans le tube de mise en plaquettes jusqu'à ce qu'il ne reste plus qu'une poignée de petites branches et feuilles. On peut alors jeter cette poignée dans la goulotte de déchiquetage.
- Si la déchiqueteuse coince, le moteur doit être arrêté immédiatement (s'il n'a pas déjà calé). Débrancher le câble de la bougie et l'éloigner de la bougie. Enlever le matériau gênant avant de redémarrer. Pour cela, il est parfois nécessaire d'abaisser la maille de la déchiqueteuse, de tourner le mécanisme de déchiquetage dans son ensemble dans l'autre direction et d'enlever le matériau du tube.

Remarque!

NE PAS continuer la mise en plaquettes si la courroie d'entraînement glisse ou produit de la fumée. Pour régler la courroie, voir les informations d'entretien.

Avertissement

Ne jamais utiliser l'appareil lorsque le petit couvercle destiné à

l'entretien est ouvert ou absent. Cela pourrait entraîner de graves blessures.

Déchetage

Avertissement

- Ne pas pousser de matériaux dans la goulotte de déchetage avec les mains. Utiliser une branche de bois vert ou un morceau de bois tendre.
- Porter des lunettes de protection.

1. De nombreux matériaux organiques autres que les branches et les feuilles peuvent être déchetés. Les pieds de vigne devront être coupés en segments courts (300 mm environ) avant de pouvoir être mis dans la goulotte de déchetage, car ils peuvent sinon s'enrouler autour de l'arbre de l'appareil, ce qui peut en retour coincer l'appareil et occasionner de graves blessures corporelles pour l'utilisateur.

Important!

Ne pas essayer de déchetier des objets en verre ou en métal, des bouteilles en plastiques ou des pierres.

2. Il est conseillé de porter des gants de protection lorsque l'on met de petites branches dans la goulotte de déchetage, de tenir les branches légèrement et de les laisser aller, bien avant qu'elles ne touchent les lames rotatives.

Important!

Attention aux secousses brutales possibles lorsque les branches sont avalées par la déchiqueteuse.

- Les branches de plus de 15 mm de diamètre tournent bruyamment à l'intérieur de la déchiqueteuse pendant longtemps et peuvent ainsi endommager le crible de la déchiqueteuse. Ces branches doivent plutôt être mises dans le tube de mise en plaquettes.
- Les feuilles sont facilement déchetées, surtout si elles ne contiennent pas de longues branches et si elles sont mises graduellement dans la goulotte de déchetage, c'est-à-dire si on ne les pousse pas de force dans la goulotte si cette dernière devient bouchée. Si c'est le cas, arrêter le moteur et dégager la goulotte.
- Continuer de surveiller le dessous de l'appareil pour vérifier que les matériaux déchetés ne s'accumulent pas trop, ce qui pourrait faire que les nouveaux matériaux déchetés ne peuvent plus sortir de l'appareil. Ceci pourrait empêcher la bonne sortie des matériaux et provoquer un recul brutal des matériaux dans l'ouverture d'alimentation. Reculer un peu l'appareil lorsque les matériaux s'accumulent dessus.

Avertissement

Ne jamais mettre les mains ou les pieds sous l'appareil lorsque le moteur tourne.

- Surveiller la vitesse d'alimentation des matériaux dans la goulotte de déchetage pour ne pas surcharger le moteur. Essayer surtout d'éviter les changements rapides dans la vitesse du moteur dus à une arrivée simultanée de matériaux trop importante.
- Si le crible coince, arrêter le moteur et retirer la goupille cylindrique fendue de la broche qui sort de sous le protège-courroie près du pied gauche avant. A l'aide de la poignée en T sous le tube de mise en plaquettes, retirer la broche du crible de la déchiqueteuse. En général, le crible s'ouvre alors vers le

bas. S'il est coincé, on peut l'abaisser doucement à l'aide de la tige de la déchiqueteuse ou d'un gros tournevis.

Avertissement

Ne pas faire pivoter le mécanisme de déchetage avant d'avoir débranché le câble de la bougie en éloignant le câble de la bougie.

- Une fois dégagé, remettre le crible en place en le poussant et remettre la broche en place. Noter que la poignée en T doit être horizontale pour que la broche puisse passer entièrement à travers le crible. Remettre la goupille cylindrique fendue en position.
- Si le crible se bloque à répétition lorsque l'on déchiquette des matériaux tels que des feuilles mouillées, essayer d'ajouter des matériaux secs aux matériaux humides pour nettoyer le crible, ou utiliser la grille (en option). Voir ci-dessous.
- Après avoir déchiqueté des matériaux « filandreux » comme des feuilles de palmiers, ôter la goulotte de déchetage et vérifier que ceux-ci ne se sont pas enroulés fermement autour des extrémités du rotor à l'intérieur de la chambre. Si c'est le cas, les enlever soigneusement à l'aide d'un tournevis plat. Les feuilles de certaines espèces de palmiers peuvent être mises dans le tube de mise en plaquettes.

Important!

Si les matériaux enroulés autour de l'arbre de l'appareil ne sont pas enlevés, l'arbre chauffe et fait s'évaporer l'huile des paliers, qui arrêtent alors de fonctionner.

11. UTILISATION DE LA GRILLE (EN OPTION) (929304).

Pour déchetier des matériaux mous, volumineux ou humides, comme les mauvaises herbes ou matières végétales, une grille peut également être achetée. Pour installer la grille, éteindre le moteur, enlever le câble de la bougie et le protège-courroie. Retirer les deux goupilles cylindriques fendues qui attachent les tiges de la maille de la déchiqueteuse puis enlever les tiges et la maille. Insérer la grille depuis le dessous et insérer les tiges à travers la grille. Remettre en place les goupilles cylindriques fendues, le protège-courroie et le câble de la bougie.

Entretien de base

OUTILS NECESSAIRES

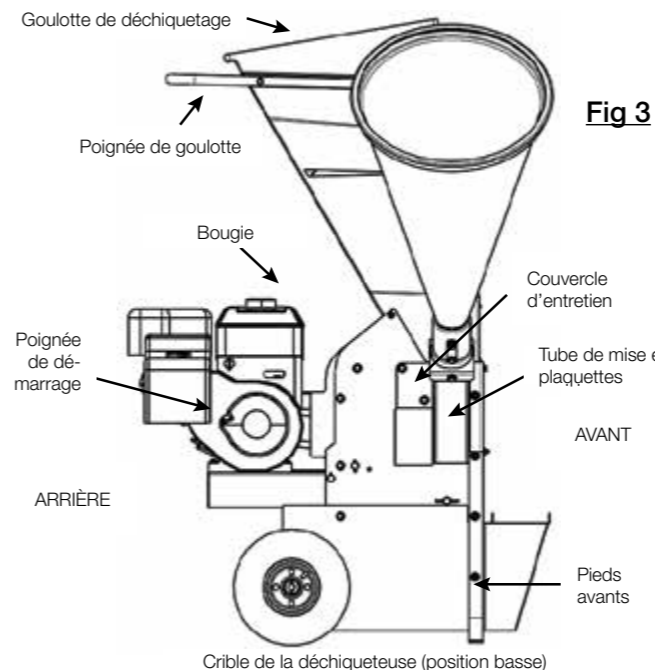
- Deux clés plates 13 mm.
 - Clé à six pans 5 mm.
 - Clé à molette 10 po.
- Toutes les 5 à 10 heures de fonctionnement, vérifier le niveau d'huile et remettre de l'huile si besoin. Effectuer les vidanges en conformité avec les instructions du livret du moteur.
 - Vérifier régulièrement l'état du filtre à air du moteur, surtout dans les milieux poussiéreux.
 - La courroie d'entraînement peut s'étirer après une courte période d'utilisation, mais devrait ensuite se stabiliser pendant une période prolongée si elle n'est pas surchargée ou si elle ne glisse pas constamment. Si le moteur n'est pas à peu près horizontal (c'est-à-dire s'il penche vers l'arrière dans la direction opposée à la goulotte), alors la tension de ressort sur la courroie est parfois réduite, ce qui fait glisser la courroie. Pour faire en sorte que le moteur soit bien horizontal, enlever le protège-courroie, desserrer les quatre boulons de montage du moteur à l'aide des deux clés 13 mm, élever la sellette du moteur jusqu'à ce que le moteur penche légèrement vers l'avant, tirer le moteur vers l'arrière pour qu'il repose de nouveau dans ses emplacements de montage et resserrer les deux boulons de montage arrière du moteur. Vérifier que le

moteur est maintenant bien horizontal, resserrer les autres boulons du moteur et remettre en place le protège-courroie.

Remarque!

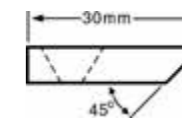
Remettre en place la courroie d'entraînement lorsque le moteur a atteint l'extrémité de ses fentes et que la courroie glisse.

- Si le moteur vibre énormément, les boulons à œil 10 mm du moteur, sous la sellette du moteur, doivent peut-être être resserrés. Ne pas les serrer entièrement, et après le resserrage vérifier que le moteur pivote encore lorsqu'on le soulève à la main. S'il ne pivote pas, la courroie glissera, car le poids du moteur garde la courroie serrée. En enlevant les boulons à œil et en les graissant une fois par an au moins, on augmente la durée de vie des bagues pivots. De nouveaux écrous Nyloc sont parfois nécessaires après les avoir enlevés quelques fois.



Enlever la lame de mise en plaquettes

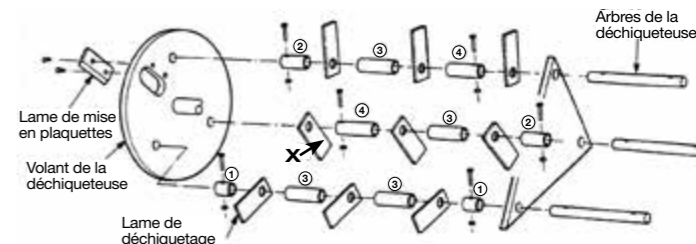
- Débrancher le câble de la bougie en éloignant le câble de la bougie.
- Enlever la goulotte de déchetage.
- Desserrer le boulon supérieur du couvercle d'entretien et enlever le boulon inférieur.
- Faire pivoter le couvercle d'entretien pour avoir accès au trou situé sous le couvercle.
- Faire pivoter le rotor de la déchiqueteuse jusqu'à ce que la lame de mise en plaquettes se trouve en face de l'orifice d'entretien.
- A l'aide d'un objet pointu, comme un clou par exemple, enlever les débris des trous de clés à six pans dans les deux boulons à tête plate de la lame de mise en plaquettes.
- Enlever les boulons et la lame de mise en plaquettes à l'aide d'une clé à six pans et d'une clé plate 13 mm. [ATTENTION AU BORD AIGUISÉ DE LA LAME DE MISE EN PLAQUETTES.]
- Aiguiser la lame à 45°. Affûter chaque lame de manière égale pour conserver l'équilibre. Les dimensions minimales de lame sont les suivantes:



Ne jamais utiliser une lame de mise en plaquettes fissurée.

- Utiliser des écrous Nyloc neufs lors du remplacement de la lame de mise en plaquettes et des boulons neufs si ceux-ci semblent endommagés. Vérifier que la lame repose à plat sur la surface du volant de la déchiqueteuse avant de resserrer.

Enlever la lame de déchetage



Modèles munis de deux lames de mise en plaquettes. Vérifier les positions des emplacements de lames par rapport aux arbres de la déchiqueteuse de sorte à ce que la lame X tourne autour de son arbre sans heurter les écrous de vis de la lame de mise en plaquettes.

OUTILS NECESSAIRES

- Clé à six pans 4 mm.
- Clé de 8 mm.
- Tige 1/4 po ou tournevis cruciforme avec un diamètre de 6 mm ou moins.
- Extracteur de palier.
- Deux clés plates 18 mm.
- Clé à six pans 1/8 po.

Important!

Vérifier que le rotor n'a pas de boulons mal attachés ou fissurés ou de pièces usées ou pliées, toutes les 20 heures d'utilisation ou après tout impact par un corps étranger. Remplacer les pièces usées ou endommagées.

- Les lames de déchetage peuvent être tournées à 180° pour pouvoir utiliser des surfaces de découpe neuves.
- Pour ôter les lames, enlever d'abord la goulotte de déchetage et ouvrir le couvercle d'entretien près du tube de mise en plaquettes.
- Enlever le câble de la bougie.
- Enlever le protège-courroie.
- Aligner un arbre de la déchiqueteuse sur le trou correspondant sous le couvercle d'entretien.
- Enlever les petits boulons à travers l'arbre de la déchiqueteuse.
- Insérer une tige ou un tournevis cruciforme à travers le petit trou au-dessus de la poulie dans la plaque gauche et pousser sur l'arbre de la déchiqueteuse pour la faire sortir à travers l'orifice d'entretien.
- Vérifier l'état de l'arbre de la déchiqueteuse. S'il est très rainuré (rainures de plus de 1 mm de profondeur), le remplacer. Remplacer de la même manière les cales usées (voir longueurs ci-dessous.)

N° de la CALE	LONG (mm)	N° PIECE	N°
1	18	536043	2
2	36	536042	2
3	51	536045	4
4	51	536044	2

- Répéter cette procédure pour les deux autres arbres de la déchiqueteuse.
- Lors du remplacement des arbres et lames, utiliser des écrous Nyloc neufs sur les boulons de l'arbre et mettre en place des boulons neufs si ces derniers sont usés ou endommagés. Ne pas réutiliser des lames fissurées ou très usées.
- Les lames doivent être installées comme il est décrit. Il est particulièrement important que la lame X non séparée du volant de la déchiqueteuse par une cale doit être sur l'arbre, ce qui lui permet de tourner sur l'arbre sans endommager les écrous maintenant la lame de mise en plaquettes en place.

Enlever le moteur

Débrancher le moteur de l'appareil en enlevant le protège-courroie, la courroie d'entraînement, le ressort de tension de la courroie et les deux boulons à œil du moteur.

Enlever le rotor

- Enlever la poulie du rotor en enlevant d'abord l'anneau de retenue puis en desserrant la vis de bossage et en ôtant la poulie à l'aide d'un extracteur. On peut utiliser du Penetrene par injection dans le trou de la vis de bossage pour se faciliter la tâche.
- Enlever la goulotte de déchiquetage.
- Enlever la vis 13 mm de l'extrémité de l'arbre du rotor à côté du tube de mise en plaquettes.
- Récupérer les quatre écrous des vis de pivot.
- Desserrer les quatre vis de bossage de palier à l'aide d'une clé à six pans 3 mm.
- A l'aide d'un chasse-goupille en étain (ou équivalent), faire passer l'arbre de la déchiqueteuse en partie à travers le palier du côté du tube de mise en plaquettes de l'appareil.
- Enlever le palier du côté de la poulie de l'appareil à l'aide d'un extracteur.
- Enlever les lames de mise en plaquettes ou vérifier que les lames ne sont pas à proximité du tube de mise en plaquettes.
- Tapoter l'arbre du rotor depuis le côté de la poulie à l'aide d'un marteau doux. Faire attention à ne pas endommager les lames de mise en plaquettes.
- Enlever le palier du côté du tube de mise en plaquettes de l'appareil à l'aide d'un extracteur.
- Le rotor peut maintenant être enlevé en détachant l'une des plaques latérales de l'appareil.



Remarque!

Lors du réassemblage, mettre de la colle Loctite 262 (ou équivalent) sur la vis de bossage de la poulie et toujours vérifier qu'il y a un bon anneau de retenue.

Enlever la courroie

- Enlever le protège-courroie.
- Débrancher le câble de la bougie.
- Desserrer les quatre boulons d'assemblage du moteur et faire glisser le moteur vers l'avant.
- Soulever le moteur et enlever la courroie.
- Lors de l'installation d'une nouvelle courroie, il faut re-régler

la position du moteur de sorte qu'il soit horizontal lorsque la courroie est tendue.

- Rattacher le protège-courroie.

Dépannage

PROBLEME	CAUSE(S) POSSIBLE(S)	SOLUTION
Le moteur ne démarre pas	Réservoir d'essence vide Filtre réservoir bouché Câble de la bougie débranché Bougie défaillante Bougie défaillante	Remplir le réservoir d'essence avec le carburant adapté Nettoyer le réservoir du carburant Brancher le câble sur la bougie Nettoyer la bougie Remplacer la bougie
Perte de puissance ; fonctionnement irrégulier	Câble de la bougie mal branché Appareil marche encore avec étrangleur Conduit du carburant bloqué Réservoir du carburant presque vide Carburateur doit être réglé Filtre à air sale/bouché Réservoir d'essence sale	Rebrancher correctement le câble de la bougie Mettre le levier d'étrangleur sur NORMAL Nettoyer conduits de carburant REMPLIR le réservoir du carburant Consulter son distributeur Nettoyer ou remplacer les filtres à air Nettoyer le réservoir d'essence
Moteur en surchauffe	Niveau d'huile bas Débris autour du moteur	Remettre de l'huile du type adapté Eteindre l'appareil et nettoyer les environs du moteur
L'appareil vibre	Sellette du moteur mal arrimée Lame de mise en plaquettes endommagée Débris coincés dans les lames des fléaux Surface inégale	Resserrer la sellette, voir manuel d'utilisation Vérifier l'état des lames et remplacer si besoin Vérifier les fléaux et enlever tout débris Déplacer l'appareil vers une surface plane
L'appareil n'évacue rien	Maille d'évacuation bouchée	Débrancher le câble de la bougie puis enlever et nettoyer la maille Ajouter des matériaux secs ou différents Réguler la vitesse d'alimentation dans la goulotte
Mauvaise performance de l'appareil	L'appareil prend plus de temps à traiter les matériaux	Vérifier que les lames des fléaux ne sont pas brisées Vérifier l'état des lames des fléaux et remplacer/retourner à 180° Remplacer ou aiguiser les lames de mise en plaquettes Vérifier la bonne tension de la courroie

Spécifications

Modèle :	Déchiqueteuse GRN 6.0 IC	Modèle :	Déchiqueteuse EU GRN 6.0 IC
Moteur :	B&S HRZ, 205 cm ³	Moteur :	B&S HRZ, 205 cm ³
Puissance moteur :	4,03 kW	Puissance moteur :	4,03 kW
Régime nominal à vide :	3600/min	Régime nominal à vide :	3600/min
Capacité réservoir carburant :	3800 ml	Capacité réservoir carburant :	3800 ml
Capacité réservoir d'huile :	900 ml	Capacité réservoir d'huile :	900 ml
Référence lame de découpe :	536027 (lame mise en plaquettes) 536030 (lame déchiquetage)	Référence lame de découpe :	536027 (lame mise en plaquettes) 536030 (lame déchiquetage)
Poids :	73 kg	Poids :	73 kg
Niveau sonore LPA pour l'utilisateur :	92,3 dB(A) k=3 dB(A)	Niveau sonore LPA pour l'utilisateur :	92,3 dB(A) k=3 dB(A)
Puissance acoustique mesurée LWA :	112,0 dB(A) k=3 dB(A)	Puissance acoustique mesurée LWA :	103,8 dB(A) k=3 dB(A)
Puissance acoustique garantie LWA (2000/14/CE) :	112,0 dB(A)	Puissance acoustique garantie LWA (2000/14/CE) :	112,0 dB(A)



Dieses Gerät nur dann betreiben, wenn es korrekt zusammengebaut worden ist und nachdem Sie diese Hinweise durchgelesen und verstanden haben.

Kindern sollte es nicht erlaubt sein, dieses Gerät zu betreiben.



Diese Anweisungen sollten als allgemeine Hinweise verstanden werden und ersetzen auf keinen Fall nationale oder örtliche Vorschriften. Für einschlägige Gesetze bezüglich der Inbetriebnahme dieses Gerätes, wenden Sie sich an die örtlichen Behörden.

Bewahren Sie diese Hinweise gut auf, damit Sie sie immer zur Hand haben, wenn Sie sie brauchen

Inhaltsverzeichnis

Symbole in dieser Betriebsanleitung	33
Symbole am Gerät	33
Wichtige Sicherheitsinformationen	34
Zusammenbau	34
Betriebshinweise	35
Start	37
Häckseln	37
Schreddern	38
Grundlegende Wartung	39
Ausbau des Häckselmessers	39
Ausbau der Schreddermesser	39
Ausbau des Motors	40
Ausbau des Rotors	40
Ausbau des Riemens	40
Fehlersuche	41
Technische Informationen	41

Symbole in dieser Betriebsanleitung



Mögliche Gefahr oder Gefahrensituation. Nichtbefolgung dieses Hinweises kann zu Verletzungen oder Sachschäden führen.



Wichtige Informationen für sachgemäßen Umgang. Nichtbefolgung dieses Hinweises kann zu Störungen am Gerät führen.



Informationen für den Betreiber. Mit Hilfe dieser Informationen können alle Funktionen korrekt benutzt werden.

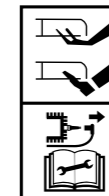
Symbole am Gerät



Vor Inbetriebnahme des Geräts diese Betriebsanleitung sorgfältig durchlesen und verstehen.



Umstehende fern halten. Es besteht die Gefahr, dass Gegenstände hochgeschleudert werden können.



Hände und Füße fern halten.



Zündkerze entfernen.



Beim Betrieb des Geräts immer Ohrenschutz tragen



Beim Betrieb des Geräts immer Augenschutz tragen



Beim Betrieb des Geräts immer Sicherheitshandschuhe tragen



Achtung! Hände und Füße von rotierenden Messern fern halten.



Achtung! Füße von rotierenden Messern fern halten.

Wichtige Sicherheitsinformationen

Vor dem Zusammenbau und Betrieb dieses Geräts bitte Betriebsanleitung sorgfältig durchlesen und verstehen.

- Bei falschem Betrieb dieses Geräts kann die Garantie des Herstellers erlöschen.
- Vor der Inbetriebnahme dieses Geräts muss der Betreiber mit allen in dieser Anleitung dargelegten Sicherheitsvorschriften vertraut sein.
- Wenn das Gerät in Betrieb ist, ist der Betreiber für die Sicherheit Dritter verantwortlich.
- Häcksler-Schredder nicht unter dem Einfluß von Alkohol, verschreibungspflichtigen oder rezeptfreien Medikamenten betreiben, da diese die Fähigkeit, das Gerät vorschriftsmäßig zusammenzubauen oder sicher zu betreiben, beeinträchtigen können.
- Bei Unklarheiten zu dieser Betriebsanleitung wenden Sie sich vor dem Betrieb dieses Geräts an Ihren örtlichen Fachhändler.
- Das Gerät muss vor dem Betrieb korrekt zusammengebaut werden. Nichtbefolgung der Betriebsanleitung kann zu ernsthaften Sachschäden oder Verletzungen führen.
- Vor dem Betrieb dafür sorgen, dass das Gerät auf einer ebenen und sicheren Oberfläche steht und dass sich genügend Freiraum um das Gerät befindet (z.B. nicht nahe an einer Wand oder einem anderen unbeweglichen Hindernis).
- Dafür sorgen, dass sich alle Kraftstoffleitungen in gutem Zustand befinden und korrekt angebracht sind.
- Vor jedem Gebrauch muss der Häcksler-Schredder sorgfältig auf Betriebssicherheit überprüft werden.
- In geschlossenen Räumen kann Kohlenmonoxid äußerst gefährlich werden. Gerät nicht in geschlossenen Räumen betreiben, da Motorabgase Kohlenmonoxid enthalten, welches farblos, geruchlos und geschmacklos ist.
- Hände, andere Körperteile oder Kleidung nicht in die Einschubschächte, in den Auswurfbereich oder in die Nähe anderer beweglicher Teile bringen.
- Vor der Inspektion oder Wartung von allen Geräteteilen, Stromzufuhr abstellen. Dafür sorgen, dass alle beweglichen Teile völlig zum Stillstand gekommen sind. Zündkabel von der Zündkerze abziehen.
- Die für dieses Gerät vorgeschriebene korrekte Kraftstoffsorte verwenden. Bezüglich der für dieses Gerät vorgeschriebenen Kraftstoffsorte wenden Sie sich an Ihren Händler.
- Bei laufendem Motor, Häcksler-Schredder nicht unbeaufsichtigt lassen.
- Während der Häcksler-Schredder in Betrieb ist, dafür sorgen, dass Umstehende einen sicheren Abstand wahren.
- Während der Häcksler-Schredder in Betrieb ist, oder zum Stillstand kommt, dafür sorgen, dass sich Kinder und Haustiere in einem sicheren Abstand befinden.
- Gerät nie von der Stelle rücken und kippen, wenn es in Betrieb ist oder bevor es völlig zum Stillstand gekommen ist.
- Manche Motorteile erhitzen sich stark und können ernsthafte Verbrennungen verursachen.
- Der Betreiber dieses Geräts muss sich konstant auf das zu verarbeitende Material konzentrieren.
- Während des Betriebs darf das Gerät vom Betreiber zu keiner Zeit unbeaufsichtigt gelassen werden.
- Nach dem Betrieb oder wenn das Gerät unbeaufsichtigt ist, dafür sorgen, dass der Motor beim Gashebel auf AUS gestellt ist.
- Der Hersteller oder dessen Vertreter übernehmen keine Haftung für irgendwelches Material, das verarbeitet wird und zu persönlichen Beschwerden oder Verletzungen führt

Bausatz

1. 1. Folgende Einzelteile sollten sich in den zwei Kartons befinden:-

- **Karton 1**
- Motor – Gehäuse Bausatz
- Zwei L-förmige Beine
- Zwei Räder
- Ein Plastikbeutel beinhaltet
 - eine Betriebsanleitung
 - eine Garantiekarte
 - eine Motorbroschüre
 - Eine M8 x 20mm Schraube
 - Vier 16mm Achsenbeilagscheiben
 - Eine 8mm x 19mm Beilagscheibe
 - Eine 8mm Nyloc-Mutter
 - Zwei Splints

Karton 2

- Ein Schredderschacht mit angebrachter Gummiklappe und Blechplatte
- Ein Schachtgriff
- Ein Häckseltrichter mit Klemme
- Vier 35mm Schrauben für den Schachtgriff
- Zwei 8mm Federscheiben
- Acht 8mm x 19mm Beilagscheiben
- Zwei M8 x 25mm Schrauben
- Sechs 8mm Nyloc-Muttern
- Zwei Schachthalterungen

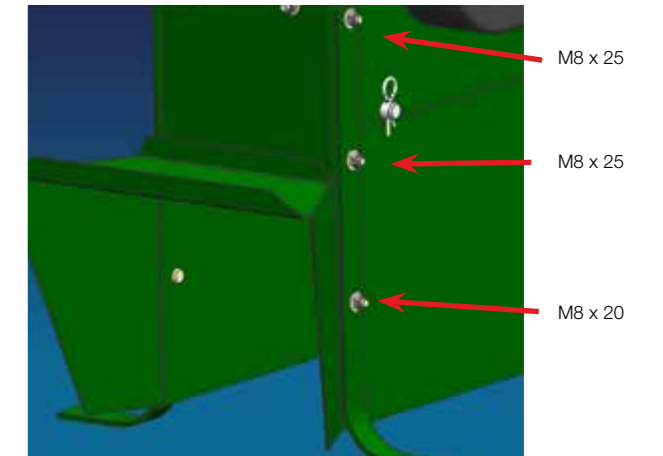
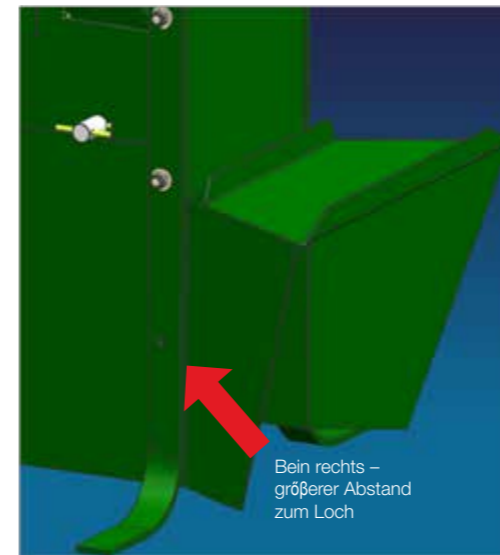
Zusammenbau

1. Gerät aus der Transportverpackung heben. Radachse herausnehmen.
2. Überprüfen, dass sich kein Öl oder Kraftstoff im Motor befindet und Gehäuse vorsichtig auf die linke Seite drehen.
3. Das rechte Bein in der richtigen Position einschrauben. Beachten, dass je ein Bein für rechts oder links vorgesehen ist, da sich die Löcher nicht genau in der Mitte befinden (zum Versand wurden die Beine behelfsmäßig auf der gegenüberliegenden Seite angebracht - dies beim Auseinandernehmen nicht vergessen und auf die korrekte Seite achten).



Bein links – auf der gegenüberliegenden Seite anbringen

Bein rechts – auf der gegenüberliegenden Seite anbringen



Betriebsanweisungen

1. Wenn das Gerät bewegt werden soll, einen Fuß hinter ein Rad stellen und Gerät nach hinten neigen, bis es aus dem Gleichgewicht kippt.



Achtung

Gerät nie bei laufendem Motor bewegen.



Abb 1

2. Auf unebenem oder abschüssigen Terrain, Griff fest mit beiden Händen auf jeder Seite halten, um Umkippen zu vermeiden. In manchen Fällen ist es einfacher, das Gerät hinter sich zu ziehen.
3. Wenn man die Einschubschächte entfernt, passt das Gerät in größere Kombiwägen, aber, wenn Öl und Kraftstoff im Motor sind, muss es festgezurr in aufrechter Position stehen.

4. Mit je einer Beilagscheibe auf jeder Seite des Rades ein Rad auf der Achse anbringen. Achse und Rad in das Gehäuse einführen. Maschine vorsichtig auf die rechte Seite drehen und das andere Bein und Rad wie oben beschrieben anbringen. Mit dem Achssplint sichern.



5. Den Bausatz vorsichtig anheben, so dass er auf den Rädern und Beinen steht.

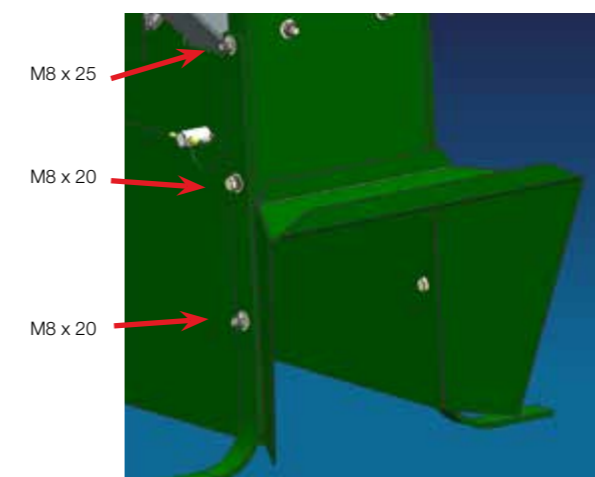
6. Motor anheben und Packmaterial, das sich unter der Motormontagefläche befindet, entfernen.

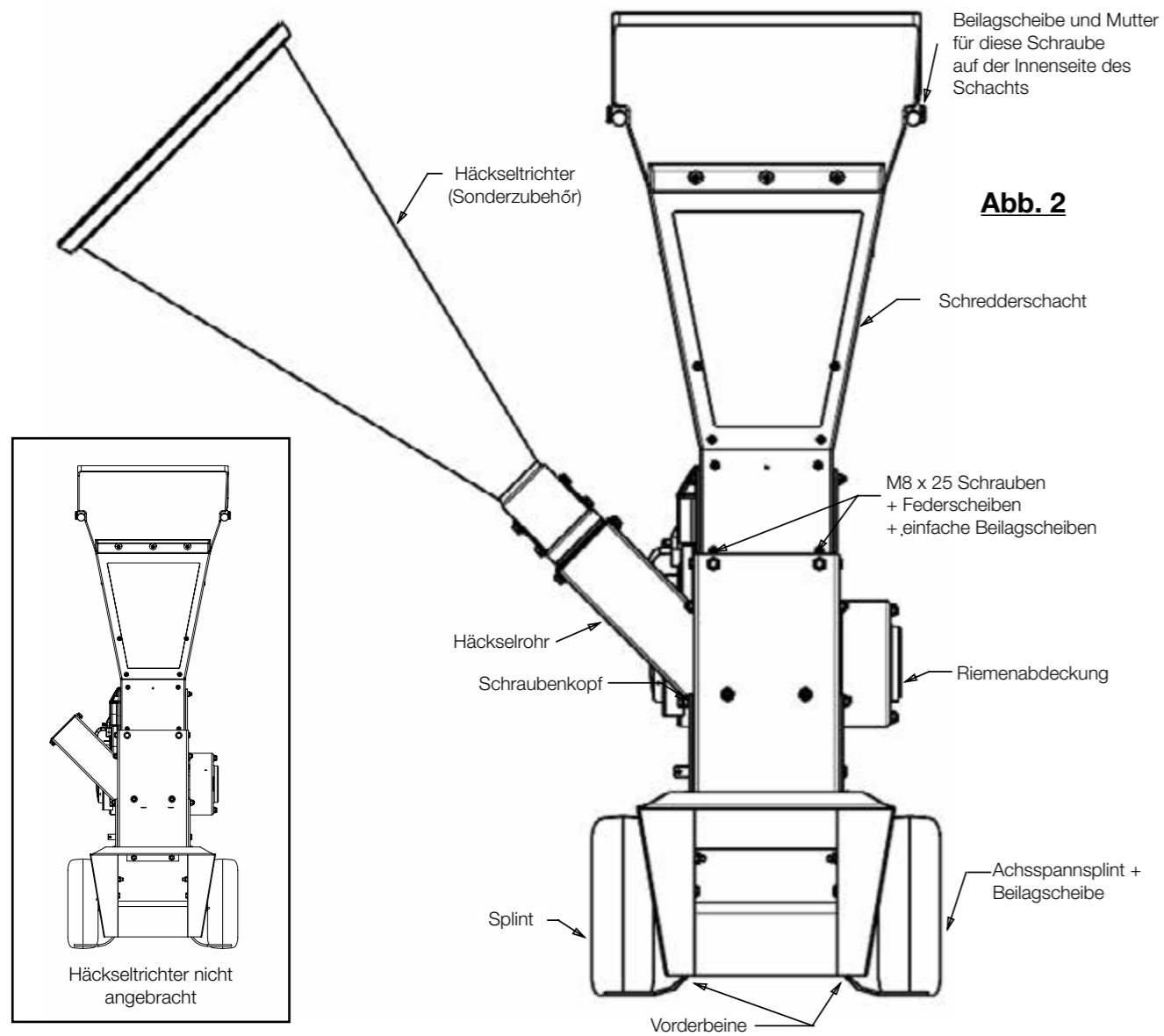
7. Griff am Schredderschacht befestigen.

8. Mit den zwei 8 mm x 20 mm Schrauben und zwei Schachthalterungen Schredderschacht am Gehäuse anbringen. Bei den vorderen Schrauben einfache Beilagscheiben und Federscheiben benutzen und außen, an den Seiten des Schachts, zwei Nyloc-Muttern. Siehe Abb. 2.

9. Den Häckseltrichter am Häckselrohr anbringen und die Klemme festziehen (siehe Abb. 2).

10. Öl und Kraftstoff in den Motor füllen (siehe Motorbroschüre)





Vorbereitung

1. Beim Betrieb des Geräts immer Sicherheitsbrille tragen. Ohrschutz wird ebenfalls empfohlen, besonders bei längeren Betriebszeiten.
2. Lose sitzende Kleidung oder Kleidung mit hängenden Kordeln oder Bändern vermeiden.
3. Vor dem Start des Geräts überprüfen, dass alle Schrauben, Muttern, Bolzen und anderen Halterungen ordentlich fest sitzen. Beschädigte oder unleserliche Warnschilder und Betriebsaufkleber ersetzen.
4. **Achtung** Mit Kraftstoffen besonders vorsichtig umgehen. Sie sind leicht entflammbar und die Dämpfe sind explosiv.
 - a) Nur vorschriftsmäßige Behälter für Kraftstoff benutzen.
 - b) Bei laufendem Motor nie Benzintankdeckel entfernen oder Kraftstoff einfüllen. Vor dem Nachfüllen Motor abkühlen lassen. Beim Auftanken nicht rauchen.
 - c) Motor nie in geschlossenen Räumen auftanken.

- d) Gerät oder Kraftstoffbehälter nie in geschlossenen Räumen aufbewahren, in denen sich eine offene Flamme, z.B. ein Heißwassergerät, befindet.
- e) Nach dem Auftanken Benzintankdeckel immer fest und sicher aufschrauben.
- f) Motor nicht starten, wenn Benzin verschüttet wurde. Gerät wegrücken und an anderer Stelle starten.
- g) Wenn der Benzintank entleert werden soll, sollte das im Freien vorgenommen werden.

Betriebssicherheit

BETRIEB

1. Schnittgut mit äußerster Vorsicht einführen, damit keine Metallstücke, Steine, Flaschen, Dosen oder andere Fremdkörper in das Gerät geraten.
2. Sollte der Schneidemechanismus auf Fremdkörper stoßen oder sollte die Maschine anfangen, ungewöhnliche Geräusche von sich zu geben oder zu vibrieren, sofort den Motor abschalten und das Gerät zum Stillstand kommen lassen. Zündkabel abziehen und die folgenden Schritte vornehmen:
 - 1) Auf Schaden untersuchen
 - 2) Beschädigte Teile durch gleichwertige Teile ersetzen oder entsprechend reparieren

- 3) Auf locker gewordene Teile überprüfen und anziehen. Versuchen Sie nicht, die Maschine zu reparieren, wenn Sie dazu nicht qualifiziert sind.
3. Motor von Schmutzresten und anderen Ansammlungen sauber halten, um Motorschaden oder Feuergefahr zu vermeiden.
4. Aufpassen, dass alle Schutzabdeckungen und Ableitbleche richtig sitzen und gut funktionieren.
5. Während des Betriebs immer einen guten Abstand vom Auswurfbereich halten.
6. Gesicht und Körper von den Einschub- und Auswurfsöffnungen abgewendet halten.
7. Nicht zu weit vorbeugen. Wenn Material in das Gerät eingeführt wird, nie höher als der Gerätefuß stehen. Zu jeder Zeit auf ein gutes Gleichgewicht und sicheren Halt achten.
8. Darauf achten, dass sich kein Häckselgut im Auswurfbereich ansammelt. Das kann den ordnungsgemäßen Auswurf beeinträchtigen und dazu führen, dass Schnittgut durch die Einschuböffnung zurückgeschleudert wird.
9. Wenn das Gerät bei der Einschuböffnung oder beim Auswurfschacht verstopft ist, Energiequelle abstellen und das Zündkabel von der Zündkerze abziehen, bevor Rückstände aus der Einschuböffnung oder dem Auswurfschacht beseitigt werden. Daran denken, dass sich die Schneidmesser noch immer bewegen können, wenn der Startmechanismus bei motorbetriebenen Geräten benutzt wird.
10. Drehzahlreglereinstellungen des Geräts nicht verstellen. Der Drehzahlregler kontrolliert die optimale und sichere Betriebsgeschwindigkeit und schützt den Motor und alle anderen beweglichen Teile vor Beschädigung durch Überdrehen. Bei Problemen wenden Sie sich an den zuständigen Wartungsdienst.

WARTUNG UND LAGERUNG

1. Wenn dieses Gerät zur Wartung, Inspektion, Lagerung oder zum Austausch eines Zubehörs abgeschaltet wird, darauf achten, dass das Zündkabel von der Zündkerze abgezogen ist. Sicherstellen, dass alle beweglichen Teile völlig zum Stillstand gekommen sind. Vor einer Inspektion oder Einstellung usw. Motor abkühlen lassen. Gerät sorgfältig warten und sauber halten.
2. Gerät außer Reichweite von Kindern und an einem Ort lagern, wo Benzindämpfe nicht an offenes Feuer oder Funken geraten können. Bei längeren Lagerungszeiten, Benzin ablassen. Vor der Lagerung Motor immer abkühlen lassen.
3. Bei der Wartung der Schneidmesser sollte man sich darüber im Klaren sein, dass sie durch einen manuellen Startmechanismus immer noch bewegt werden können, auch wenn die Energiequelle aufgrund des Verriegelungsmechanismus der Schutzvorrichtung nicht starten kann.

Start

1. Darauf achten, dass der Häcksel-Schredder auf festem, ebenen Boden steht, damit er nicht umkippen kann. Gerät nicht auf sehr harter Oberfläche, wie zum Beispiel Beton, betreiben, da Auswurfmaterial hochgeschleudert werden und Personen- oder Sachschaden verursachen kann.

2. Vor dem Starten des Motors überprüfen, dass die Motormontageplatte mehr oder weniger horizontal sitzt. Sollte das nicht der Fall sein, wenden Sie sich an die Wartungsanweisungen.
3. Für Details zum Einfüllen von Öl und Kraftstoff wenden Sie sich an Ihre Motorbroschüre.
4. Wenn es kalt ist, den Anweisungen zur Kaltstarthilfe für den Motor Folge leisten.
5. Das Starterkabel ziehen, bis der Motor angesprungen ist, und nach etwa 5 Sekunden den Choke öffnen.
6. Gas zur gewünschten Betriebsgeschwindigkeit einstellen.
7. Wenn der Motor einmal warm ist, ist der Choke für einen erneuten Start nicht mehr nötig.
8. Wenn sich Schnittgut im Häckselrohr oder im Schredderschacht befindet, Gerät nicht erneut starten. Die zusätzliche Belastung kann ernsthafte Abnutzung des Antriebsriemens verursachen oder den Zugstarter am Motor beschädigen.

Häckseln



Achtung

Hände oder Finger niemals in den Häckseltrichter stecken. Zum Schutz von Umstehenden, Gerät während des Betriebs nie unbeaufsichtigt lassen.

1. Mit dem Häckselrohr auf der Seite des Geräts, können Äste bis zu einem Durchmesser von 65 mm gehäckselt werden (50mm ohne Häckselrohr mit dem Durchflussbegrenzer). Grünes Holz häckselt sich viel schneller als trockenes Holz, in dem sich Nägel befinden, nicht häckseln.
2. Wenn das Gerät nicht dort aufgestellt werden kann, wo gemulcht werden soll, dann kann eine Plastik- oder Zeltplane unter dem Gerät ausgebreitet werden, um den Mulch aufzusammeln.



Wichtiger Hinweis!

Gerät nicht bei laufendem Motor verrücken. Das Kippen kann dem Motor Öl entziehen und er versagt.

3. Sollte der Motor während des Häckselns erheblich langsamer laufen, Äste nicht so schnell in das Gerät einführen. Dadurch werden die Mulchstücke auch kleiner und die Lebenserwartung des Antriebs verlängert sich. Ein anderer Grund kann sein, dass die Messer stumpf sind.



Hinweis!

Ästen mit mehr als 15 mm Durchmesser NICHT in den Schredderschacht werfen. Mit einem Stück Holz in den Häckseltrichter stoßen.

4. Wenn die Äste während des Häckselns rotiert werden, kann man vermeiden, dass sich Rinde um die Welle wickelt, was Verstopfungen verursacht.
5. Äste mit mehreren Zweigen können in den Häckseltrichter geschoben werden, bis ein paar Zweige und Laub übrig sind. Dies kann dann einfach in den Schredderschacht geworfen werden.

werden.

- Wenn der Häcksler verstopft ist, muss der Motor unverzüglich abgestellt werden (wenn er nicht schon abgestorben ist). Zündkabel abziehen und von der Zündkerze wegdrehen. Verstopfung vor dem Wiederstarten beseitigen. Das kann bedeuten, dass das Schreddermaschengitter nach unten geöffnet, die Schreddereinheit nach hinten gedreht und das Schnittgut aus dem Rohr gezogen werden muss.



Wichtiger Hinweis!

AUF KEINEN FALL mit dem Häckseln fortfahren, wenn der Antriebsriemen schleift oder raucht. Zur Wiedereinstellung des Riemens, siehe Wartungsinformationen.

Achtung

Das Gerät nie betreiben, wenn die kleine Wartungsabdeckplatte offen ist oder abgenommen wurde. Dies kann zu ernsthaften Verletzungen führen.

Schreddern



Achtung

- Schnittgut nicht mit der Hand in den Schredderschacht stoßen. Einen frischen Ast oder ein Stück weiches Holz benutzen.
- Augenschutz tragen.

- Unterschiedliches organisches Material sowie Laub und Zweige können zerkleinert werden. Ranken sollten in kurze Stücke (ungefähr 300 mm) geschnitten werden, bevor sie in den Schredderschacht eingeführt werden, da sie sich um die Welle wickeln können. Das kann das Gerät verstopfen und zu ernsthaften Verletzungen des Betreibers führen.



Wichtiger Hinweis!

Keine Gegenstände wie Glas, Metall, Plastikflaschen oder Steine schreddern.

- Am besten immer Handschuhe tragen, wenn kleine Zweige in den Schredderschacht eingeführt werden, Zweige lose halten und rechtzeitig loslassen, lange bevor sie mit den rotierenden Messern in Kontakt kommen.



Wichtiger Hinweis!

Auf plötzlichen, ruckartigen Einzug gefasst sein, wenn die Zweige in den Schredder gezogen werden.

- Äste mit einem Durchmesser von mehr als 15 mm können einige Zeit im Schredder herumklappen und die Schredderabschirmung beschädigen. Derartige Äste sollten statt dessen in das Häckselrohr geschoben werden.

- Laub schreddert sehr gut, besonders wenn es keine längeren Zweige enthält und wenn es lose gehäuft in den Schredderschacht geworfen wird, d. h. es sollte nicht mit Gewalt in den Schacht gepresst werden, wenn er sich verstopft. In diesem Fall, Motor abstellen und Verstopfung beheben.

- Bereich unter dem Gerät im Auge behalten, um zu gewährleisten, dass sich das Schreddergut nicht soweit aufhäuft, dass kein weiteres Material mehr austreten kann. Das kann den ordnungsgemäßen Auswurf beeinträchtigen und dazu führen, dass Schnittgut durch die Einschuböffnung zurückgeschleudert wird. Wenn sich Schnittgut nach und nach unter dem Gerät ansammelt, Gerät ein wenig nach rückwärts verschieben.



Achtung

Hände oder Füße nie unter das Gerät halten, wenn es in Betrieb ist.

- Das Tempo, mit dem das Material in den Schredderschacht eingeführt wird, kontrollieren, damit der Motor nicht überlastet wird. Insbesondere rapide Veränderungen der Motorgeschwindigkeit durch plötzliches Einschleusen großer Mengen vermeiden.
- Sollte sich der Schredder verstopfen, Motor abstellen und die R-förmige Klammer aus dem Stift ziehen, der unter der Riemenabdeckung in der Nähe des linken, vorderen Beines hervorsticht. Mit Hilfe des T-förmigen Griffs unter dem Häckselrohr den Halterungstift aus der Schredderabschirmung ziehen. Das sollte normalerweise die Abschirmung nach unten öffnen. Wenn sie klemmt, kann sie mit der Schredderstange oder einem großen Schraubenzieher vorsichtig nach unten forciert werden.



Achtung

Die Schreddereinheit nicht rotieren, ohne erst das Zündkabel von der Zündkerze abzuziehen. Kabel muss von der Zündkerze abgewandt sein.

- Wenn eine Verstopfung beseitigt worden ist, Abschirmung wieder auf ihren Platz drücken und den Halterungstift wieder einsetzen. Darauf achten, dass der T-förmige Griff horizontal liegen muss, damit der Stift völlig durch die Abschirmung gesteckt werden kann. Die R-förmige Klammer wieder anbringen.
- Sollte sich die Abschirmung beim Schreddern von Material, z.B. nassem Laub, wiederholt verstopfen, ist es empfehlenswert, etwas trockenes Schnittgut zum nassen zu mischen, um die Abschirmung freizuräumen, oder den (Sonderzubehör-) Gitterrost zu benutzen. Siehe unten.
- Nach dem Schreddern von faserigem Material, wie zum Beispiel Palmblättern, den Schredderschacht abnehmen und überprüfen, dass sie sich in der Kammer nicht dicht um die Enden des Rotors gewickelt haben. Ist das der Fall, Blätter vorsichtig mit einem flachen Schraubenzieher entfernen. Einige Arten von Palmblättern können im Häckseltrichter zerkleinert werden.



Wichtiger Hinweis!

Wenn Schnittgut, das sich um die Welle gewickelt hat, nicht entfernt wird, erhitzt sich die Antriebswelle und verbrennt das Öl aus den Wellenlagern. Das führt zu defekten Lagern.

11. BENUTZUNG DES (SONDERZUBEHÖR-) GITTERROSTES (929304).

Zum Schreddern von weichem, umfangreichen oder nassen Material, wie zum Beispiel Unkräutern oder Gemüseresten, kann wahlweise ein gesonderter Gitterrost erworben werden. Um diesen Gitterrost einzupassen, Motor abstellen, Zündkabel abziehen und Riemenabdeckung abnehmen. Die beiden R-förmigen Klammern, die die Schreddermaschengitterstangen sichern, herausziehen, Stangen und Maschengitter entfernen. Gitterrost von unten her einsetzen und Stangen durch den Rost einschieben. R-förmige Klammern wieder einsetzen, Riemenabdeckung anbringen und Zündkabel anklammern.

Grundlegende Wartung

BENÖTIGTES WERKZEUG

- Zwei 13 mm Gabelschlüssel
- 5 mm Inbus-Schlüssel
- Verstellbarer 10 Zoll Schraubenschlüssel.

- Alle 5-10 Betriebsstunden sollte der Ölstand überprüft werden und wenn nötig, Öl nachgefüllt werden. Ölwechsel gemäß der Anweisungen in der Motorbroschüre durchführen.
- Regelmäßig den Zustand des Motorluftfilters überprüfen, besonders bei staubigen Betriebsbedingungen.

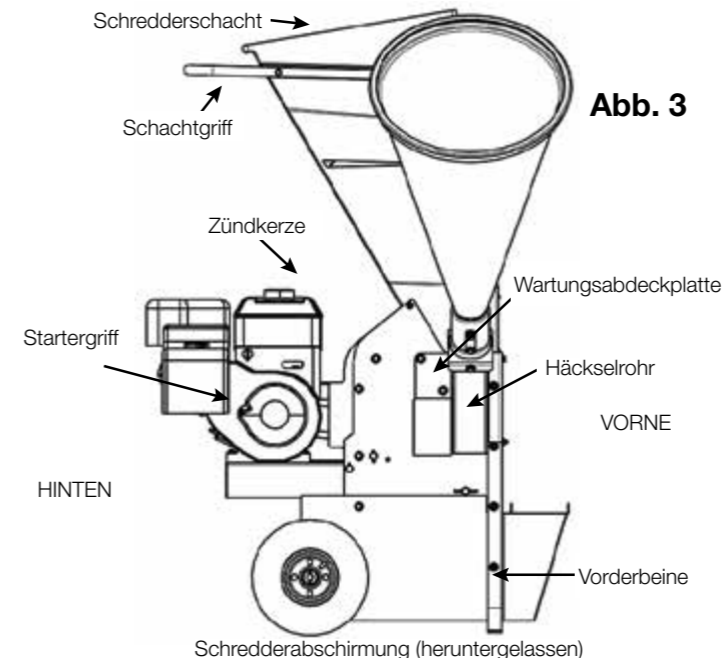
Der Antriebsriemen kann sich nach einer kurzen Betriebszeit ausdehnen, sollte sich dann aber über einen beträchtlichen Zeitraum konstant halten, wenn er nicht überanstrengt wird oder ständig schleift. Wenn der Motor nicht mehr oder weniger waagrecht ist (z. B. nach hinten vom Schacht weghängt), dann wird die Elastizität des Riemens reduziert, was dazu führt, dass der Riemen schleift. Um den Motor wieder waagrecht zu platzieren, Riemenabdeckung entfernen und die 4 Montageschrauben mit zwei 13 mm Schraubenschlüsseln lösen; Motormontageplatte anheben, bis sich der Motor leicht nach vorne neigt; Motor über die Montageschlitze zurückziehen und die zwei hinteren Montageschrauben anziehen; überprüfen, dass der Motor nun waagrecht sitzt; die beiden restlichen Schrauben anziehen; Riemenabdeckung wieder anbringen.



Wichtiger Hinweis!

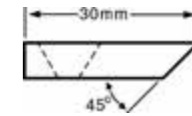
Den Antriebsriemen ersetzen, wenn der Motor am Ende der Langlöcher angelangt ist und der Riemen schleift.

- Wenn der Motor stark vibriert, kann es sein, dass die 10 mm Gelenkschrauben unter der Motormontageplatte angezogen werden müssen. Nicht komplett anziehen und danach überprüfen, dass der Motor sich noch bewegt, indem er per Hand angehoben wird. Wenn er sich nicht bewegt, kann der Riemen schleifen, da das Gewicht des Motors den Riemen angespannt hält. Die Lebensdauer der Gelenkbuchsen kann verlängert werden, indem die Gelenkschrauben mindestens einmal pro Jahr herausgenommen und geschmiert werden. Wenn das einige Male durchgeführt wurde, kann es sein, dass neue Nyloc-Muttern benötigt werden.



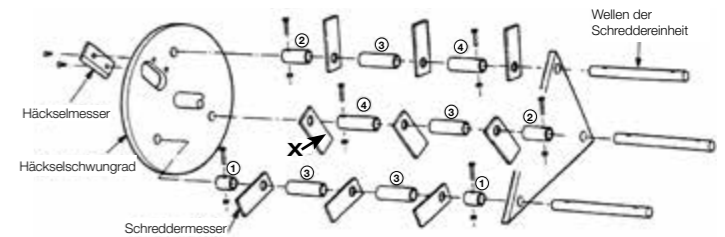
Ausbau des Häckselmessers

- Zündkabel von der Zündkerze abziehen und von der Zündkerze abgewandt halten.
- Schredderschacht abnehmen.
- Obere Schraube der Wartungsabdeckplatte lösen und untere Schraube entfernen.
- Wartungsabdeckplatte drehen, um die Öffnung unter der Platte sichtbar zu machen.
- Den Schredder-Häcksler-Rotor drehen, bis sich das Häckselmesser gegenüber der Wartungsöffnung befindet.
- Mit einem spitzen Gegenstand, wie zum Beispiel einem Nagel, Schmutz von den Inbus-Schlüssellochern in den zwei Flachkopfschrauben des Häckselmessers entfernen.
- Mit einem Inbus-Schlüssel und einem 13 mm Schraubenschlüssel die Schrauben und das Häckselmesser entfernen. [VORSICHT MIT DER SCHARFEN SCHNEIDE DES HÄCKSELMESSERS.]
- Messer auf 45° Winkel schleifen. Von jeder Schneide gleich viel abschleifen, damit das Gleichgewicht bewahrt wird. Die Mindestdimensionen des Messers sind:



- Nie ein schadhafes Häckselmesser benutzen.
- Wenn das Häckselmesser ersetzt wird, neue Nyloc-Muttern verwenden, sowie neue Schrauben, falls die alten schadhafte aussehen. Darauf achten, dass das Messer flach auf der Oberfläche des Häckselchwungrads aufsitzt, bevor es festgezogen wird.

Ausbau der Schreddermesser



Modelle mit zwei Häckselmessern. Positionen der Messerschlitze in Relation zu den Schredderwellen überprüfen, so dass sich das Messer-X auf seiner Welle drehen kann, ohne dass es an die Schraubenmutter des Häckselmessers anstößt.

BENÖTIGTES WERKZEUG

- 4 mm Inbus-Schlüssel.
- 8 mm Schraubenschlüssel.
- 1/4 Zoll Stange oder ein Kreuzschlitzschraubenzieher mit einem Durchmesser von 6 mm oder weniger.
- Lagerabzieher.
- Zwei 18 mm Gabelschlüssel.
- 1/8 Zoll Inbus-Schlüssel.



Wichtiger Hinweis!

Nach jeweils 20 Betriebsstunden oder wenn ein Fremdkörper aufgeschlagen hat, die Rotoreinheit auf lose Schrauben und beschädigte, abgenutzte oder verbogene Teile überprüfen.
Abgenutzte oder beschädigte Teile ersetzen.

- Die Schreddermesser können um 180° gedreht werden, um frische Schneideflächen aufzuzeigen.
- Zum Entfernen der Messer, erst den Schredderschacht abnehmen und die Wartungsplatte neben dem Häckselrohr öffnen.
- Zündkabel von der Zündkerze abziehen.
- Riemenabdeckung abnehmen.
- Eine Welle der Schreddereinheit mit der Öffnung unter der Wartungsabdeckung ausrichten.
- Die kleinen Schrauben durch die Schredderwelle entfernen.
- Eine Stange oder einen Kreuzschlitzschraubenzieher durch das kleine Loch über der Riemenscheibe in der linken Platte einführen und Schredderwelle durch die Wartungsöffnung hinausstoßen.
- Zustand der Schredderwelle überprüfen. Wenn sie stark gekerbt ist (z.B. Kerben tiefer als 1 mm), ersetzen. Zur gleichen Zeit abgenutzte Abstandhalter ersetzen (für Längen siehe unten.)

ABSTANDHALTER Nr.	LÄNGE (mm)	TEIL Nr.	Nr.
1	18	536043	2
2	36	536042	2
3	51	536045	4
4	51	536044	2

- Denselben Vorgang mit den beiden anderen Schredderwellen wiederholen.
- Beim Ersetzen der Wellen und Messer neue Nyloc-Muttern auf den Wellenschrauben verwenden und neue Schrauben installieren, wenn die alten beschädigt oder abgenutzt sind. Schadhafte oder stark abgenutzte Messer nicht wieder verwenden.
- Die Messer müssen wie auf der Abbildung dargestellt eingebaut werden. Ganz besonders wichtig ist, dass sich das Messer-X, welches keinen Abstandhalter zum Häckselrad besitzt, so auf der Welle befindet, dass es sich drehen kann, ohne an die Muttern, die das Häckselmesser in Position halten, anzustoßen.

Ausbau des Motors

Riemenabdeckung abnehmen, Antriebsriemen, Riemenspannfeder und die zwei Motorgelenkschrauben entfernen und somit den Motor vom Gerät abkoppeln.

Ausbau des Rotors

- Die Riemenscheibe von der Rotoreinheit entfernen, indem erst der Sprengring entfernt wird. Dann die Lagerbundschrabe lösen und die Riemenscheibe mit einem Abzieher abziehen.

- Rostlöser, in das Bundschraubenloch gesprüht, kann diesen Vorgang erleichtern.
- Schredderschacht abnehmen.
- Die 13 mm Schraube vom Ende der Rotorwelle neben dem Häckselrohr entfernen.
- Die vier Muttern von den Lagerschrauben abnehmen.
- Mit einem 3 mm Inbus-Schlüssel alle vier Lagerbundschrauben lockern.
- Mit einem Messingdurchschlag (oder ähnlich) die Schredderwelle teilweise durch das Lager auf der Häckselrohrseite der Maschine treiben.
- Mit einem Abzieher Lager auf der Seite der Maschine entfernen, auf der sich die Riemenscheibe befindet.
- Häckselmesser entfernen oder darauf achten, dass die Messer sich auf keinen Fall in der Nähe des Häckselrohrs befinden.
- Mit einem weichen Hammer die Rotorwelle von der Riemenscheibenseite her leicht klopfen. Darauf achten, dass die Häckselmesser nicht beschädigt werden.
- Mit einem Abzieher das Lager, das sich auf der Häckselrohrseite der Maschine befindet, entfernen.
- Die Rotoreinheit kann jetzt entfernt werden, indem eine der Seitenplatten von der Maschine abgenommen wird.



Hinweis!

Beim Zusammenbau die Lagerbundschrabe der Riemenscheibe mit Metallklebstoff (Loctite 262 oder ähnlichem) sichern und immer darauf achten, dass ein guter Sprenging eingepasst wird.

Ausbau des Riemens

- Riemenabdeckung entfernen.
- Zündkabel von der Zündkerze abziehen.
- Die vier Motormontageschrauben lösen und den Motor nach vorne schieben.
- Motor anheben und den Riemen entfernen.
- Wenn ein neuer Riemen eingebaut wird, Motorposition wieder so ausrichten, dass er waagrecht sitzt, wenn der Riemen gespannt ist.
- Riemenabdeckung anbringen.

Fehlersuche

FEHLER	MÖGLICHE URSACHE(N)	FEHLERBEHEBUNG
Motor startet nicht	Kraftstofftank ist leer Kraftstofftankfilter ist verstopft Zündkabel ist abgekoppelt Defekte Zündkerze Defekte Zündkerze	Korrekten Kraftstoff in den Tank füllen Kraftstofftank reinigen Zündkabel an der Zündkerze anbringen Zündkerze reinigen Zündkerze ersetzen
Nachlassen der Leistung; unregelmäßiger Betrieb	Zündkabel ist lose Gerät läuft noch auf CHOKE Blockierte Kraftstoffleitung Kraftstofftank ist fast leer Vergaser muss eingestellt werden Schmutziger/verstopfter Luftfilter Benzintank ist schmutzig	Kontakt mit Zündkerze sicherstellen CHOKE-Hebel auf NORMAL stellen Kraftstoffleitungen reinigen Benzintank auffüllen Wenden Sie sich an Ihren örtlichen Fachhändler Luftfilter reinigen oder ersetzen Benzintank reinigen
Motor überhitzt sich	Motorölstand niedrig Schmutz um den Motor	Korrekte Ölsorte nachfüllen Gerät abschalten und Motor von Schmutzresten befreien
Gerät vibriert	Motormontageplatte locker Häckselmesser beschädigt Schmutzreste verstopfen Flegelmesser Unebene Arbeitsfläche	Montageplatte befestigen, siehe Betriebsanleitung Messer überprüfen und falls nötig ersetzen Flegel überprüfen und Schmutzreste entfernen Gerät auf ebene Arbeitsfläche stellen
Gerät wirft kein Schnittgut aus	Auswurfmaschengitter verstopft	Zündkabel abziehen, dann Maschengitter herausnehmen und reinigen Trockenes oder andersartiges Material zumischen Tempo, mit dem Material in den Schacht geführt wird, verringern
Gerät zeigt schlechte Leistung	Gerät braucht länger zur Bearbeitung des Schnittguts	Überprüfen, ob Flegelmesser kaputt sind Überprüfen und ersetzen/Schreddermesser um 180° drehen Häckselmesser ersetzen oder schleifen Riemen auf korrekte Spannung überprüfen

Technische Information

Modell:	Häcksler-Schredder GRN 6.0 IC
Motorotyp:	B&S HRZ, 205 cm3
Motorleistung:	4.03 kW
Nenn Drehzahl im Leerlauf:	3600/min
Fassungsvermögen des Benzintanks:	3800 ml
Fassungsvermögen des Öltanks:	900 ml
Teilenummer der Schnittmesser:	536027 (Häckselmesser) & 536030 (Schreddermesser)
Gewicht:	73 kg
Schalldruckpegel LpA in Betriebsposition:	92.3 dB(A) k=3 dB(A)
Gemessener Schalleistungspegel LWA:	112.0 dB(A) k=3 dB(A)
Garantierter Schalleistungspegel LWA (2000/14/EC):	112.0 dB(A)

Modell:	Häcksler-Schredder EU GRN 6.0 IC
Motorotyp:	B&S HRZ, 205 cm3
Motorleistung:	4.03 kW
Nenn Drehzahl im Leerlauf:	3600/min
Fassungsvermögen des Benzintanks:	3800 ml
Fassungsvermögen des Öltanks:	900 ml
Teilenummer der Schnittmesser:	536027 (Häckselmesser) & 536030 (Schreddermesser)
Gewicht:	73 kg
Schalldruckpegel LpA in Betriebsposition:	92.3 dB(A) k=3 dB(A)
Gemessener Schalleistungspegel LWA:	103.0 dB(A) k=3 dB(A)
Garantierter Schalleistungspegel LWA (2000/14/EC):	112.0 dB(A)



Mettere in funzione la macchina solo dopo averne completato il montaggio corretto e avere letto attentamente le istruzioni.



Non consentire a minori di mettere in funzione questo apparecchio.

Le presenti istruzioni hanno lo scopo di fornire una guida generica e non sostituiscono in alcun modo codici nazionali o locali. Rivolgersi alle autorità locali per chiarimenti sulla legislazione relativa al funzionamento di questo dispositivo.

Conservare le istruzioni in un luogo sicuro per futura consultazione

Indice

Simboli utilizzati nel presente manuale	43
Simboli utilizzati sulla macchina	43
Informazioni importanti sulla sicurezza	44
Componenti	44
Istruzioni di funzionamento	45
Avvio	47
Sminuzzatura	47
Trinciatura	48
Manutenzione di base	48
Rimozione della lama di sminuzzatura	49
Rimozione della lama di trinciatura	49
Rimozione del motore	50
Rimozione del rotore	50
Rimozione della cinghia	50
Risoluzione dei problemi	51
Caratteristiche tecniche	51

Simboli utilizzati nel presente manuale



Minaccia di pericolo o situazione pericolosa. La mancata osservanza di questa istruzione può condurre a lesioni o causare danni a beni materiali.



Informazioni importanti sul corretto utilizzo. La mancata osservanza di questa istruzione può condurre a guasti della macchina.



Informazioni per l'utente. Queste informazioni aiutano l'utente a impiegare correttamente tutte le funzioni.

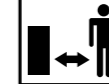
Simboli utilizzati sulla macchina



Leggere attentamente il presente manuale prima di mettere in funzione la macchina.



Gli astanti devono mantenersi a distanza. Pericolo di oggetti scagliati.



Tenere mani e piedi a distanza.



Rimuovere la candela.



Indossare sempre dispositivi di protezione dell'udito durante l'utilizzo della macchina



Indossare sempre dispositivi di protezione oculare durante l'utilizzo della macchina



Indossare sempre guanti di protezione durante l'utilizzo della macchina



Avvertenza. Tenere mani e piedi a distanza dalle lame in rotazione.



Avvertenza! Tenere i piedi a distanza dalle lame in rotazione.

Informazioni importanti sulla sicurezza

Leggere attentamente il presente manuale nella sua interezza prima del montaggio e dell'uso.

- La garanzia del fabbricante può essere annullata in caso di uso improprio del prodotto.
- L'operatore deve comprendere tutti i requisiti di sicurezza indicati nel presente manuale prima di utilizzare l'apparecchiatura.
- L'operatore è responsabile della sicurezza di tutti i soggetti terzi durante il funzionamento dell'apparecchio.
- L'assunzione di alcol o farmaci con o senza prescrizione può pregiudicare la capacità dell'utente di assemblare correttamente o di utilizzare in sicurezza la sminuzzatrice trinciatrice.
- In caso di quesiti riguardanti le presenti istruzioni, rivolgersi al rivenditore di zona per un chiarimento prima di utilizzare l'unità.
- L'unità deve essere montata correttamente prima dell'uso. La mancata osservanza delle istruzioni del manuale può dare luogo a danni o lesioni gravi.
- Prima di metterla in funzione, assicurarsi di collocare l'unità su una superficie orizzontale solida in uno spazio aperto (ossia, lontano da pareti o altre strutture fisse).
- Assicurarsi che tutti i tubi flessibili del carburante siano in buono stato e collegati correttamente.
- Ispezionare attentamente la sminuzzatrice trinciatrice per verificarne la sicurezza operativa prima di ogni utilizzo.
- Non mettere in funzione la macchina in aree chiuse, in quanto il gas di scarico del motore contiene monossido di carbonio, un gas incolore, inodore e insapore, che può essere estremamente pericoloso se emesso in locali chiusi.
- Non inserire le mani o qualsiasi parte del corpo o indumento nei tunnel di immissione o nell'area di scarico e non avvicinarsi ad alcun organo in movimento.
- Prima di ispezionare o eseguire la manutenzione su qualsiasi componente della macchina, interrompere l'alimentazione. Assicurarsi che tutti gli organi in movimento si siano arrestati completamente. Scollegare il cavo dalla candela.
- Utilizzare il carburante specificato per l'unità. Rivolgersi al rivenditore di zona per le informazioni sul carburante specifico.
- Non lasciare incustodita la sminuzzatrice trinciatrice mentre è in funzione.
- Gli astanti devono essere tenuti a distanza di sicurezza dalla sminuzzatrice trinciatrice durante il suo utilizzo.
- Tenere bambini e animali a distanza appropriata durante l'utilizzo dell'unità e durante la fase di rallentamento dei suoi componenti.
- Non tentare di spostare e inclinare l'unità mentre è in funzione o prima del completo arresto.
- I componenti del motore raggiungono temperature estremamente elevate e possono causare ustioni gravi. L'operatore deve prestare costantemente attenzione al materiale introdotto nell'unità.
- L'operatore deve sempre restare presso l'unità durante il suo funzionamento.
- Assicurarsi che l'alimentazione del motore sia stata SPENTA dopo l'uso e mentre l'unità resta incustodita.
- Il fabbricante o i suoi agenti declinano ogni responsabilità per il trattamento di qualsiasi materiale che sia fonte di disagio o lesioni personali

Componenti

1. Di seguito sono elencati i componenti che devono essere presenti nei due imballaggi:-

Imballaggio 1

- Gruppo motore - telaio
- Due piedini a L
- Due ruote
- Busta di plastica contenente:
 - Manuale di istruzioni
 - Scheda di garanzia
 - Libretto del motore
 - Una vite M8 x 20 mm
 - Quattro rondelle per asse da 16 mm
 - Una rondella 8 mm x 19 mm
 - Un dado Nyloc da 8 mm
 - Due coppie

Imballaggio 2

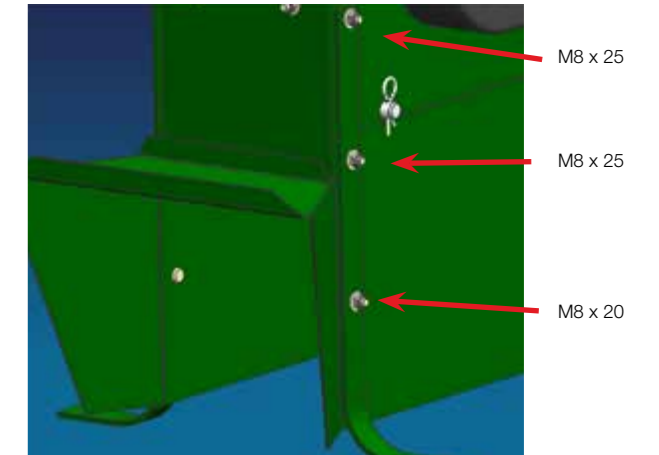
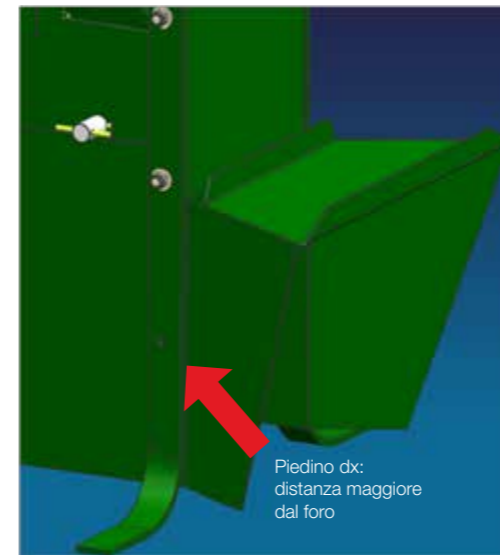
- Tunnel di trinciatura con deflettore in gomma e piastra metallica montati
- Manubrio del tunnel
- Tunnel di sminuzzatura con morsetto
- Quattro bulloni da 35 mm per il manubrio del tunnel
- Due rondelle elastiche da 8 mm
- Otto rondelle 8 mm x 19 mm
- Due viti M8 x 25 mm
- Sei dadi Nyloc da 8 mm
- Due elementi di ritengo del tunnel

Assemblaggio

1. Rimuovere l'unità dal supporto di spedizione. Estrarre l'asse delle ruote.
2. Verificare che nel motore non siano presenti olio o carburante e coricare con cautela il telaio sul lato sinistro.
3. Fissare in posizione il piedino destro con i bulloni, tenendo presente che i piedini destro e sinistro sono diversi, perché i fori sono fuori centro (i piedini vengono fissati temporaneamente sul lato opposto a fini di trasporto; tenerlo presente durante lo smontaggio per installarli sul lato corretto).



Piedino dx: fissare sul lato opposto



Istruzioni di funzionamento

1. Per spostare l'unità, collocare un piede dietro una ruota e inclinare l'unità all'indietro fino a superare il punto di equilibrio.



Avvertenza

Non spostare l'unità mentre il motore è in funzione.

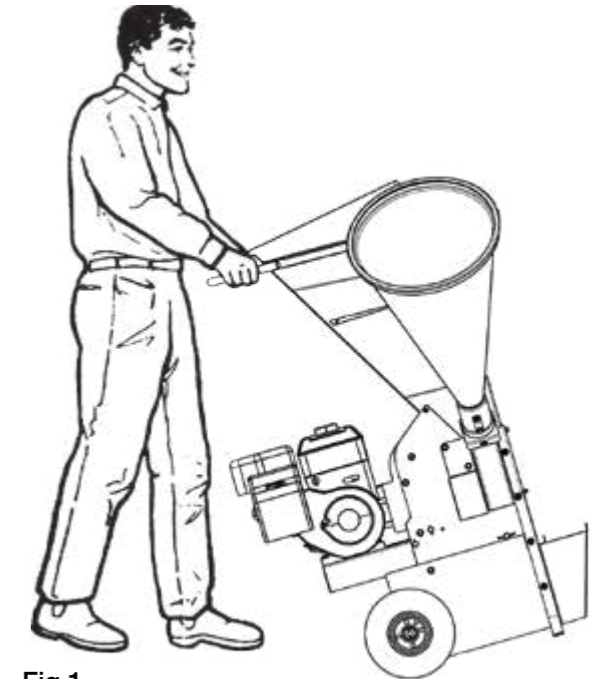


Fig 1

2. Se si percorrono aree accidentate o declivi, tenere saldamente il manubrio su entrambi i lati con due mani, al fine di impedire il ribaltamento dell'unità. In alcuni casi può essere più facile trainare l'unità dietro di sé.
3. Una volta rimossi i tunnel, l'unità può essere caricata su alcune station wagon di grandi dimensioni, ma deve essere fissata in posizione verticale in caso di presenza di olio e carburante nel motore.

4. Montare una ruota sull'asse con una rondella su ogni lato della ruota. Montare l'asse e la ruota sul telaio. Coricare con cautela la macchina sul lato destro e montare l'altro piedino e l'altra ruota come sopra. Montare il perno dell'asse.



5. Sollevare con cautela il gruppo in modo che appoggi sulle ruote e sui piedini.

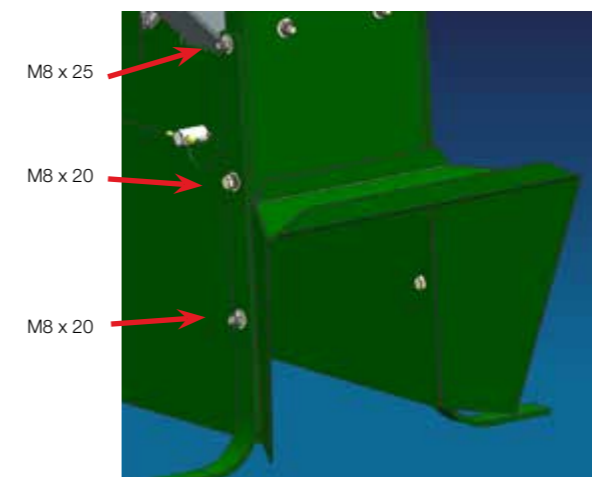
6. Sollevare il motore e rimuovere eventuali materiali di imballaggio che si trovino sotto la relativa piastra di montaggio.

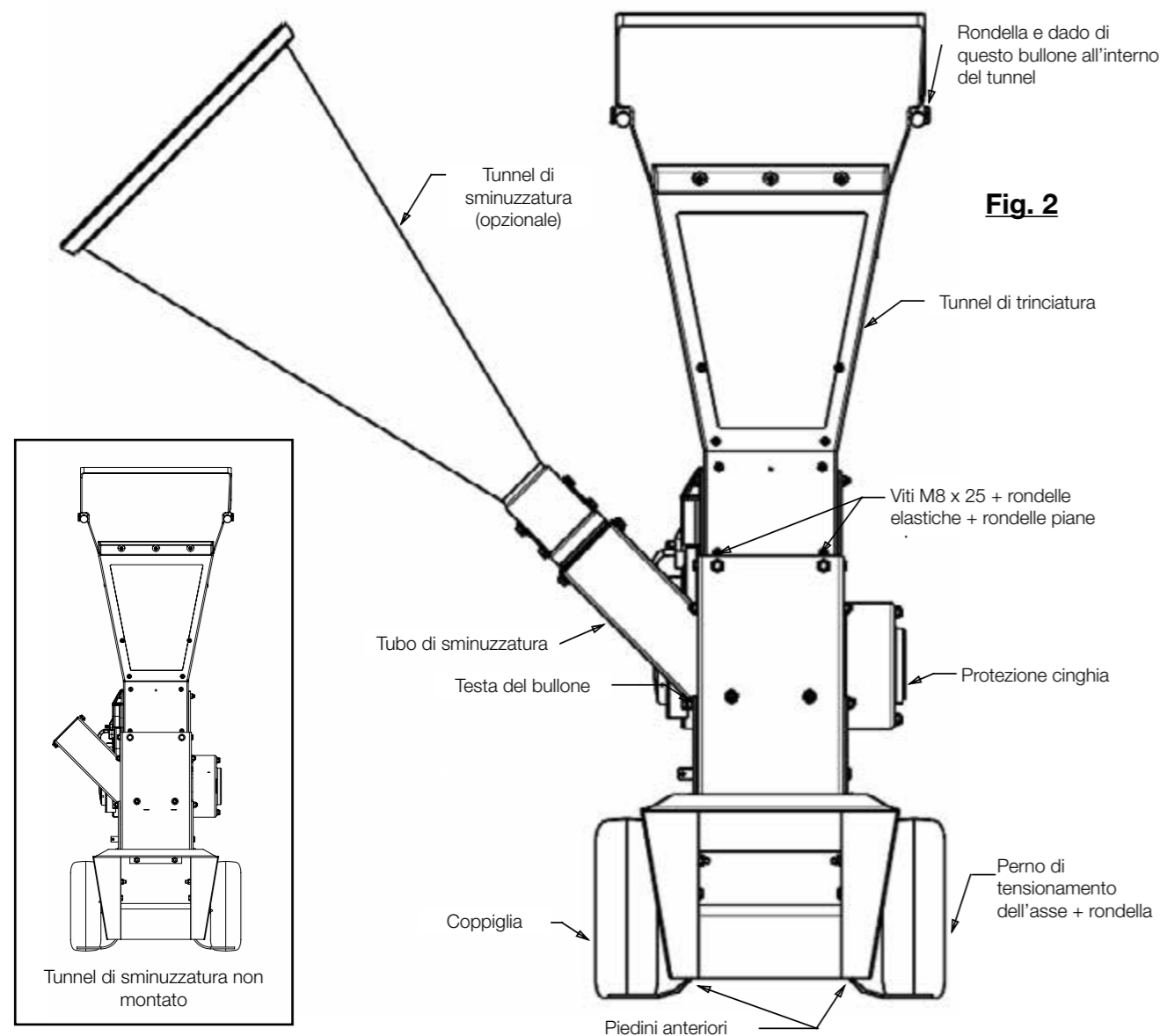
7. Fissare il manubrio al tunnel di trinciatura.

8. Fissare il tunnel di trinciatura al telaio utilizzando due viti da 8 mm x 20 mm e due ritegni del tunnel, con rondelle piane ed elastiche per le viti anteriori e con due dadi Nyloc ai lati esterni del tunnel. Vedere Fig. 2.

9. Fissare il tunnel di sminuzzatura al tubo e serrare il morsetto (vedere Fig. 2).

10. Rifornire il motore di carburante e olio (consultare il libretto del motore).





Preparazione

1. Indossare sempre occhiali di protezione mentre si utilizza la macchina. Si consiglia inoltre il ricorso a dispositivi di protezione dell'udito, specie per tempi di utilizzo prolungati.
2. Evitare gli indumenti larghi o dotati di cordoni o lacci pendenti.
3. Prima di avviare la macchina, controllare che tutte le viti, i dadi, i bulloni e gli altri dispositivi di fissaggio siano serrati in modo adeguato. Qualora danneggiate o illeggibili, sostituire le decalcomanie delle avvertenze e delle istruzioni di funzionamento.
4. **Avvertenza** Prestare particolare attenzione nella manipolazione dei carburanti. Queste sostanze sono infiammabili e i vapori sono esplosivi.
 - a) Utilizzare esclusivamente contenitori approvati per il carburante.
 - b) Non rimuovere il tappo del serbatoio né rifornire di carburante con il motore in funzione. Lasciare raffreddare il motore prima di effettuare il rifornimento. Non fumare durante il rifornimento.

- c) Non effettuare il rifornimento di carburante in luoghi chiusi.
- d) Non riporre la macchina o il contenitore del carburante in luoghi chiusi in cui siano presenti fiamme libere, quali quella di uno scaldacqua.
- e) Dopo il rifornimento, richiudere sempre il serbatoio con il tappo e serrare saldamente.
- f) In caso di fuoriuscite di carburante, non tentare di avviare il motore, ma allontanare la macchina dall'area della fuoriuscita prima di avviarla.
- g) Se il serbatoio del carburante si è svuotato, l'operazione deve essere eseguita all'aperto.

Sicurezza operativa

MESSA IN FUNZIONE

1. Quando si introduce il materiale da trinciare nell'apparecchio, prestare la massima attenzione alla presenza di elementi in metallo, pietre, bottiglie, lattine o altri oggetti estranei.
2. Qualora il meccanismo di taglio colpisse materiali estranei o la macchina iniziasse a produrre rumori o vibrazioni inconsueti,

spegnerne immediatamente il motore e lasciare arrestare la macchina.

Scollegare la candela e procedere come segue:

- 1) Accertarsi che non siano presenti danni
- 2) Riparare eventuali componenti danneggiati o sostituirli con componenti con specifiche equivalenti
- 3) Verificare che non vi siano componenti allentati e, se presenti, serrarli

Tentare di riparare la macchina solo se si dispone delle competenze necessarie.

3. Tenere il motore libero da detriti o altri accumuli al fine di evitare danni al motore stesso o eventuali incendi.
4. Mantenere tutte le protezioni e i deflettori in posizione e in buone condizioni di funzionamento.
5. Tenersi sempre a distanza dall'area di scarico durante l'utilizzo della macchina.
6. Tenere il volto e il corpo a distanza dalle aperture di immissione e scarico.
7. Non tentare di raggiungere aree eccessivamente distanti rispetto all'appoggio dei piedi. Non posizionarsi a un livello più elevato rispetto alla base della macchina quando si introduce il materiale al suo interno. Conservare sempre l'equilibrio e un corretto appoggio dei piedi.
8. Non consentire l'accumulo di materiale sminuzzato nella zona di scarico; ciò potrebbe ostacolare lo scaricamento corretto e causare il ritorno del materiale nell'apertura di ingresso.
9. In caso di ostruzioni dell'apertura di immissione o del tunnel di scarico, interrompere l'alimentazione, scollegare il cavo dalla candela di accensione prima di eliminare i detriti dall'apertura o dal tunnel. Ricordare che l'utilizzo del meccanismo di avviamento sulle macchine a motore causa comunque il movimento dei dispositivi di taglio.
10. Non modificare le impostazioni del regolatore del motore della macchina: il regolatore controlla la massima velocità di esercizio in sicurezza e protegge il motore e tutti gli organi mobili dai danni causati da un'eccessiva velocità. In caso di problemi, rivolgersi a personale di manutenzione autorizzato.

MANUTENZIONE E RIMESSAGGIO

1. Quando si spegne l'apparecchio a fini di manutenzione, ispezione, rimessaggio o sostituzione di un accessorio, assicurarsi che il cavo della candela sia scollegato dalla candela stessa. Assicurarsi che tutti gli organi in movimento si siano arrestati completamente. Lasciare raffreddare la macchina prima di eseguire qualsiasi ispezione, regolazione ecc. Tenere la macchina pulita e in buono stato di funzionamento.
2. Riporre la macchina fuori dalla portata dei bambini in un luogo in cui i vapori del carburante non possano raggiungere fiamme libere o scintille. Per periodi di rimessaggio prolungati, tenere in funzione l'unità fino all'esaurimento del carburante. Lasciare sempre raffreddare la macchina prima del rimessaggio.
3. Nella manutenzione dei dispositivi di taglio tenere presente che, anche se l'alimentazione non viene trasmessa grazie alla funzione di interblocco della protezione, i dispositivi di taglio possono comunque essere messi in movimento tramite un meccanismo di avviamento manuale.

Avvio

1. Assicurarsi che la sminuzzatrice trinciatrice si trovi su una superficie stabile e regolare per evitarne il ribaltamento. Non mettere in funzione la macchina su una superficie dura come il cemento, in quanto il materiale di scarico rimbalza e potrebbe causare lesioni o danni.
2. Prima di avviare il motore, verificare che la relativa piastra di montaggio sia in posizione orizzontale. In caso contrario consultare le istruzioni di manutenzione.
3. Consultare il libretto del motore per i dettagli sul rifornimento di olio e carburante al motore.
4. Seguire le istruzioni per l'uso dello starter (qualora il motore sia freddo).
5. Tirare la fune di avviamento fino all'avvio del motore e aprire lo starter dopo circa 5 secondi.
6. Regolare l'acceleratore per raggiungere la velocità di esercizio desiderata.
7. Una volta che il motore sia caldo, non è necessario utilizzare lo starter per riavviarlo.
8. Non riavviare l'unità se nel tubo di sminuzzatura o nel tunnel di trinciatura è presente del materiale. La resistenza supplementare potrebbe causare usura grave della cinghia di trasmissione o danneggiare l'avviatore a fune del motore.

Sminuzzatura



Avvertenza

Non inserire le mani o le dita all'interno del tunnel di sminuzzatura. Per la protezione delle altre persone, non lasciare la macchina incustodita mentre è in funzione.

1. È possibile sminuzzare rami di diametro massimo di 65 mm con il tubo di sminuzzatura sito sul lato dell'unità (o rami di 50 mm senza il tubo di sminuzzatura con il restrittore). Il legno verde viene sminuzzato in tempi molto più rapidi rispetto al legno secco. Non sminuzzare legname contenente chiodi.
2. Se non è possibile collocare l'unità sulla superficie su cui verranno distribuiti i trucioli, stendere un telo di plastica o tessuto sotto la macchina al fine di raccogliarli.



Importante!

Non spostare l'unità con il motore avviato. L'inclinazione risultante potrebbe impedire l'afflusso di olio al motore, con conseguente grippaggio.

3. Se il motore rallenta in misura considerevole durante la sminuzzatura, ridurre la velocità di introduzione dei rami nella macchina. In questo modo, inoltre, i trucioli prodotti saranno di dimensioni inferiori e la vita utile della trasmissione risulterà prolungata. In alternativa, controllare che le lame non siano usurate.



NB! NON inserire nel tunnel di trinciatura le parti terminali di rami di oltre 15 mm di diametro. Sospingerle nel tunnel di sminuzzatura utilizzando un altro pezzo di legno.

- La rotazione dei rami durante la sminuzzatura può ridurre l'incidenza dell'avvolgimento della corteccia intorno all'albero, potenziale causa di inceppamenti.
- È possibile introdurre rami dotati di molti rametti più piccoli nel tunnel di sminuzzatura fino a rimanere con una quantità modesta di foglie e rametti, che potranno essere inseriti nel tunnel di trinciatura.
- In caso di inceppamento della sminuzzatrice, arrestare immediatamente il motore, qualora non sia già bloccato. Scollegare il cavo della candela e allontanarlo dalla candela stessa. Rimuovere il materiale che causa l'inceppamento prima di riavviare. A tal fine, può essere necessario rimuovere la griglia di trinciatura, ritrarre il gruppo di trinciatura ruotandolo e fare leva per estrarre il materiale dal tubo.

NB!
NON continuare la sminuzzatura se la cinghia di trasmissione scivola o emette fumo. Per regolare la cinghia, consultare le istruzioni di manutenzione.

Avvertenza

Non mettere in funzione la macchina se la piastra di copertura piccola per la manutenzione è aperta o fuori posizione. L'inosservanza di tale precauzione può causare lesioni gravi.

Trinciatura

Avvertenza

- Non sospingere il materiale nel tunnel di trinciatura con le mani. Utilizzare un ramo verde o un pezzo di legno dolce.
- Indossare dispositivi di protezione oculare.

- È possibile trinciare molti materiali organici, oltre a foglie e rami. I rampicanti devono essere tagliati in stralci corti (circa 300 mm) prima di introdurli nel tunnel di trinciatura, in quanto potrebbero avvolgersi sull'albero. Ciò potrebbe causare inceppamenti dell'unità e lesioni gravi all'operatore.

Importante!
Non tentare di trinciare materiali o oggetti quali vetro, metallo, bottiglie di plastica o pietre.

- Indossare preferibilmente dei guanti da lavoro per introdurre i rami più piccoli nel tunnel di trinciatura, tenendoli senza stringere e rilasciandoli molto prima che vengano in contatto con le lame in rotazione.

Importante!
Prestare attenzione a eventuali movimenti improvvisi dei rami incastrati nella trinciatrice.

- I rami di oltre 15 mm di diametro potrebbero vorticare per un certo tempo nella trinciatrice, danneggiandone la griglia. Questi rami vanno invece inseriti nel tubo di sminuzzatura.
- Le foglie vengono trinciate con grande facilità, specie se non contengono rametti lunghi e vengono inserite senza premere nel tunnel di trinciatura, pertanto non esercitare pressione in caso di inceppamento del tunnel, ma arrestare il motore e rimuovere l'inceppamento.

- Controllare in maniera continuativa l'area sottostante la macchina per assicurarsi che il materiale trinciato non si

accumuli al punto da impedire la fuoriuscita di ulteriore materiale. Ciò potrebbe ostacolare lo scaricamento corretto e causare il ritorno del materiale nell'apertura di immissione. Fare arretrare la macchina di una breve distanza se il materiale si accumula al di sotto di essa.

Avvertenza
Non mettere mai le mani o i piedi sotto la macchina quando è in funzione.

- Controllare la velocità di immissione del materiale nel tunnel di trinciatura per evitare un sovraccarico del motore. In particolare, cercare di evitare cambiamenti repentini del regime del motore causati da inserimento di grandi quantità di materiale in una volta sola.
- Se la griglia di trinciatura si ostruisce, spegnere il motore ed estrarre la clip a R dal perno che fuoriesce sotto la protezione della cinghia, vicino al piedino anteriore sinistro. Utilizzando l'impugnatura a T sotto il tubo di sminuzzatura, estrarre il perno dalla griglia di trinciatura. In questo modo la griglia dovrebbe aprirsi verso il basso. Se bloccata, è possibile fare delicatamente leva su di essa utilizzando l'asta di trinciatura o un grosso cacciavite.

Avvertenza
Ruotare il gruppo di trinciatura solo dopo avere scollegato il cavo della candela e averlo allontanato da questa.

- Dopo avere eliminato l'inceppamento, sospingere in posizione la griglia e rimontare il perno. Tenere presente che l'impugnatura a T deve essere orizzontale per consentire al perno di attraversare completamente la griglia. Rimontare la clip a R.
- Se la griglia viene ostruita ripetutamente durante la trinciatura di materiali umidi, come foglie bagnate, provare a miscelare materiale secco per liberare la griglia o utilizzare la grata a barre (opzionale). Vedere le indicazioni riportate di seguito.
- Dopo la trinciatura di materiali filamentosi, quali ad esempio le foglie di palma, rimuovere il tunnel di trinciatura e controllare che il materiale non sia avvolto strettamente alle estremità del rotore, all'interno della camera. Se presente, rimuovere il materiale con un cacciavite a taglio. Le foglie di alcune varietà di palma possono essere tagliate nel tunnel di sminuzzatura.

Importante!
Se il materiale avvolto sull'albero non viene rimosso, l'albero si surriscalda provocando l'evaporazione dell'olio presente nei cuscinetti, che infine si guasteranno.

- USO DELLA GRATA A BARRE OPZIONALE (929304).**
Per la trinciatura di materiale morbido, voluminoso o umido come erba o residui vegetali, è possibile acquistare una grata a barre opzionale. Per montare la grata, spegnere il motore, rimuovere il cavo della candela e la protezione della cinghia. Estrarre entrambe le clip a R che fissano le aste della griglia di trinciatura, rimuovere le aste e la griglia. Inserire la grata a barre dalla parte inferiore e fare passare le aste attraverso la grata. Riposizionare le clip a R, la protezione della cinghia e il cavo della candela.

Manutenzione di base

UTENSILI NECESSARI

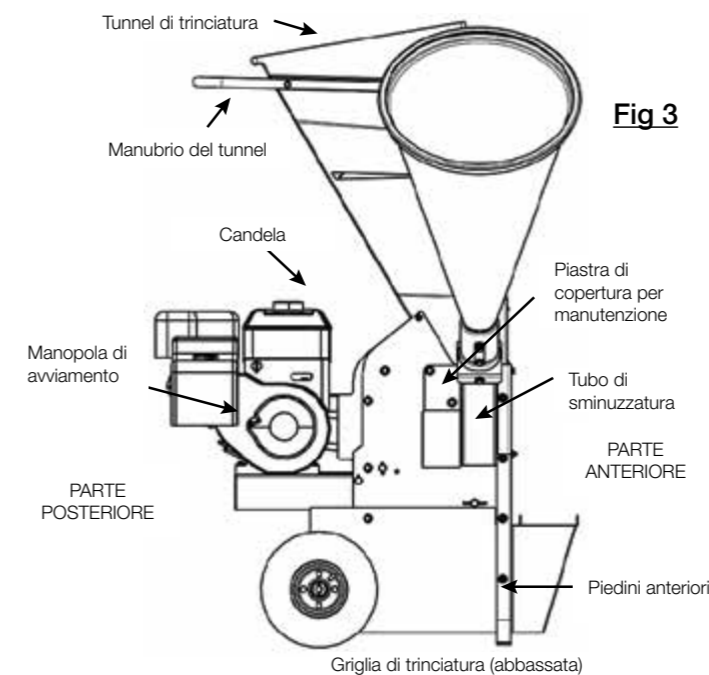
- Due chiavi combinate da 13 mm.
- Chiave a brugola da 5 mm.

c) Chiave regolabile da 10".

- Ogni 5 - 10 ore di funzionamento, controllare il livello dell'olio e rabboccare se necessario. Cambiare l'olio secondo le istruzioni contenute nel libretto del motore.
- Controllare regolarmente la condizione del filtro dell'aria del motore, specie in ambienti di lavoro polverosi.
- La cinghia di trasmissione può allungarsi dopo un breve utilizzo, ma in seguito dovrebbe stabilizzarsi per un periodo prolungato, a condizione di evitare sovraccarichi o continui slittamenti. Se il motore non si trova in posizione approssimativamente orizzontale, ossia se rimane in pendenza rispetto al tunnel, la pressione della molla sulla cinghia potrebbe risultare ridotta, causando lo slittamento della cinghia. Per riportare il motore in orizzontale: rimuovere la protezione della cinghia; allentare i 4 bulloni di montaggio del motore con le due chiavi da 13 mm; sollevare la piastra di montaggio sino a quando il motore risulti inclinato lievemente in avanti; ritrarre il motore nelle relative fessure di montaggio e serrare due bulloni posteriori; controllare che ora il motore si trovi in orizzontale, serrare i restanti bulloni del motore; riposizionare la protezione della cinghia.

NB!
Sostituire la cinghia di trasmissione in caso di slittamento se il motore ha raggiunto la fine dei fori allungati.

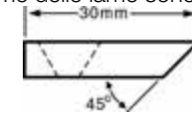
- Se il motore vibra in modo eccessivo, può essere necessario serrare i perni bulloni da 10 mm sotto la piastra di montaggio del motore. Non serrarli completamente e dopo averli serrati controllare che il motore possa ancora muoversi sollevandolo manualmente. Se non si muove, la cinghia slitta in quanto il peso del motore la tiene in tensione. Rimuovere e ingrassare i perni bulloni almeno una volta all'anno per prolungare la vita utile delle boccole cardine. Dopo averli rimossi alcune volte, può essere necessario montare dadi Nyloc nuovi.



Rimozione della lama di sminuzzatura

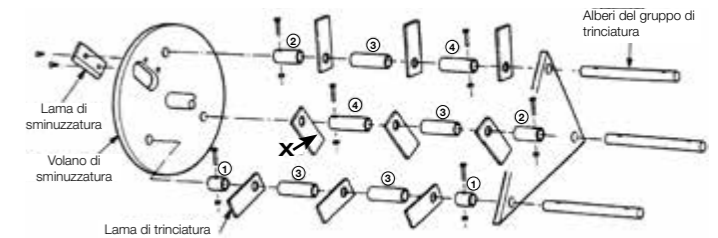
- Scollegare il cavo della candela e allontanarlo da essa.
- Rimuovere il tunnel di trinciatura.

- Allentare il bullone superiore sulla piastra di copertura per la manutenzione, quindi rimuovere il bullone inferiore.
- Ruotare la piastra di protezione per la manutenzione in modo da esporre il foro sottostante.
- Ruotare il rotore di trinciatura-sminuzzatura in modo che la lama di sminuzzatura si trovi di fronte al foro per la manutenzione.
- Utilizzando un oggetto acuminato, come ad esempio un chiodo, rimuovere i detriti dai fori a brugola dei due bulloni a testa svasata della lama di sminuzzatura.
- Rimuovere i bulloni e la lama di sminuzzatura utilizzando una chiave a brugola e una chiave esagonale da 13 mm. [PRESTARE ATTENZIONE AL BORDO AFFILATO DELLA LAMA DI SMINUZZATURA].
- Affilare la lama a 45°. Affilare le lame tutte nella stessa misura al fine di preservarne il bilanciamento. Le dimensioni minime delle lame sono:



- Non utilizzare lame di sminuzzatura che presentino crepe.
- Utilizzare dadi Nyloc nuovi per riposizionare la lama di sminuzzatura, e bulloni nuovi qualora questi appaiano danneggiati. Assicurarsi che la lama si inserisca perfettamente sul volano di sminuzzatura prima di serrare.

Rimozione della lama di trinciatura



Modelli con due lame di sminuzzatura. Controllare le posizioni delle fessure delle lame rispetto agli alberi di trinciatura in modo che la lama X possa ruotare sul proprio albero senza colpire i dadi della lama di sminuzzatura.

UTENSILI NECESSARI

- Chiave a brugola da 4 mm.
- Chiave esagonale da 8 mm.
- Asta da 1/4" o cacciavite a croce con diametro massimo del gambo di 6 mm.
- Estrattore per cuscinetti.
- Due chiavi a forchetta da 18 mm.
- Chiave a brugola da 1/8".

Importante!
Verificare che il gruppo rotore non presenti bulloni allentati o parti crepate, usurate o piegate dopo ogni 20 ore di utilizzo o dopo l'impatto con un oggetto estraneo. Sostituire le parti usurate o danneggiate.

- Le lame di trinciatura possono essere ruotate di 180° per esporre le superfici di taglio nuove.
- Per rimuovere le lame, rimuovere anzitutto il tunnel di trinciatura

e aprire il coperchio per la manutenzione vicino al tubo di sminuzzatura.

- Scollegare il cavo della candela.
 - Rimuovere la protezione della cinghia.
 - Allineare uno degli alberi del gruppo di trinciatura al foro sotto il coperchio per la manutenzione.
 - Rimuovere i bulloncini dell'albero di trinciatura.
 - Inserire un'asta o cacciavite a croce nel piccolo foro sopra la puleggia nella piastra sinistra e sospingere l'albero di trinciatura fuori dal foro per la manutenzione.
 - Controllare le condizioni dell'albero di trinciatura. Sostituirlo qualora sia molto usurato, ossia se presenta rigature di oltre 1 mm di profondità. Sostituire i distanziatori usurati in modo analogo (vedere di seguito per le lunghezze).
- | DISTANZ N. | LUNGH (mm) | CODICE ART. | N. |
|------------|------------|-------------|----|
| 1 | 18 | 536043 | 2 |
| 2 | 36 | 536042 | 2 |
| 3 | 51 | 536045 | 4 |
| 4 | 51 | 536044 | 2 |
- Ripetere l'operazione per gli altri due alberi di trinciatura.
 - Quando si sostituiscono gli alberi e le lame, utilizzare dadi Nyloc nuovi per i bulloni degli alberi e montare nuovi bulloni se quelli esistenti sono danneggiati o usurati. Non riutilizzare le lame se presentano crepe o usura evidente.
 - Le lame devono essere installate come illustrato. Di particolare importanza, la lama X, che non ha distanziatori frapposti tra essa e il volano di trinciatura, deve essere installata sull'albero che ne consente la rotazione senza urtare i dadi che tengono in posizione la lama di sminuzzatura.

Rimozione del motore

Scollegare il motore dall'unità rimuovendo la protezione della cinghia, la cinghia di trasmissione, la molla di tensionamento della cinghia e i due perni bulloni del motore.

Rimozione del rotore

- Rimuovere la puleggia dal gruppo rotore rimuovendo anzitutto l'anello di sicurezza, quindi allentando la vite della flangia e ritraendo la puleggia con un estrattore. L'iniezione di un lubrificante quale il Penetrene nel foro della vite della flangia può facilitare la rimozione.
- Rimuovere il tunnel di trinciatura.
- Rimuovere il bullone da 13 mm dall'estremità dell'albero del rotore adiacente al tubo di sminuzzatura.
- Rimuovere i quattro dadi dai bulloni del cuscinetto.
- Allentare le quattro viti della flangia del cuscinetto con una chiave a brugola da 3 mm.
- Con una spina in ottone (o simili), fare passare l'albero di trinciatura parzialmente attraverso il cuscinetto sul lato del tubo di sminuzzatura della macchina.
- Rimuovere il cuscinetto sul lato della puleggia mediante un estrattore.
- Rimuovere le lame di sminuzzatura o assicurarsi che non si trovino vicine in alcun punto al tubo di sminuzzatura.
- Colpire leggermente l'albero del rotore dal lato della puleggia

con una mazzetta morbida. Prestare attenzione a non danneggiare le lame di sminuzzatura.

- Rimuovere il cuscinetto sul lato del tubo di sminuzzatura mediante un estrattore.
- Ora è possibile rimuovere il gruppo rotore smontando dalla macchina una delle piastre laterali.



NB!

Quando si rimonta l'unità, applicare Loctite 262 (o simile) sulla vite della flangia della puleggia e assicurarsi di montare sempre un anello di sicurezza di buona qualità.

Rimozione della cinghia

- Rimuovere la protezione della cinghia.
- Scollegare il cavo della candela.
- Allentare i quattro bulloni di montaggio del motore e fare scorrere quest'ultimo in avanti.
- Sollevare il motore e rimuovere la cinghia.
- Quando si installa una nuova cinghia, regolare la posizione del motore in modo che questo si trovi orizzontale quando la cinghia è in tensione.
- Montare la protezione della cinghia.

Risoluzione dei problemi

PROBLEMA	POSSIBILE CAUSA/E	AZIONE CORRETTIVA
Il motore non si avvia	Serbatoio del carburante vuoto Filtro serbatoio carburante intasato Cavo della candela scollegato Candela difettosa Candela difettosa	Rifornire con carburante del tipo corretto Pulire il serbatoio carburante Collegare il cavo alla candela Pulire la candela Sostituire la candela
Perdita di potenza, funzionamento irregolare	Cavo della candela allentato STARTER ancora attivo Circuito carburante ostruito Serbatoio carburante quasi vuoto Il carburatore deve essere regolato Filtro dell'aria sporco/intasato Residui nel serbatoio carburante	Serrare il collegamento della candela Portare la leva dello STARTER su NORMAL Pulire il circuito del carburante Rifornire di carburante Rivolgersi al rivenditore di zona Pulire o sostituire i filtri dell'aria Pulire il serbatoio carburante
Surriscaldamento del motore	Olio motore scarso Residui intorno al motore	Rabboccare con olio del tipo corretto Spegnerne l'unità e pulire l'area circostante il motore
Vibrazione dell'unità	Piastra di montaggio del motore allentata Lama di sminuzzatura danneggiata Residui incastrati tra le lame mobili Superficie irregolare	Rabboccare con olio del tipo corretto Spegnerne l'unità e pulire l'area circostante il motore
L'unità non scarica	Griglia di scarico intasata	Scollegare il cavo della candela, quindi rimuovere e pulire la griglia Aggiungere materiale secco o una miscela di materiali diversi Ridurre il volume dei materiali in entrata nel tunnel
Prestazioni scarse dell'unità	L'unità impiega più tempo per tagliare il materiale	Verificare che le lame mobili non siano danneggiate Controllare e sostituire o ruotare di 180° le lame di trinciatura Sostituire o affilare le lame di sminuzzatura Controllare che la tensione della cinghia sia corretta

Caratteristiche tecniche

Modello	Sminuzzatrice trinciatrice GRN 6.0 IC	Modello	Sminuzzatrice trinciatrice EU GRN 6.0 IC
Modello motore:	B&S HRZ, 205 cm ³	Modello motore:	B&S HRZ, 205 cm ³
Potenza del motore:	4,03 kW	Potenza del motore:	4,03 kW
Velocità nominale a vuoto:	3.600 giri/min	Velocità nominale a vuoto:	3.600 giri/min
Capacità serbatoio carburante:	3.800 ml	Capacità serbatoio carburante:	3.800 ml
Capacità serbatoio olio:	900 ml	Capacità serbatoio olio:	900 ml
Codice articolo lame di taglio:	536027 (lama di sminuzzatura) e 536030 (lama di trinciatura)	Codice articolo lame di taglio:	536027 (lama di sminuzzatura) e 536030 (lama di trinciatura)
Peso:	73 kg	Peso:	73 kg
Livello di pressione sonora LPA alla postazione dell'operatore:	92,3 dB(A) k=3 dB(A)	Livello di pressione sonora LPA alla postazione dell'operatore:	92,3 dB(A) k=3 dB(A)
Livello di potenza sonora misurata (LWA):	112,0 dB(A) k=3 dB(A)	Livello di potenza sonora misurata (LWA):	103,8 dB(A) k=3 dB(A)
Livello di potenza sonora garantita LWA (2000/14/CE):	112,0 dB(A)	Livello di potenza sonora garantita LWA (2000/14/CE):	112,0 dB(A)



Ikke bruk denne maskinen før den er riktig monteret og du har lest og forstått disse instruksjonene.



La ikke barn bruke dette utstyret.



Disse instruksjonene er ment som en generell guide og erstatter ikke på noen måte nasjonale eller lokale lover. Kontakt lokale myndigheter for klarhet i lover som er relatert til dette apparatet.

Oppbevar instruksjonene på et sikkert sted for fremtidig bruk.

Innhold

Symboler i denne brukerveiledningen	53
Symboler som er brukt på maskinen	53
Viktig sikkerhetsinformasjon	54
Montering	54
Driftsinstruksjoner	55
Oppstart	57
Hugging	57
Flisriving	57
Grunnleggende vedlikehold	58
Fjerning av hugg blad	58
Fjerning av flisriveblad	59
Fjerning av motor	59
Fjerning av rotor	59
Fjerning av beltet	59
Problemløsning	60
Teknisk informasjon	60

Symboler i denne brukerveiledningen



Truende fare eller farlig situasjon. Å ikke ta hensyn til disse instruksjonene kan føre til personskader eller forårsake ødeleggelse på eiendom.



Important information on proper handling. Not observing this instruction can lead to faults in the machine.



Brukerinformasjon. Denne informasjonen hjelper deg å bruke alle funksjonene på en riktig måte.

Symboler som er brukt på maskinen



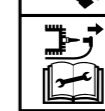
Les og forstå denne brukerveiledningen før du begynner å bruke maskinen.



Hold tilskuere på avstand. Fare for flygende objekter.



Hold armer og ben på avstand.



Fjern tennplugg.



Bruk alltid hørselsbeskyttelse når du bruker maskinen.



Bruk alltid øyebeskyttelse når du bruker maskinen.



Bruk alltid vernehansker når du bruker maskinen.



Advarsel! Hold hender og føtter på avstand fra de roterende bladene.



Advarsel! Hold føtter på avstand fra de roterende bladene.

Viktig sikkerhetsinformasjon

Vær vennlig å lese og forstå denne manualen helt før montering og bruk.

- Produsentens garanti kan bli gjort ugyldig ved uriktig bruk av dette produktet.
- Brukeren må forstå alle sikkerhetskrav som er oppført i denne manualen før han tar utstyret i bruk.
- Brukeren er ansvarlig for sikkerheten til alle tredjeparter når utstyret er i bruk.
- Bruk av alkohol og medikamenter med eller uten resept kan forringe brukerens evne til å sette sammen delene eller å bruke denne flishuggeren på riktig måte.
- Hvis du har spørsmål angående disse instruksjonene, kontakt din lokale forhandler for oppklaring før du bruker enheten.
- Enheten må være korrekt montert før bruk. Ser du bort fra instruksjonene kan det føre til alvorlig skade på maskin og/eller person.
- Forsikre deg om at enheten står på en jevn og stabil flate, og på en åpen plass før bruk (F.eks. ikke nær en vegg eller annet fast objekt).
- Forsikre deg om at alle drivstoffslanger er i god stand og er riktig montert.
- Flishuggeren skal sjekkes nøye for driftssikkerhet hver gang før bruk.
- Karbonmonoksid kan være ekstremt farlig i lukkede miljøer; ikke kjør maskinen i et lukket miljø siden eksos fra motoren inneholder karbonmonoksid, som er uten farge, lukt og smak. Ikke plasser hender eller andre kroppsdelene eller klær inn i materenna, avgangsområdet eller nær bevegelige deler.
- Før inspeksjon eller service på noen del av maskinen, skal maskinen skrues av. Forsikre deg om at alle bevegelige deler har stanset helt. Koble fra tennpluggen fra ledningen.
- Bruk spesifisert drivstoff med denne enheten. Spør forhandleren din etter det spesifikke drivstoffet som denne enheten er konstruert for.
- Ikke forlat flishuggeren uten tilsyn i mens den fortsatt er i gang.
- Tilskuere skal holdes på trygg avstand fra flishuggeren når den er i bruk.
- Hold barn og dyr på god avstand når enheten er i drift og når den holder på å stanse.
- Prøv aldri å flytte eller bikke på enheten når den er skrudd på eller før den har fått tid til å stanse helt.
- Deler av motoren blir ekstremt varme og kan forårsake alvorlige brannskader.
- Personen som opererer maskinen skal ha konstant oppsyn med materialet som bearbeides.
- Personen skal alltid befinne seg ved enheten når den er i gang.
- Forsikre deg om at maskinen er slått AV ved reguleringspjeldet etter bruk og når enheten er uten tilsyn.
- Produsenten eller deres representanter har ikke ansvar for at materiale som behandles forårsaker ubehag eller skade på personer.

Montering

1. De separate enhetene du skal ha i de to eskene er:-

Eske 1

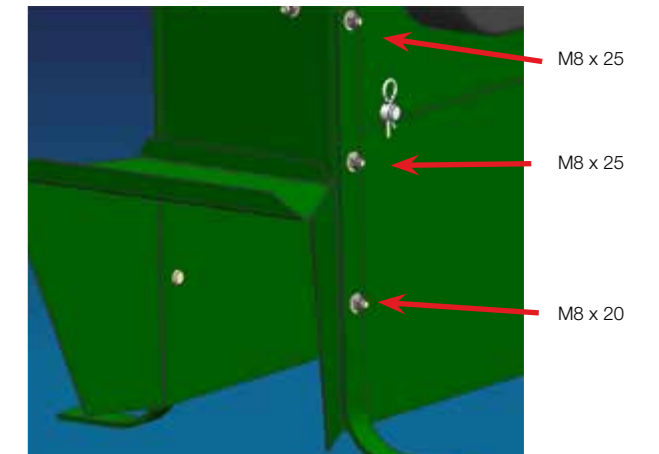
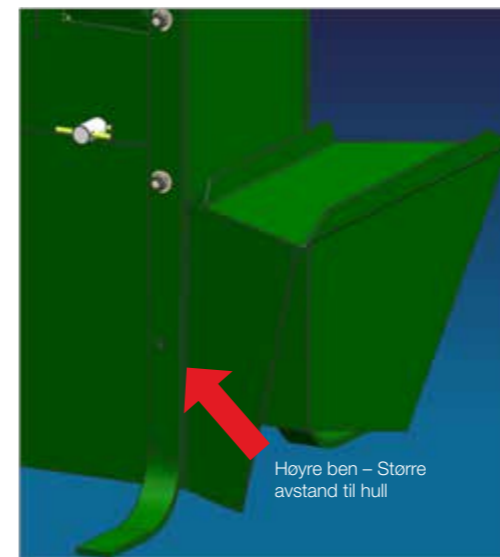
- Motor – Chassis montasje
- To L-formede ben
- To hjul
- En plastpose som inneholder:
 - En brukerveiledning
 - Et garantikort
 - Et motorhefte
 - En M8 x 20 mm skrue
 - Fire 16 mm akselpakninger
 - En 8 mm x 19 mm skive
 - En 8 mm nylocmutter
 - To låsesplinter

Eske 2

- En flisriver renne med påmontert gummiskjørt og metallplate
- Et rennehåndtak
- En huggerrenne med klemme
- Fire 35 mm bolter for rennehåndtak
- To 8 mm fjærskiver
- Åtte 8 mm x 19 mm skiver
- To M8 x 25 mm skruer
- Seks 8 mm nylocmuttere
- To rennesperrer

Til montering

1. Fjern enheten fra fraktstøtten. Fjern hjulakselen.
2. Bekreft at det ikke er olje eller drivstoff i motoren og rull chassiset forsiktig over på dens venstre side.
3. Bolt høyre ben fast i posisjon, og legg merke til at bena er høyre & venstre tilpasset fordi hullene er usymmetriske (bena har vært festet midlertidig på motsatt side av hensyn til forsendelsen – hold oversikt over sidene når du demonterer slik at det blir riktig).



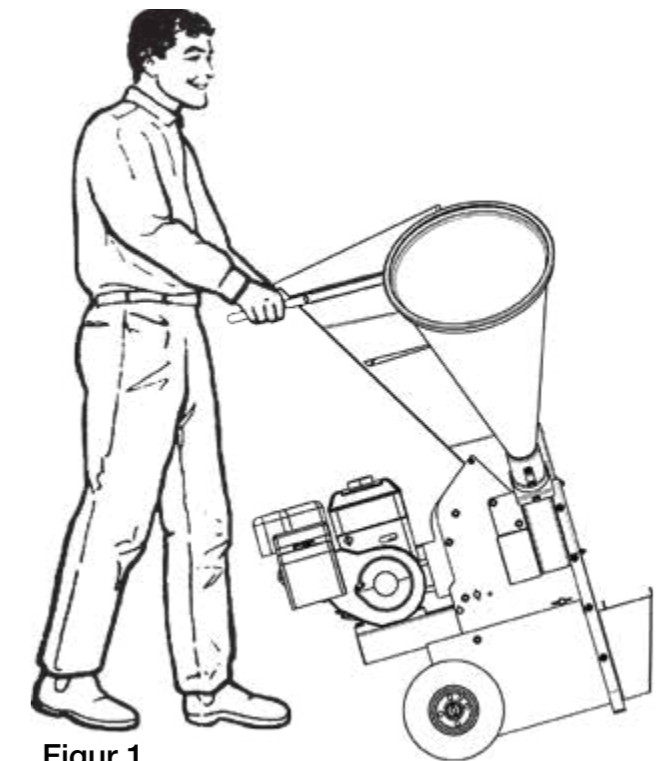
Driftsinstruksjoner

1. For å flytte enheten plasserer du en fot bak ett av hjulene og vipper enheten bakover til den passerer balansepunktet.



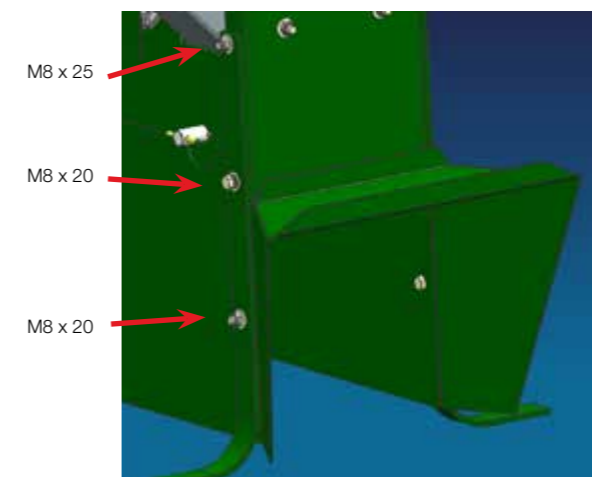
Advarsel

Flytt aldri enheten når motoren er i gang.

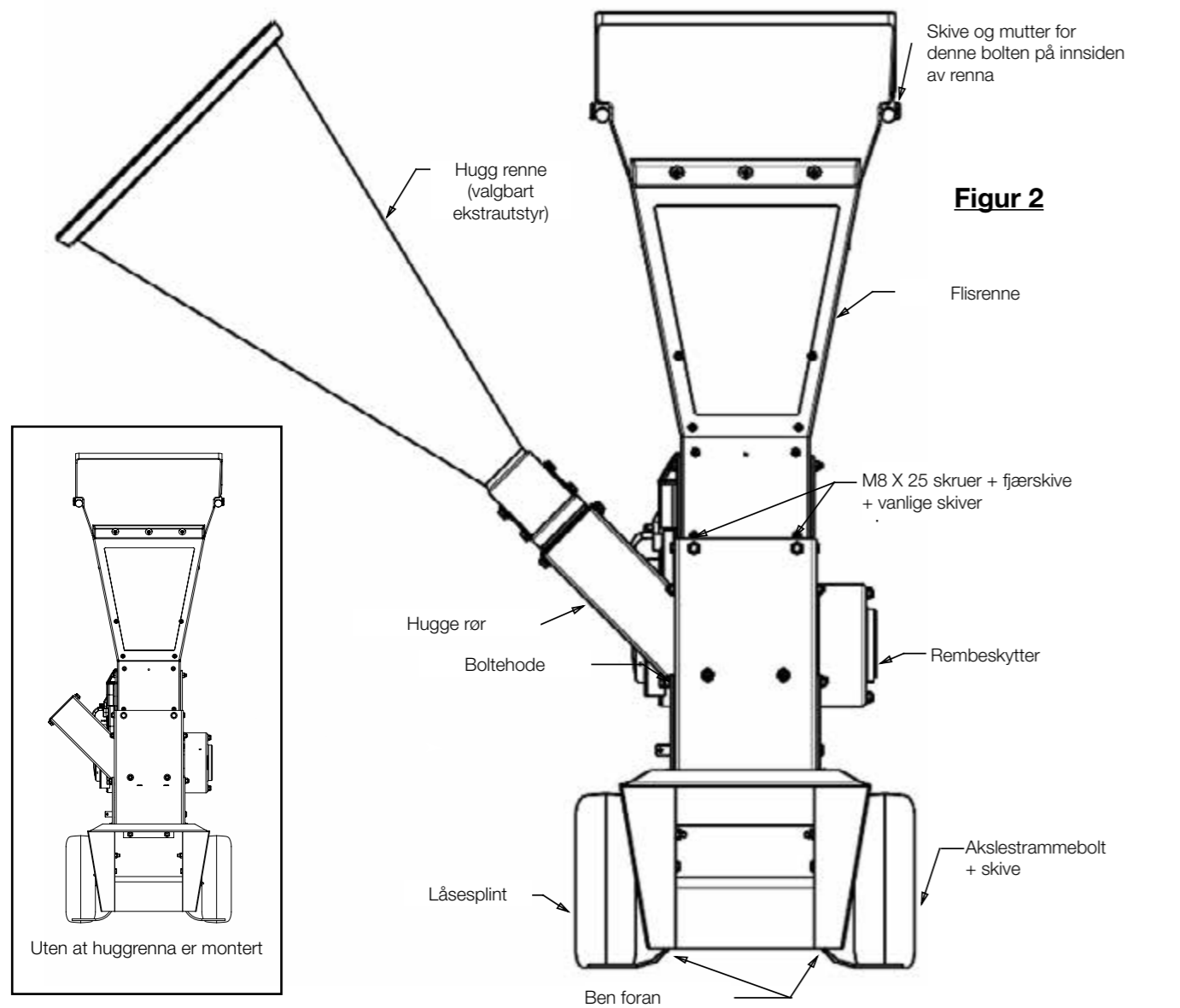


Figur 1

4. Monter et hjul på akslingen med en skive på hver side av hjulet. Monter akslingen og hjulet inn i chassiset. Rull forsiktig maskinen over på høyre side og monter det andre benet og hjulet som over. Monter akslingen.
5. Løft montasjen forsiktig slik at den står på hjulene og bena.
6. Løft motoren og fjern all emballasje som er under motorens monteringsplate.
7. Fest håndtaket til flisrenna.
8. Fest flisrenna til chassiset ved bruk av to 8 mm x 20 mm skruer og to låsesplinter som låser renna, med vanlige skiver og fjærskiver på skruene i fronten og med to nylocmuttere på utsiden av rennesidene. Se figur 2.
9. Fest huggerrenna til huggeslangen og stram klemmen (se figur 2).
10. Tilfør olje og drivstoff til motoren (se motorheftet)



2. Hold håndtaket med et fast grep på hver side med begge hender (for å forhindre tipping) når du krysser vanskelig terreng eller skråninger. Det kan noen ganger være enklere å dra enheten etter deg.
3. Med rennene fjernet vil enheten få plass i noen større stasjonsvogner, men må sikres i en oppreist tilstand hvis det er olje og drivstoff i motoren.



Figur 2

Forberedelse

1. Bruk alltid vernebriller når du bruker maskinen. Hørselsvern er også anbefalt, spesielt for forlengede driftsperioder.
2. Unngå å bruke løstsittende klær eller hengende snorer og skjær.
3. Før du starter maskinen må du kontrollere at skruer, muttere og andre fester er forskriftsmessig sikret. Erstatt ødelagte eller uleselige advarsler og dekaleringer.
4. **Advarsel** Utvis ekstra forsiktighet ved håndtering av drivstoff. Det er brannfarlig og dampen er eksplosiv.
 - a) Bruk kun godkjente beholdere til drivstoff.
 - b) Fjern aldri tanklokk eller fyll drivstoff når motoren går. La motoren avkjøles før tanking. Ikke røyk under tanking.
 - c) Tank aldri opp maskinen innendørs.
 - d) Lagre aldri maskinen eller drivstoffet innendørs der det er åpne flammer som f.eks. vannvarmer.
 - e) Alltid sett på og lukk tanklokket ordentlig etter tanking.
 - f) Hvis det er sølt drivstoff skal du ikke forsøke å starte maskinen, men flytte maskinen vekk fra det tilsølte området før du starter opp igjen.
 - g) Hvis drivstofftanken skal tømmes, må det gjøres utendørs.

Driftssikkerhet

DRIFT

1. Når flisriveren mates med materialer må du utvise stor forsiktighet slik at biter av metall, steiner, flasker, bokser eller andre fremmedlegemer ikke inkluderes.
2. Hvis kuttemekanismen treffer et fremmedlegeme eller hvis maskinen begynner å lage en uvanlig lyd eller vibrasjon, skal motoren straks skrus av slik at maskinen stanser. Koble ut tennpluggen og ta de følgende stegene:
 - 1) Inspiser for skade
 - 2) Erstatt eller reparer alle ødelagte deler med tilsvarende spesifikasjoner.
 - 3) Se etter og stram til alle løse deler
 Ikke forsøk å reparere maskinen hvis du ikke er kompetent til å gjøre det.
3. Hold motoren fri for rusk og andre opphopninger for å unngå skade på motoren eller mulig brann.
4. Hold alle vern og ledeplater på plass og i god stand.
5. Stå alltid utenfor avstrømningsområdet når du bruker maskinen.
6. Hold ansikt og kropp unna matings og avstrømningsområdet.
7. Ikke strekk deg over. Stå aldri på et høyere nivå enn maskinens base når du mater materialer inn i den. Vær alltid i balanse og ha god fotstilling.
8. Ikke la bearbeidet materiale bygge seg opp i avstrømningssonen; dette kan hindre avstrømmingen

og kan resultere i at materialet presses tilbake igjennom innmatningsåpningen.

9. Hvis maskinen tettes i inntaket eller avstrømningsrenna, skru du av strømkilden og kobler fra tennpluggledningen før du fjerner avfallet i inntaket eller avstrømningskanalen. Husk at kutteanordningene på maskinen vil fortsatt bevege seg når startmekanismen på motorderevne maskiner betjenes.
10. Ikke endre på motorens hovedinnstillinger: disse kontrollerer den maksimale hastigheten for trygg drift og beskytter motoren og alle bevegelige deler fra skade forårsaket av overhastighet. Oppsøk autorisert service hvis det oppstår et problem.

VEDLIKEHOLD OG LAGRING

1. Når dette utstyret er stanset for service, inspeksjon, lagring eller endring av tilbehør, forsikre deg om at tennpluggledningen er koblet fra tennpluggen. Forsikre deg om at alle bevegelige deler har stanset helt. La maskinen kjøles ned før alle inspeksjoner, justeringer osv. Hold maskinen godt vedlike og hold den ren.
2. Lagre maskinen utenfor barns rekkevidde og der drivstoffdamp ikke kommer i kontakt med åpen flamme. Tøm enheten for drivstoff ved forlenget lagring. La alltid maskinen avkjøles før lagring.
3. Når du utfører service på kutteanordningen skal du være oppmerksom på at selv om strømkilden ikke vil starte på grunn av blokkeringsegenskapen til vernet, kan kutteanordningen fremdeles bevege seg ved hjelp av den manuelle startmekanismen.

Opstart

1. Sikre at flishuggeren er på stabil grunn slik at den ikke tipper. Ikke bruk maskinen på en hard overflate som f.eks. betong, da det utstrømmende materiale kan sprette og skade personer eller utstyr.
2. Før motoren startes må du kontrollere at motorens monteringsplate er omtrent horisontal. Hvis ikke - se vedlikeholdsinstruksjoner.
3. Se i motorheftet for detaljer om tilsetning av olje eller drivstoff til motoren din.
4. Følg instruksjonene om choking av motoren (hvis den er kald).
5. Trekk i startsnora til motoren starter og åpne choken etter omtrent 5 sekunder.
6. Juster trottelen for å oppnå den ønskede driftshastigheten.
7. Når motoren er varm er det ikke lenger nødvendig å bruke choke når du skal starte på nytt.
8. Ikke start opp igjen når det er materialer i huggerøret eller i fliserenna. Tilleggsbelastningen kan forårsake alvorlig slitasje på driverbeltet eller du kan ødelegge snorstarteren på motoren.

Hugging

Advarsel

Putt aldri hender eller fingre i huggerenna. For å beskytte andre skal du aldri forlate maskinen ubevoktet når den er i gang.

1. Grener opp til 65 mm i diameter kan hugges når du bruker huggerøret på siden av enheten (50 mm uten huggerøret med strupeplate). Grønt tømmer hugges mye raskere enn tørt tømmer. Ikke hugg tre som inneholder spiker.
2. Hvis enheten ikke kan plasseres på flaten der flisene skal spres, så kan det legges plastikk eller lerret under maskinen for å samle opp flisen.

Important!

Do not move the unit with the engine running. The resultant tilting may starve the engine of oil and cause it to seize.

3. Hvis motoren sakter vesentlig under hugging må du redusere greninnmatingsraten til maskinen. Dette vil resultere i mindre flis og vil øke levetiden til drivverket. Alternativt; kontroller om bladene er sløve.

Merk!

KAST IKKE biter med større diameter enn 15 mm inn i fliskutteren. Dytt dem ned huggerenna med et annet trestykke.

4. Å rotere grenene når du hugger flis kan redusere tilfellene av bark som surrer seg rundt skaftet og fører til blokkering.
5. Grener med flere små kvister kan mates inn i huggerenna til du kun har en håndfull små blader og kvister. Denne håndfullen kan da slippes inn i huggerenna.
6. Hvis huggeren blokkeres skal motoren stoppes øyeblikkelig (hvis den ikke har stanset av seg selv). Koble tennpluggen fra ledningen og flytt ledningen unna tennpluggen. Fjern materialet som er årsaken før du starter igjen. Dette kan bety at du må senke flisnettet, snu fliskuttermontasjen bakover og bryte materialet ut av røret.

Merk!

FORTSETT IKKE huggingen hvis drivbeltet glipper eller ryker. Se vedlikeholdsinformasjon for justering av beltet.

Advarsel

Ikke kjør maskinen når det lille vedlikeholdsdekslet står i åpen posisjon eller er fjernet. Kan resultere i alvorlig skade.

Flisriving

Advarsel

- A. Ikke dytt materiale inn i flisrenna med bare hendene. Bruk en grønn gren eller en bit myk ved.
- B. Bruk vernebriller.

1. Mange organiske materialer så vel som løv og grener kan flishugges. Tynne stammer må kuttet ned til korte lengder (rundt 300 mm) før de mates inn i flisrenna fordi de kan surre seg rundt skaftet. Dette kan forårsake blokkering av enheten og stor skade på operatøren.

Viktig!

Ikke forsøk å flise opp objekter som glass, metall, plastikkflasker eller steiner.

2. Bruk fortrinnsvis hansker når du mater små grener inn i flisrenna, hold grenene løst og slipp dem lenge før de kommer i kontakt med de roterende bladene.

Viktig!

Vær forberedt på et plutselig rykk når flisbladene griper tak i grenene.

3. Grener over 15 mm i diameter vil gå rundt inne i flishuggeren i noen tid og kan skade flis-sila. Disse grenene skal i stedet mates inn i flisrenna.
4. Løv flises veldig godt, spesielt hvis de ikke inneholder lange pinner og de mates løst stablet inn i flisrenna, dvs. ikke tvinges ned i renna hvis de er sammenklumpet. Stopp motoren og løs

- opp opphopningen.
- Hold et konstant øye med området under maskinen for å sikre at det oppflisede materialet ikke har bygget seg opp til et nivå der det ikke er rom for at mer fliset materiale kan komme ut. Dette kan forhindre korrekt uttømming og kan forårsake at materialet kommer tilbake opp gjennom materenna. Flytt maskinen bakover et kort stykke når materialet bygger seg opp på undersiden.



Advarsel

Putt aldri hender eller føtter inn under maskinen når den kjører.

- Kontroller innmatingraten i flishuggeren slik at motoren ikke overbelastes. Prøv spesielt å unngå raske endringer i maskinhastigheten som kommer av brå innmating av store mengder.
- Stopp maskinen hvis flis-sila tilstoppes, trekk ut R klipsen fra boltene som stikker fram under remsbeskytteren nær det venstre benet foran. Bruk T grepet under huggerøret, trekk ut splinten fra flis-sila. Dette vil generelt føre til at sila åpnes nedover. Hvis den er tilstoppet kan den brytes forsiktig opp ved å bruke flisstangen eller en stor skrutrekker.



Advarsel

Ikke roter flismontasjonen uten at du først kobler tennpluggledningen fra tennpluggen og legger ledningen på avstand fra tennpluggen.

- Med en gang tilstoppingen er fjernet skyver du silen på plass og fester splinten. Merk at T grepet må være horisontal for at splinten skal gå helt igjennom silen. Sett på plass R klipsen.
- Hvis sila blokkeres gjentatte ganger nå du fliser materialer som vått løv kan du prøve å blande litt tørt materiale for å skrubbe sila klar eller bruk (det valgbare) gitteret. Se under.
- Etter å ha fliset trevlet materiale som palmeløv, fjern flisrenna og kontroller at de ikke har snurret seg fast rundt rotorenden, på innsiden av kammeret. Hvis den har gjort det kan du fjerne dem forsiktig med et flatt skrujern. Noen typer palmeblad kan kuttes i huggerenna.

Viktig!



Hvis materialet som har surret seg fast rundt skaftet ikke blir fjernet, blir skaftet varmt og "koker" oljen i aksellageret. Lageret vil da gå i stykker.

11. BRUK AV (VALGFRITT EKSTRAUTSTYR) GITTER

(929304). For flising av mykt, klumpete eller vått materiale som ugress eller avfall fra grønnsaksdyrking, kan det kjøpes et valgfritt gitter. For å montere gitteret, skru av motoren, koble fra tennpluggledningen og remsbeskyttelsen. Trekk ut R klipsen som sikrer flishuggerens nettstag, fjern stag og nett. Sett inn gitteret fra undersiden og sett inn stagene gjennom gitteret. Sett på plass R klipsen, remsbeskyttelsen og tennpluggledningen.

Grunnleggende vedlikehold

NØDVENDIG VERKTØY

- To 13 mm stjernenøkler.
 - 5 mm unbrakonøkkel.
 - skiftenøkkel 10"
- Hver 5-10 timer drift skal du kontrollere oljenivå og fylle på om nødvendig. Bytt oljen i samsvar med instruksjonene i motorheftet.
 - Sjekk motorens luftrensers tilstand regelmessig, spesielt i støvete omgivelser.

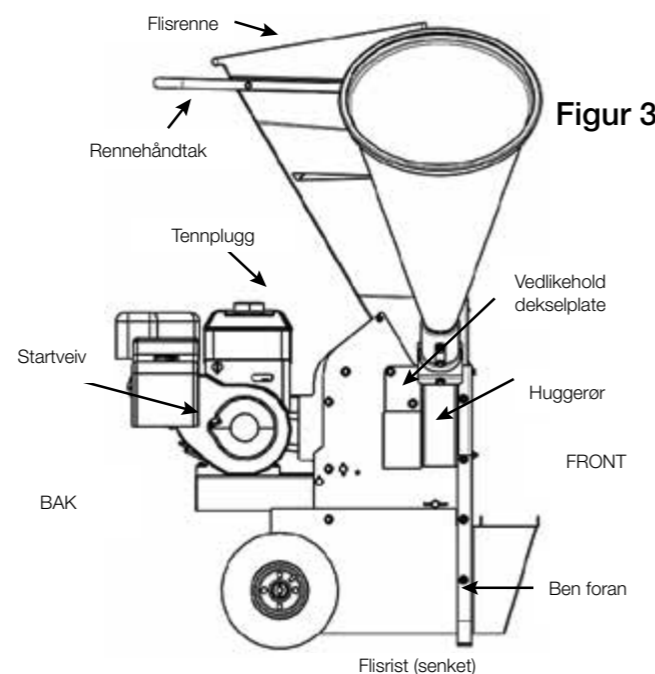
- Drivbeltet kan strekke seg etter en kort periode med bruk, men skal etter det stabilisere seg for en lengre periode hvis det ikke overbelastes eller slurer mye. Hvis motoren ikke er i tilnærmet jevn posisjon (f.eks. om den skråner bakover bort fra renna) kan fjærtrykket på beltet reduseres og forårsake at beltet glipper. For å returnere motoren til et plant nivå: Fjern remsbeskyttelsen; løsne de 4 monteringsboltene til motoren ved hjelp av to 13 mm skiftenøkler; hev monteringsplaten til motoren vipper litt forover; trekk motoren bakover i monteringssporene og stram til monteringsboltene; kontroller at motoren nå er plan; stram til de gjenværende motorboltene; sett remsbeskyttelsen på plass igjen.



Merk!

Sett inn nytt drivbelte når motoren har nådd enden av sporene og beltet slurer.

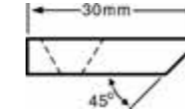
- Hvis motoren vibrerer mye kan det hende at de 10 mm motortappboltene har behov for stramming. Ikke stram dem helt, og kontroller etter stramming at motoren fortsatt kan dreies ved å løfte den med hånden. Hvis den ikke kan dreies vil beltet slure siden vekten av motoren holder beltet stramt. Fjerning og smøring av tappboltene minst en gang i året vil øke levetiden til pivotforingene. Nye nylockmuttere kan være nødvendig etter at de har blitt fjernet noen ganger.



Fjerning av huggblad

- Koble tennpluggledningen fra tennpluggen og legg ledningen litt unna tennpluggen.
- Fjern flisrenna.
- Løsne den øvre boltene på vedlikeholdsdekselet og fjern den nedre boltene.
- Vri vedlikeholdsdekselet til siden for å blottlegge hullet under platen.
- Vri fliskutterens rotor til huggbladene er på motsatt side av vedlikeholdsåpningen.
- Fjern rusk fra hullene i de to umbracoskruene med et skarpt objekt som f.eks. en spiker.
- Fjern skruene og huggbladet ved å bruke en unbrakonøkkel og en 13 mm skiftenøkkel. [VÆR OPPMERKSOM PÅ DEN SKARPE KANTEN PÅ HUGGEBLADET.]
- Slip bladet til 45°. Form begge bladene likt for å

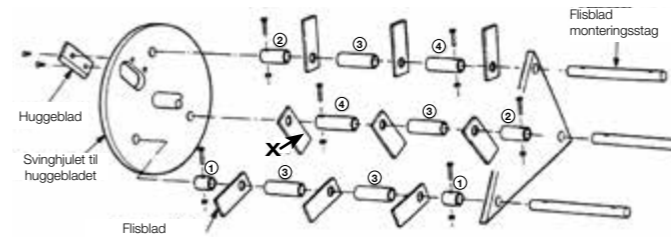
oppretholde balansen. Minimum bladdimensjon er:



Bruk aldri huggblad med sprekker.

- Bruk nye nylocmuttere når huggbladet byttes ut, og nye bolter hvis de ser skadede ut. Sikre at bladet er montert flatt på svinghjulets overflate før du strammer til.

Fjerning av flisriveblad



Modeller med to flisblader. Kontroller posisjonen til bladsporene til flisstagene slik at bladet X kan gå rundt på staget uten å treffe flisbladskruen.

NØDVENDIG VERKTØY

- 4 mm unbrakonøkkel.
- 8 mm skiftenøkkel.
- 1/4" stag eller en stjerneskrutrekker med et skaft på 6 mm i diameter eller mindre.
- Lageravdrager.
- To 18 mm skiftenøkler.
- 1/8" unbrakonøkkel.



Viktig!

Kontroller rotorsammenstillingen for å løsne bolter og ødelagte, slitte eller bøyde deler for hver 20 timers bruk eller etter sammenstøt med et fremmedlegeme. Erstatt slitte eller ødelagte deler.

- Flisbladene kan snus 180° for å få frem nye kuttflater.
- For å fjerne bladene må du først fjerne flissklia og åpne vedlikeholdsdekselet nær huggerøret.
- Fjern tennpluggledningen fra tennpluggen.
- Fjern remsbeskyttelsen.
- Still inn ett fliskutter montasjestag med hullet under vedlikeholdsdekselet.
- Fjern de små boltene gjennom flissjakten.
- Sett inn et stag eller en stjerneskrutrekker gjennom trinseskaffet og skyv fliskutterskaftet ut i gjennom vedlikeholdsåpningen.
- Sjekk tilstanden til fliskutterstaget. Hvis det har dype rifter (f.eks. dypere enn 1 mm) skal det byttes. På samme måte skal slitte avstandsstykker byttes ut (se lengder under)

AVSTSTK Nr.	LENGDE (mm)	DEL Nr.	Nr.
1	18	536043	2
2	36	536042	2
3	51	536045	4
4	51	536044	2

- Gjenta samme operasjon for de andre to flisstagene.
- Når du bytter ut stag og blader skal du bruke nylocmuttere på stagboltene og installere nye bolter hvis de er skadet eller slitte. Ikke bruk sprukne eller veldig slitte blader.
- Bladene må installeres som vist. Spesielt viktig er det at X bladet, som ikke har noe avstandsstykke mellom seg og huggerens svinghjul, må være på staget som tillater det å

rotore om staget uten at det tilsmusser mutterne som holder huggbladene i posisjon.

Fjerning av motor

Koble motoren fra enheten ved å fjerne remsbeskyttelsen, drivreima, beltestrammefjæra og de to dreieboltene.

Fjerning av rotor

- Fjern trinsa fra rotorsammenstillingen ved først å fjerne låseringen, deretter fjernes hovedskruen og så trekkes trinsen ut ved bruk av en avdrager. Penetrene olje injesert gjennom hovedskruerhullet kan hjelpe når du skal fjerne trinsen.
- Fjern flisrenna.
- Fjern den 13 mm store skruen fra enden av rotorstaget ved siden av kutterøret.
- Ta de fire mutterne fra lagerskruene.
- Løsne alle de fire lager navskruene ved bruk av en 3 mm unbrakonøkkel.
- Med en lagerforing (eller liknende) skyver du flisstaget delvis igjennom lageret på huggerørsiden av maskinen.
- Fjern lageret på trinsesiden av maskinen ved bruk av en avdrager.
- Fjern huggbladene eller forsikre deg om at bladene ikke er nær huggerøret.
- Ta rotorstaget løs fra trinsesiden ved hjelp av en myk hammer. Vær forsiktig slik at ikke huggbladene ødelegges.
- Fjern lageret på huggerørsiden av maskinen ved bruk av en avdrager.
- Rotorsammenstillingen kan nå fjernes ved å koble fra en av maskinens sideplater.



Merk!

Når den settes sammen igjen, ha Loctite 262 (eller liknende) på lagerhovedskruen og sikre alltid at det settes på en god låsering.

Fjerning av beltet

- Fjern remsbeskyttelsen.
- Koble tennpluggledningen fra tennpluggen.
- Løsne de fire monteringsboltene til motoren og skyv motoren forover.
- Hev motoren og fjern beltet.
- Når det er installert et nytt belte, juster motorposisjonen igjen slik at den er plan når beltet er stramt.
- Fest remsbeskyttelsen.

Problemløsning

PROBLEM	MULIG(E) ÅRSÅK(ER)	FORBEDRENDE HANDLING
Motoren vil ikke starte	Bensintanken er tom Bensintankfilteret er tett Tennpluggledningen er koblet fra Ødelagt tennplugg. Ødelagt tennplugg.	Fyll opp bensintank med riktig drivstoff Rengjør bensintank Koble ledningen til tennpluggen Rengjør tennplugg. Erstatt tennplugg.
Tap av kraft, uberegnelig operasjon	Tennpluggledningen er løs Enheden har fortsatt choken på Blokkert drivstoffvei Bensintanken er nesten tom Karburatoren må stilles inn Skitten/Tett luftfilter Bensintanken er skitten	Stram tennpluggforbindelsen Sett CHOKE bryteren til NORMAL Rengjør bensinslanger Fyll bensintanken Kontakt din lokale forhandler Rengjør eller bytt ut luft filter Rens bensintanken
Motoren overopphetes	Lavt motorolje nivå Rusk rundt motoren	Fyll på riktig olje Skru av enheten og vask rundt motoren
Enheden vibrerer	Motormonteringsplate er løs Huggebladet er skadet Pakket rusk i treskestavbladene. Ujevn overflate	Stram monteringsplate, vis til O/M Kontroller blader og erstatt om nødvendig Sjekk treskestavblader og fjern rusk. Flytt enheten til en flat overflate
Enheden tømmer seg ikke	Tømmerista er tett	Koble fra tennpluggledningen og fjern og rens rista Tilfør tørt eller annen type materiale i blandingen Minsk mengden som går inn i sklia
Enheden presterer ikke	Enheden bruker lenger tid på å bearbeide materiale	Sjekk at ikke treskestavbladene er ødelagt. Kontroller og erstatt/snu 180° flisblader Erstatt eller slip huggebladene Kontroller beltet for riktig stramming

Teknisk informasjon

Modell:	Chipper Shredder GRN 6.0 IC
Motorstype:	B&S HRZ, 205cm ³
Motorstyrke:	4,03kW
Klassifisert hastighet uten last:	3600/min
Bensintank kapasitet:	3800 ml
Oljetank kapasitet:	900 ml
Huggeblad delenummer:	536027 (Huggeblad) & 536030 (Flisblad)
Vekt:	73 kg
Lydtrykknivå LPA ved operatørens posisjon:	92,3 dB(A) k=3dB(A)
Målt lydtrykknivå LWA:	112,0 dB(A) k=3dB(A)
Garantert lydstrykenivå LWA (2000/14/EC):	112,0 dB(A)

Modell:	Chipper Shredder EU GRN 6.0 IC
Motorstype:	B&S HRZ, 205cm ³
Motorstyrke:	4,03kW
Klassifisert hastighet uten last:	3600/min
Bensintank kapasitet:	3800 ml
Oljetank kapasitet:	900 ml
Huggeblad delenummer:	536027 (Huggeblad) & 536030 (Flisblad)
Vekt:	73kg
Lydtrykknivå LPA ved operatørens posisjon:	92,3 dB(A) k=3dB(A)
Målt lydtrykknivå LWA:	103,8 dB(A) k=3dB(A)
Garantert lydstrykenivå LWA (2000/14/EC):	112,0 dB(A)



Przed uruchomieniem niniejszego urządzenia należy je złożyć we właściwy sposób oraz przeczytać i zrozumieć załączone instrukcje.



Nie należy pozwalać dzieciom operować tym urządzeniem.

Niniejsze instrukcje są jedynie natury ogólnej i w żadnej mierze nie mają na celu zastępowanie lokalnych czy krajowych przepisów. Z pytaniami na temat przepisów odnoszących się do niniejszego urządzenia należy kierować się do miejscowych władz.

Niniejszą instrukcję należy zachować w bezpiecznym miejscu do wglądu na przyszłość.

Spis treści

Symbole wykorzystywane w Podręczniku Użytkownika	63
Symbole zastosowane na urządzeniu	63
Istotne informacje w zakresie bezpieczeństwa	64
Montaż	64
Instrukcja obsługi	65
Włączanie urządzenia	67
Rozdrabnianie	67
Strzępienie	67
Podstawowa konserwacja	68
Zdejmowanie noża rozdrabniacza	69
Zdejmowanie noża strzępiarki	69
Wyjmowanie silnika	69
Wyjmowanie rotora	70
Zdejmowanie pasa klinowego	70
Wykrywanie i usuwanie usterek	71
Dane techniczne	71

Symbole wykorzystywane w Podręczniku Użytkownika



Możliwe ryzyko lub niebezpieczna sytuacja. Nie stosowanie się do niniejszych instrukcji może skończyć się obrażeniami ciała lub szkodami materialnymi.



Istotne informacje w zakresie obchodzenia się z urządzeniem. Nie stosowanie się do niniejszych instrukcji może spowodować uszkodzenie urządzenia.



Informacje dla użytkownika. Podane tu informacje ułatwiają właściwe wykorzystywanie wszystkich funkcji.

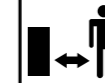
Symbole zastosowane na urządzeniu



Przed operowaniem urządzeniem należy przeczytać i zrozumieć niniejszy Podręcznik Użytkownika.



Nie pozwalać zbliżać się osobom trzecim. Niebezpieczeństwo w związku z odpryskiwaniem materiału.



Ręce i stopy trzymać w bezpiecznej odległości.



Wyjąć świecę zapłonową.



Przez cały czas pracy z urządzeniem należy nosić osłonę uszu



Przez cały czas pracy z urządzeniem należy nosić osłonę oczu



Przez cały czas pracy z urządzeniem należy nosić rękawice ochronne



Ostrzeżenie! Ręce i stopy trzymać w bezpiecznej odległości od obrotowych noży.



Ostrzeżenie! Trzymać stopy w bezpiecznej odległości od obrotowych noży.

Istotne informacje w zakresie bezpieczeństwa

Przed złożeniem i użytkowaniem urządzenia, prosimy o dokładne przeczytanie i zrozumienie niniejszego podręcznika.

- Niewłaściwe użycie może unieważnić gwarancję producenta.
- Przed użyciem urządzenia użytkownik musi zrozumieć wszystkie wyszczególnione w niniejszym podręczniku wymagania w zakresie bezpieczeństwa.
- W trakcie obsługi urządzenia użytkownik odpowiedzialny jest za bezpieczeństwo osób trzecich.
- Spożycie alkoholu i używanie leków na receptę lub bez recepty może zaburzyć zdolność do prawidłowego montażu lub bezpiecznej obsługi rozdrabniacza/strzępiarki.
- W przypadku jakichkolwiek pytań dotyczących niniejszych instrukcji, przed rozpoczęciem pracy z urządzeniem należy skontaktować się z lokalnym dystrybutorem.
- Urządzenie musi zostać przed użyciem poprawnie złożone. Nie przestrzeganie instrukcji podanych w tym podręczniku może być przyczyną poważnych szkód materialnych lub obrażeń.
- Przed uruchomieniem ustawić urządzenie na płaskim, stabilnym podłożu i na otwartej przestrzeni (tzn. nie w pobliżu ściany lub innej stałej struktury).
- Upewnić się, że przewody paliwowe są w dobrym stanie i że zostały prawidłowo podłączone.
- Rozdrabniacz/strzępiarkę każdorazowo przed użyciem należy dokładnie sprawdzić pod kątem bezpieczeństwa obsługi.
- Tlenek węgla może być bardzo niebezpieczny w zamkniętej przestrzeni. Nie wolno uruchamiać urządzenia w zamkniętej przestrzeni, jako że gazy wydechowe zawierają tlenek węgla, który jest gazem bezbarwnym, bezwonnym i bez smaku.
- Ręk i żadnej innej części ciała lub ubrania nie zbliżać do rynniny podajnika, okolicy otworu wylotowego i jakiegokolwiek części ruchomej.
- Przed rozpoczęciem inspekcji lub serwisu jakiegokolwiek części urządzenia, należy wyłączyć źródło zasilania. Upewnić się, że wszystkie ruchome części kompletnie się zatrzymały. Zdjąć kabel zapłonowy ze świecy.
- Stosować właściwe paliwo dla urządzenia. Potwierdzić u dystrybutora, jakie paliwo jest właściwe dla niniejszego urządzenia.
- Nie zostawiać włączonego urządzenia bez nadzoru.
- Gdy maszyna jest w użyciu, obserwatorów należy trzymać w bezpiecznej odległości.
- Gdy maszyna jest w użyciu i gdy się zatrzymuje, dzieci i zwierzęta należy trzymać w dużej odległości.
- Urządzenia nie wolno przechylać, gdy jest włączone lub zanim się zatrzymało.
- Części urządzenia mogą się bardzo rozgrzać i mogą spowodować ciężkie oparzenia.
- Osoba obsługująca urządzenie musi nieustannie uważać na wkładany do środka materiał.
- Gdy urządzenie jest w ruchu, osoba musi pozostawać przy nim przez cały czas.
- Upewnić się, że po użyciu oraz gdy urządzenie pozostaje bez nadzoru, silnik został wyłączony przy przepustnicy.
- Producent i jego Agenci nie przyjmują odpowiedzialności za żaden włożony do przerobienia materiał, który stał się przyczyną niewygody lub obrażeń ciała

Montaż

1. W dwóch kartonach powinny znajdować się następujące elementy urządzenia:-

Karton 1

- Silnik – Części obudowy
- Dwie nóżki w kształcie litery L
- Dwa kółka
- Plastyczna torebka z następującą dokumentacją:
 - Podręcznik Użytkownika cja
 - Gwarancja
 - Instrukcja obsługi silnika
 - Jedna śruba M8 x 20 mm
 - Cztery podkładki do osi 16 mm
 - Jedna podkładka 8 mm x 19 mm
 - Jedna nakrętka Nyloc 8 mm
 - Dwie przetyczki

Karton 2

- Rynnina strzępiarki z zainstalowaną gumową klapką i metalową płytką
- Rękojeść rynniny
- Rynnina rozdrabniacza z zaciskiem
- Cztery wkręty 35 mm do rękojeści rynniny
- Dwie podkładki sprężynowe 8 mm
- Osiem podkładek 8 mm x 19 mm
- Dwie śruby M8 x 25 mm
- Sześć nakrętek Nyloc 8 mm
- Dwa elementy ustalające rynniny

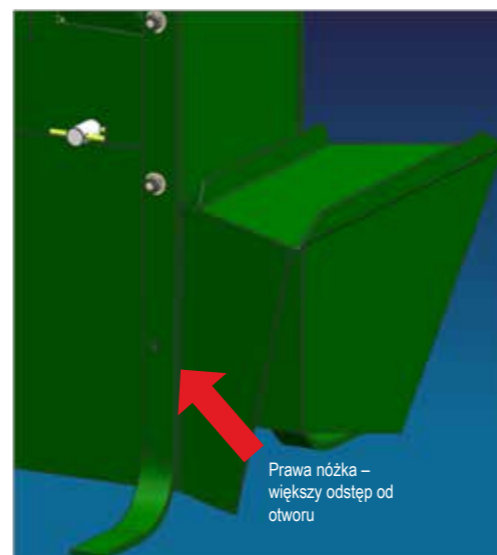
Kolejność montażu

- Urządzenie wyjąć z opakowania transportowego. Wyjąć osłony kół.
- Upewnić się, że silnik nie zawiera oleju lub paliwa i ostrożnie przewrócić obudowę na lewy bok.
- Przymocować we właściwej pozycji prawą nóżkę pamiętając, że w zestawie znajduje się prawa i lewa nóżka z różnym położeniem otworów (nóżki zostały tymczasowo przymocowane na czas transportu po przeciwnych stronach – przy rozkładaniu należy pamiętać o ich właściwym położeniu).



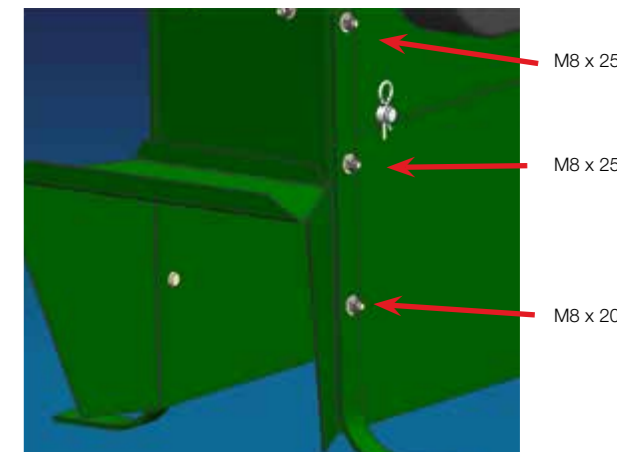
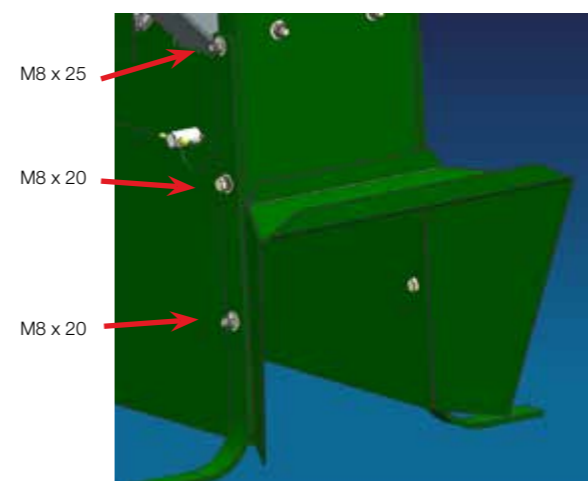
Lewa nóżka – przymocować po przeciwnej stronie

Prawa nóżka – przymocować po przeciwnej stronie



Prawa nóżka – większy odstęp od otworu

- Do osi przymocować kółko, przykładając podkładkę po jego obu stronach. Oś z kółkiem zamocować w obudowie. Ostrożnie przewrócić urządzenie na prawy bok i przymocować drugą nóżkę i kółko jak powyżej. Założyć zawleczkę osi.
- Zestaw ostrożnie podnieść, tak aby stanął na nóżkach i kółkach.
- Podnieść silnik i usunąć wszystkie materiały opakunkowe znajdujące się pod jego płytą podstawy.
- Do rynniny strzępiarki przymocować rękojeść.
- Zamocować rynninę strzępiarki na obudowie przy pomocy dwóch śrub 8 mm x 20 mm i dwóch elementów ustalających rynniny, nakładając podkładki zwykłe i sprężynowe na śruby z przodu, a dwie nakrętki Nyloc na zewnątrz rynniny po bokach. Patrz Rys. 2.
- Przymocować rynninę rozdrabniacza do rury rozdrabniacza i zaciśnąć zacisk (patrz Rys. 2).
- Do silnika wlać olej i paliwo (patrz instrukcja obsługi silnika)

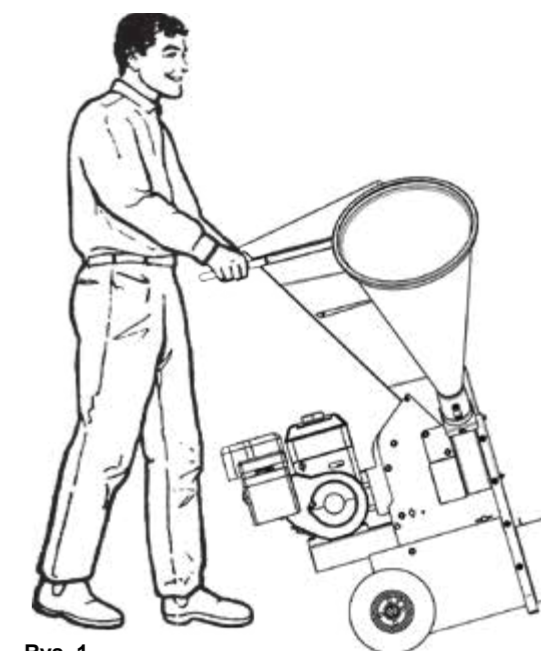


Instrukcja obsługi

- W celu przestawienia urządzenia należy postawić stopę z tyłu kółka i przechylić maszynę do tyłu poza jej punkt równowagi.

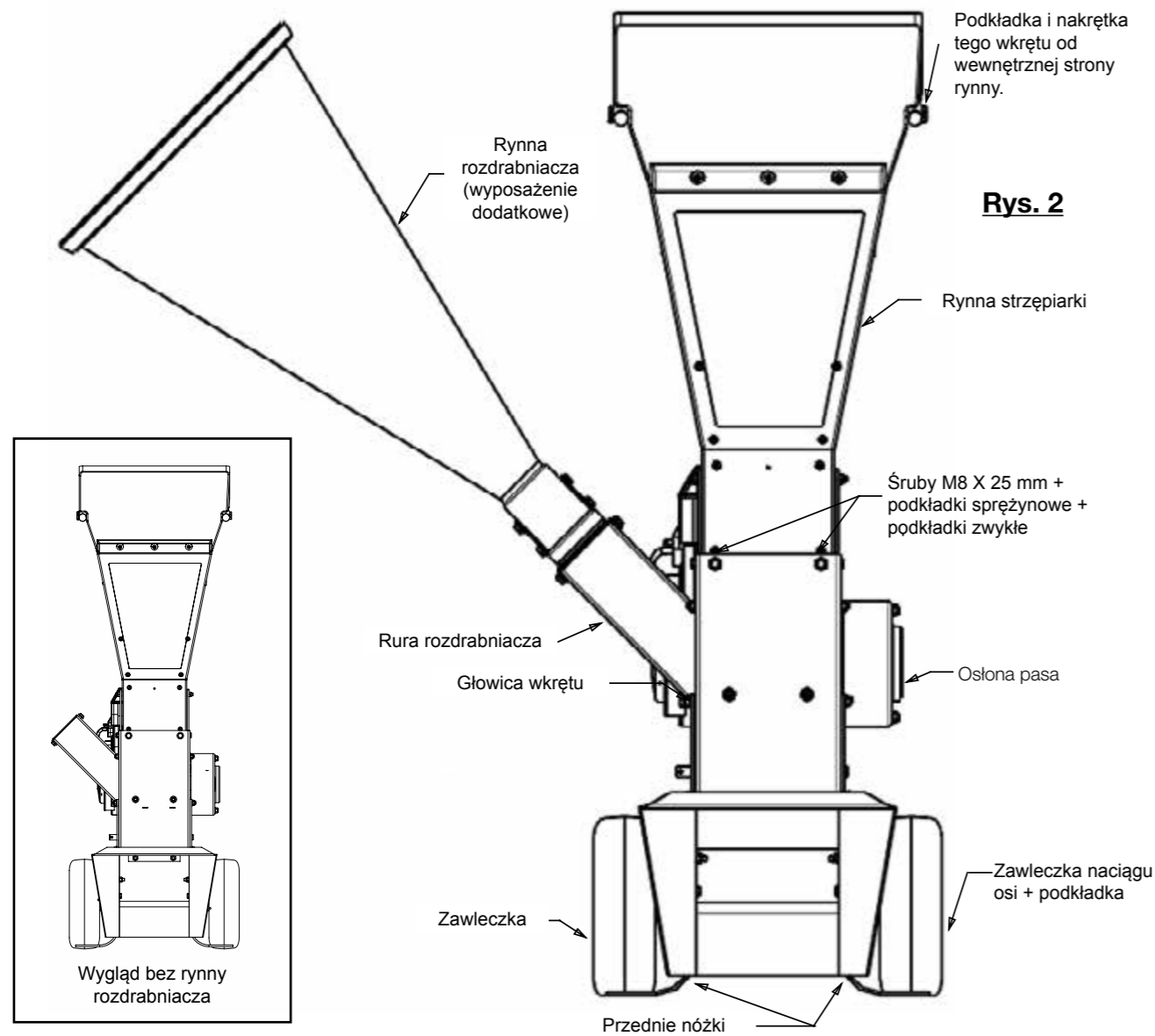


Ostrzeżenie
Urządzenia nie wolno przestawiać, gdy silnik jest w ruchu



Rys. 1

- Przy przesuwaniu po nierównym terenie lub po stoku trzymać rękojeść oburącz mocno po obu stronach (aby zapobiec przewróceniu się maszyny). Czasem może być łatwiej ciągnąć maszynę z tyłu za sobą.
- Po zdjęciu rynniny urządzenie zmieści się w większym samochodzie typu kombi, ale musi być unieruchomione w pozycji stojącej, jeśli w silniku znajduje się olej lub paliwo.



Rys. 2

Przygotowanie

- Przez cały czas pracy z urządzeniem należy nosić okulary ochronne. Zaleca się też stosowanie osłony uszu, szczególnie przy dłuższej pracy.
- Unikać luźnej odzieży i ubrań z paskami lub sznurówkami.
- Przed uruchomieniem maszyny sprawdzić, czy wszystkie śruby, nakrętki, wkręty i inne elementy mocujące są prawidłowo przykręcone. Wymienić uszkodzone lub nieczytelne naklejki ostrzegawcze i operacyjne.

- Ostrzeżenie**

Przy obchodzeniu się z paliwami zachować szczególną ostrożność. Są to materiały łatwopalne, a ich opary wybuchowe.

 - Paliwo należy przechowywać jedynie w zatwierdzonych do tego celu pojemnikach.
 - Nie wolno zdejmować nakrywkę zbiornika lub dolewać paliwa, gdy silnik jest włączony. Przed dolaniem paliwa pozwolić silnikowi ostygnąć. Przy nalewaniu paliwa nie palić.
 - Nie wolno nalewać paliwa wewnątrz pomieszczenia.
 - Urządzenia ani pojemników z paliwem nie wolno przechowywać w pomieszczeniach z otwartym ogniem, np. w pobliżu podgrzewacza wody.
 - Po nalaniu paliwa należy dokładnie dokręcić

- nakrywkę.
- Jeśli paliwo rozleje się, nie próbować zaskartować silnika. Przesunąć urządzenie w miejsce oddalone od rozlewu i dopiero wtedy włączyć silnik.
- Jeśli konieczne jest opróżnienie zbiornika paliwa, należy to wykonać na dworze.

Bezpieczeństwo obsługi

OBSŁUGA

- Przy podawaniu materiału do komory należy zachować szczególną ostrożność, aby fragmenty metalu, kamienie, butelki, puszki czy inne ciała obce nie zostały wrzucone do środka.
- Jeśli noże uderzą w ciało obce lub jeśli urządzenie startuje wydając nietypowe odgłosy lub wibracje, należy je natychmiast wyłączyć i pozwolić mu się zatrzymać. Odłączyć świecę zapłonową i wykonać następujące czynności:
 - Dokonać inspekcji uszkodzeń
 - Wymienić lub naprawić uszkodzone części, zastępując je częściami o równoważnej specyfikacji
 - Sprawdzić, czy żadne części się nie poluzowały i w razie potrzeby usunąć luzy

Nie próbować maszyny naprawiać, jeśli się tego nie potrafi.
- Silnik utrzymywać w czystości, bez osadu i gromadzenia się brudów. Chroni to przed uszkodzeniem i zabezpiecza przed pożarem.

- Wszystkie osłony i deflektory powinny być właściwie przymocowane i pozostawać w dobrym stanie technicznym.
- Przy operowaniu niniejszym urządzeniem unikać wchodzenia w okolicę otworu wylotowego.
- Twarz i ciało trzymać z dala od otworu wlotowego i wylotowego.
- Nie przeceniać swych możliwości. Przy podawaniu materiału do komory nigdy nie stać powyżej podstawy urządzenia. Przez cały czas utrzymywać właściwą równowagę ciała i stać mocno na nogach.
- Nie dopuścić, aby rozdrobniony materiał gromadził się w strefie wylotowej. Może to zablokować wyładunek i spowodować gwałtowne cofnięcie się materiału przez otwór wlotowy podawacza.
- Jeśli rynna podawacza lub rynna wylotowa zablokuje się, przed usunięciem blokady należy odłączyć źródło zasilania i zdjąć kabel zapłonowy ze świecy. Należy pamiętać, że włączenie startera w urządzeniach wyposażonych w silnik powoduje uruchomienie ostrzy tnących.
- Nie wolno zmieniać ustawień regulatora silnika: regulator kontroluje maksymalną bezpieczną szybkość i zabezpiecza silnik i części ruchome maszyny przed uszkodzeniem spowodowanym nadmierną szybkością. Jeśli pojawi się problem, zasięgnąć porady w autoryzowanym punkcie serwisu.

KONSERWACJA I PRZECHOWYWANIE

- Gdy maszyna zostanie wyłączona w celu serwisu, inspekcji, przechowywania lub wymiany części, należy zdjąć kabel zapłonowy ze świecy. Upewnić się, że wszystkie ruchome części kompletnie się zatrzymały. Przed rozpoczęciem inspekcji, regulacji itp. pozwolić maszynie zupełnie ostygnąć. Dokonywać okresowej konserwacji i utrzymywać maszynę w czystości.
- Urządzenie przechowywać w miejscu niedostępnym dla dzieci oraz tam, gdzie opary paliwa nie mogą zetknąć się z otwartym ogniem lub iskrą. Przy dłuższym przechowywaniu należy opróżnić zbiornik paliwa. Przed schowaniem urządzenia pozwolić silnikowi ostygnąć.
- Przy serwisie noży tnących należy pamiętać, że choć maszyna nie włączy się do prądu dzięki urządzeniu ryglującemu osłony, noże mogą zostać wprowadzone w ruch za pomocą startera ręcznego.

Włączanie urządzenia

- Rozdrabniacz/strzępiarkę ustawić na równym podłożu, zapobiegając przewróceniu. Nie należy operować urządzeniem na podłożu twardym, np. na betonie, jako że materiał wyrzucany z rynny wylotowej może odbić się, powodując urazy lub szkody materialne.
- Przed włączeniem silnika sprawdzić, że jego płyta podstawy znajduje się w pozycji mniej więcej poziomej. Jeśli nie – odwołać się do instrukcji dotyczących konserwacji.
- Szczegóły na temat wlewania do silnika oleju i paliwa znaleźć można w instrukcji obsługi silnika.
- Zastosować się do instrukcji włączania ssania (jeśli silnik jest zimny).
- Pociągnąć linkę rozrusznika, aż silnik zastartuje, po czym na około 5 sekund włączyć ssanie.
- Ustawić gaz na pożądaną prędkość obrotów.
- Jeśli silnik jest rozgrzany, nie ma potrzeby włączania ssania.
- Silnika nie należy włączać, gdy w rurze rozdrabniacza lub w rynnie strzępiarki znajduje się materiał. Ten dodatkowy opór może przedwcześnie zużyć pas napędowy oraz uszkodzić szarpankę silnika.

Rozdrabnianie



Ostrzeżenie

Rąk lub palców nie wolno wkładać do rynny rozdrabniacza. Ze względu na bezpieczeństwo innych, włączonego urządzenia nie zostawiać bez nadzoru.

- Gałęzie o średnicy do 65 mm można rozdrabniać za pomocą rury rozdrabniacza z boku maszyny (50 mm bez rury rozdrabniacza z restryktorem). Świeże drewno daje się rozdrabniać znacznie szybciej, niż suche. Nie rozdrabniać drewna, w którym znajdują się gwoździe.
- Jeśli maszyny nie można ustawić na powierzchni, z której zbierane będą wióry, pod urządzeniem można w tym celu podłożyć plastik lub brezent.



Ważne!

Urządzenia nie przesuwają, gdy silnik jest w ruchu. Przechył przy przesuwaniu mógłby odciąć dopływ oleju do silnika, powodując zatarcie.

- Jeśli silnik mocno zwalnia w trakcie wiórowania, zmniejszyć tempo podawania gałęzi do maszyny. Dzięki temu wióry będą mniejsze; przedłużyć to też czas eksploatacji napędu. Dodatkowo można sprawdzić, czy ostrza się nie stępiły.



Uwaga!

NIE WOLNO wrzucać gałęzi o średnicy większej niż 15 mm do rynny strzępiarki. Trzeba je wepchnąć do rury rozdrabniacza przy pomocy innego kawałka drewna.

- Obracanie gałęzi w trakcie wiórowania zmniejsza ryzyko okręcania się kory wokół wałka, co może być przyczyną blokady.
- Gałęzie z licznymi mniejszymi odgałęzieniami należy wkładać do rynny rozdrabniacza dopóki pozostanie garstek liści i drobnych gałązek. Tę resztkę można wrzucić do rynny strzępiarki.
- Jeśli rozdrabniacz się zablokuje, silnik należy natychmiast zatrzymać (jeśli sam nie zgaś). Zdjąć kabel zapłonowy ze świecy i odsunąć go z dala od świecy. Przed ponownym włączeniem urządzenia usunąć materiał, który spowodował blokadę. W tym celu może być konieczne otwarcie sita strzępiarki, obrócenie zestawu strzępiarki do tyłu i wydłubanie materiału z rury.



Uwaga!

NIE WOLNO kontynuować rozdrabniania, jeśli pas napędu ześlizguje się lub wydziela dym. Informacje na temat naciągania pasa znajdują się w części dotyczącej konserwacji.



Ostrzeżenie

Urządzeniem nie wolno operować, gdy pokrywa rewizyjna jest otwarta lub nieobecna. Grozi to poważnymi obrażeniami ciała.

Strzępienie



Ostrzeżenie

- Do rynny strzępiarki nie wolno wpychać materiału rękami. Należy zastosować młodą, świeżo ściętą gałąź lub kawałek miękkiego drewna.
- Nosić osłonę oczu.

1. Do strzępienia nadają się różne typy materiałów organicznych, a także liście i gałązki. Pnącza przed włożeniem do strzępiarki należy pociąć na krótkie kawałki (około 300 mm), w przeciwnym wypadku mogą okręcić się wokół wałka. Grozi to zablokowaniem urządzenia, a operator może odnieść poważne obrażenia.

Ważne!
Nie próbować rozdrabniać szkła, metalu, plastikowych butelek ani kamieni.

2. Przy wkładaniu do strzępiarki drobnych gałązek zaleca się noszenie rękawic. Gałązki należy trzymać lekko i wypuścić z ręki, zanim zetkną się z obrotowymi nożami.

Ważne!
Przy wkładaniu gałęzi do strzępiarki należy uważać na nagłe szarpnięcia.

3. Gałęzie o średnicy większej niż 15 mm będą przez jakiś czas obijać się wewnątrz maszyny i mogą uszkodzić sito strzępiarki. Takie gałęzie należy wkładać do rury rozdrabniacza.
4. Liście dają się strzępić bardzo łatwo, szczególnie gdy nie mają długich ogonków i gdy ładowane są luźno do rynny strzępiarki. Jeśli maszyna się zablokuje, nie wolno ich wpychać na siłę do środka. Należy wyłączyć silnik i usunąć blokadę.
5. Pilnować tego, co dzieje się pod maszyną. Emitowany z urządzenia przerobiony materiał nie może nadbudować się do tego stopnia, aby dalszy materiał nie mógł się wydostać. Może to uniemożliwić prawidłowy wyładunek i spowodować gwałtowne cofnięcie się materiału przez otwór wlotowy. W miarę narastania pod spodem przerobionego materiału należy przesunąć urządzenie nieco dalej na nowe miejsce.

Ostrzeżenie
Nie wolno wkładać rąk lub nóg pod maszynę, gdy jest ona w ruchu.

6. Kontrolować tempo wkładania materiału do rynny strzępiarki tak, aby nie przeciążać silnika. W szczególności unikać nagłych zmian w szybkości obrotów silnika, spowodowanych nagłym dużym wsadem.
7. Jeśli sito strzępiarki zablokuje się, zatrzymać silnik i zdjąć zacisk R z kołka, który wystaje spod osłony pasa w pobliżu przedniej lewej nóżki. Za pomocą uchwytu T pod rurą rozdrabniacza wyciągnąć kolek z sita strzępiarki. Zwykle powoduje to opadnięcie sita do dołu. Jeśli sito jest zablokowane, można je delikatnie otworzyć za pomocą pręta lub dużego śrubokręta.

Ostrzeżenie
Zestaw strzępiarki nie przekręcać przed zdjęciem kabla świecy zapłonowej ze świecy, odsuwając go z dala od świecy.

8. Po usunięciu blokady należy wcisnąć sito na miejsce i założyć kolek. Pamiętać, że uchwyt T musi być w położeniu poziomym, aby kolek mógł w pełni przesunąć się przez sito. Z powrotem założyć zacisk R.
9. Jeśli sito ciągle się blokuje mokrymi liśćmi czy podobnym materiałem, należy spróbować domieszać trochę suchego materiału, aby oczyścić sito. Można też wykorzystać opcjonalny, nabywany dodatkowo ruszt płaski. Patrz poniżej.
10. Po przeróbce materiału „włóknistego”, np. liści palmowych, należy zdjąć rynnę strzępiarki i sprawdzić, czy włókna nie

okręciły się ciasno wokół końców rotora, wewnątrz komory. Jeśli tak, należy je delikatnie wydłubać przy pomocy płaskiego śrubokręta. Niektóre typy liści palmowych dają się pociąć w rynnie rozdrabniacza.

Ważne!
Jeśli owinięty wokół wałka materiał nie zostanie usunięty, wałek może się przegrzać, co spowoduje „wygotowanie się” oleju z łożyska wałka. W takiej sytuacji łożysko zostanie uszkodzone.

11. **RUSZT PŁASKI - CZĘŚĆ OPCJONALNA (929304).** płaski można nabyć jako element dodatkowy do przerabiania materiału miękkiego, objętościowego lub wilgotnego, takiego jak chwasty lub odpadki warzywne. Aby przymocować ruszt płaski, należy maszynę wyłączyć, po czym zdjąć kabel świecy zapłonowej oraz osłonę pasa klinowego. Zdjąć oba zaciski R, które przytrzymują pręty sita strzępiarki, a następnie wyjąć pręty i sito. Wstawić ruszt płaski od spodu i włożyć pręty przez ruszt. Założyć z powrotem zaciski R, osłonę pasa i kabel świecy.

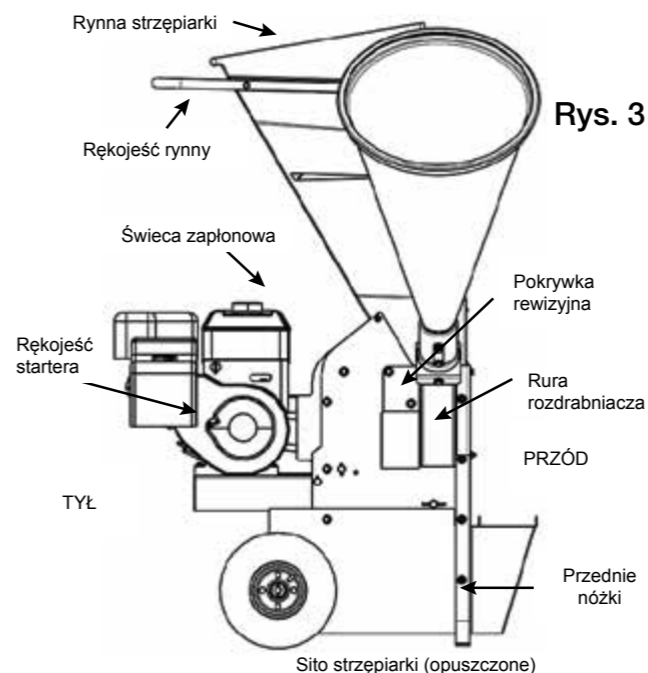
Podstawowa konserwacja

POTRZEBNE NARZĘDZIA

- a) Dwa klucze płasko-oczkowe 13 mm.
 - b) Klucz sześciokątny 5 mm.
 - c) Klucz nastawny 10”.
1. Po każdych 5-10 godzinach pracy sprawdzić poziom oleju i w razie potrzeby uzupełnić. Olej zmieniać zgodnie z zasadami podanymi w instrukcji obsługi silnika.
 2. Regularnie sprawdzać stan filtra powietrza silnika, szczególnie w pylistych warunkach.
 3. Pas napędowy może na początku nieco się poluzować, ale następnie powinien być stabilny przez dłuższy okres czasu, o ile maszyna nie jest przeciążona lub pas się nie ześlizguje. Jeśli silnik nie jest ustawiony w pozycji mniej więcej poziomej (tzn. jeśli odchyła się od rynny ku tyłowi), nacisk sprężyny na pas może być za mały, co powoduje, że może się on ześlizgiwać. Aby ustawić silnik w pozycji poziomej: Zdjąć osłonę pasa; poluzować 4 wkręty mocujące silnik za pomocą dwóch kluczy nastawnych 13 mm; unieść płytę podstawy silnika tak, aby silnik przechylił się nieco do przodu, popchnąć silnik do tyłu wzdłuż rowków mocujących i przykręcić dwa tylne wkręty mocujące silnik. Sprawdzić, że silnik jest w pozycji poziomej, po czym przykręcić pozostałe wkręty i założyć osłonę pasa.

Uwaga!
Pas napędu wymienić, gdy silnik dotrze do końca dziurek na rowkach, a pas się ześlizguje.

4. Jeśli silnik dostaje silnych wibracji sprawdzić, czy nie należy dokręcić wkręty osiowe 10 mm, umiejscowione pod płytą podstawy silnika. Nie należy ich dokręcać bardzo ciasno, a po dokręceniu sprawdzić ręcznie, że silnik wciąży się obraca. Jeśli się nie obraca, pas będzie się ześlizgiwał, jako że ciężar silnika go napręża. Wyjęcie wkrętów osiowych raz do roku i ich nasmarowanie przedłuża okres eksploatacji tulejek wkrętów. Po ich kilkukrotnym wyjęciu mogą być potrzebne nowe nakrętki Nyloc.



Zdejmowanie noża rozdrabniacza

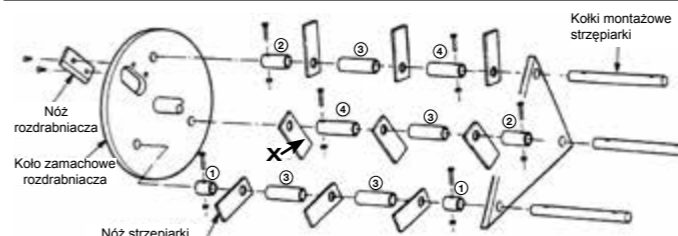
1. Zdjąć kabel świecy zapłonowej ze świecy, odsuwając go z dala od świecy.
2. Zdjąć rynnę strzępiarki.
3. Poluzować górną wkręt na pokrywie rewizyjnej i wyjąć dolny wkręt.
4. Obrócić pokrywę, odsłaniając okienko pod płytką.
5. Obracać rotor rozdrabniacza/strzępiarki, aż nóż rozdrabniacza znajdzie się w okienku rewizyjnym.
6. Ostрым przedmiotem, np. gwoździem, wydłubać brud z otworów na klucz sześciokątny w dwóch wkrętach z łbem stożkowym noża rozdrabniacza.
7. Wyjąć wkręty i nóż rozdrabniacza przy pomocy klucza sześciokątnego i klucza 13 mm. [UWAŻAĆ NA OSTRE KRAWĘDZIE NOŻA ROZDRABNIACZA.]
8. Naostriżyć ostrze z uzyskaniem kąta 45°. Zeszlirować taką samą ilość z każdego ostrza, aby zachować wyważenie. Minimalne rozmiary ostrza to:



W żadnym wypadku nie wolno używać noży wyszczerbionych.

9. Przy wymianie ostrza rozdrabniacza stosować nowe nakrętki Nyloc. Wymienić też wkręty na nowe, jeśli wyglądają na uszkodzone. Przed przykręceniem noża sprawdzić, że leży on płasko na kole zamachowym rozdrabniacza.

Zdejmowanie noża strzępiarki



Modele z dwoma nożami rozdrabniacza. Sprawdzić położenie rowków noża w stosunku do kołków montażowych strzępiarki, pozwalające na obracanie się ostrza X na swym trzonku bez uderzania o nakrętki śrub ostrza rozdrabniacza.

POTRZEBNE NARZĘDZIA

- a) Klucz sześciokątny 4 mm.
- b) Klucz 8 mm.
- c) Pręt o średnicy ¼ cala lub śrubokręt krzyżakowy z trzonkiem o średnicy 6 mm lub mniejszej.
- d) Ściągacz do łożysk.
- e) Dwa klucze płasko-oczkowe 18 mm.
- f) Klucz sześciokątny 1/8”.

Ważne!
Po każdych 20 godzinach pracy i po uderzeniu w przedmiot obcy dokonać przeglądu zestawu rotora, szukając poluzowanych wkrętów i uszkodzonych, zużytych lub pogiętych części. Zużyte i uszkodzone części należy wymienić.

1. Ostrza strzępiarki można obrócić o 180°, co udostępnia świeże ostrze noża.
2. Aby ostrza wyjąć, należy zdjąć rynnę strzępiarki i otworzyć pokrywę rewizyjną w pobliżu rury rozdrabniacza.
3. Zdjąć kabel ze świecy zapłonowej.
4. Zdjąć osłonę pasa.
5. Ustawić jeden z kołków montażowych strzępiarki w okienku pod pokrywą rewizyjną.
6. Wyjąć małe wkręty przez wałek strzępiarki.
7. Włożyć pręt lub śrubokręt krzyżakowy do małej dziurki w płycie z lewej strony nad kołem pasowym i wypchnąć wałek strzępiarki na zewnątrz przez okienko rewizyjne.
8. Sprawdzić stan wałka strzępiarki. Jeśli jest mocno porysowany (tzn. rowki głębsze, niż 1 mm), należy go wymienić. W podobny sposób należy wymienić zużyte przekładki (wymagane długości podane są poniżej.)

PRZEKŁADKA		DŁUGOŚĆ CZĘŚĆ	
Nr.	(mm)	Nr.	Nr.
1	18	536043	2
2	36	536042	2
3	51	536045	4
4	51	536044	2

9. Czynność powtórzyć z pozostałymi dwoma wałkami strzępiarki.
10. Przy wymianie wałków i ostrzy zakładać na wkrętach wałków nowe nakrętki Nyloc oraz nowe wkręty, jeśli zostały one zużyte lub uszkodzone. Wyszczerbionych lub mocno zużytych ostrzy nie używać ponownie.
11. Ostrza muszą być zainstalowane w sposób pokazany na rysunku. Szczególnie ważne jest, aby ostrze X, dla którego nie ma przekładki oddzielającej go od koła zamachowego rozdrabniacza, umieszczone zostało na wałku w sposób pozwalający mu na obracanie się na osi bez zaczepiania o nakrętki, które przytrzymują ostrze rozdrabniacza we właściwej pozycji.

Wyjmowanie silnika

Odłączyć silnik od maszyny, zdejmując osłonę pasa, pas napędowy, sprężynę naciągową pasa oraz dwa wkręty osiowe silnika.

Wymowanie rotora

- Wyjąć koło pasowe z zestawu rotora w następujący sposób – najpierw zdjąć zabezpieczający pierścień sprężynujący, następnie poluzować śrubę piasty, po czym wyjąć koło pasowe za pomocą ściągacza. Wymowanie można ułatwić, wstrzykując penetrin przez otwór śruby piasty.
- Zdjąć rynną strzępiarki.
- Z końcówki wałka rotora, która przylega do rury rozdrabniacza, wykręcić śrubę 13 mm.
- Zdjąć cztery nakrętki ze śrub nośnych.
- Za pomocą klucza sześciokątnego 3 mm poluzować wszystkie cztery śruby piasty łożyska.
- Mosiężnym (lub podobnym) wybijakiem częściowo wbić wałek strzępiarki w łożysko ze strony z rurą rozdrabniacza.
- Przy pomocy ściągacza wyjąć łożysko ze strony z kołem pasowym.
- Wyjąć ostrza rozdrabniacza lub unieruchomić je z dala od rury rozdrabniacza.
- Ostukać wałek rotora od strony koła pasowego za pomocą miękkiego młotka. Uważać, aby nie uszkodzić ostrzy rozdrabniacza.
- Przy pomocy ściągacza wyjąć łożysko po stronie z rurą rozdrabniacza.
- Po zdjęciu z urządzenia jednej z płytek bocznych, zestaw rotora daje się teraz wyjąć.



Uwaga!

Przy ponownym montażu zakleić śrubę piasty koła pasowego uszczelniaczem Loctite 262 (lub podobnym) i założyć dobrej jakości zabezpieczający pierścień sprężynujący.

Zdejmowanie pasa klinowego

- Zdjąć osłonę pasa.
- Zdjąć kabel zapłonowy ze świecy.
- Poluzować cztery wkręty mocujące silnik i przesunąć silnik do przodu.
- Podnieść silnik i zdjąć pas.
- Po założeniu nowego pasa poprawić położenie silnika tak, aby przy naciągniętym pasie znajdował się on w pozycji poziomej.
- Założyć osłonę pasa.

Wykrywanie i usuwanie usterek

PROBLEM	POSSIBLE CAUSE(S)	CORRECTIVE ACTION
Silnik nie startuje	Pusty zbiornik paliwa Zablokowany filtr zbiornika paliwa Odłączony kabel zapłonowy świecy Świeca zapłonowa nie działa Świeca zapłonowa nie działa	Zbiornik napełnić właściwym paliwem Wyczyścić zbiornik paliwa Podłączyć kabel do świecy Wyczyścić świecę Wymienić świecę
Utrata mocy, praca przerywana	Poluzowany kabel świecy zapłonowej SSANIE wciąż włączone Zablokowany przewód paliwowy Zbiornik paliwa prawie pusty Gaźnik wymaga ustawienia Brudny/zatkany filtr powietrza Brudny zbiornik paliwa	Docisnąć podłączenie świecy Przesunąć dźwignię SSANIA do pozycji NORMALNEJ Przeczyścić przewody paliwowe Uzupełnić zbiornik paliwa Zasięgnąć porady u lokalnego dystrybutora Wyczyścić lub wymienić filtry powietrza Wyczyścić zbiornik paliwa
Silnik przegrzewa się	Niski poziom oleju w silniku Bруд naokoło silnika	Wlać olej właściwego gatunku Urządzenie wyłączyć i wyczyścić naokoło silnika
Urządzenie dostaje wibracji	Poluzowana płyta podstawy silnika Uszkodzone ostrze rozdrabniacza Bруд zakleszczony w ostrzach cepów Nierówne podłoże	Przymocować płytę podstawy, patrz Podręcznik Użytkownika Dokonać przeglądu ostrzy i w razie potrzeby wymienić Dokonać przeglądu cepów i usunąć nagromadzony brud Przestawić maszynę na równe podłoże
Maszyna nie wyrzuca przerobionego materiału	Zablokowane sito wylotowe	Zdjąć kabel zapłonowy ze świecy, po czym wyjąć i wyczyścić sito Dodać suchego materiału lub mieszanki innych składników Zredukować ilość wkładanego do rynny materiału
Urządzenie nie wykazuje spodziewanej wydajności	Przerobienie materiału wymaga dłuższego czasu	Sprawdzić, czy ostrza cepów nie zostały uszkodzone Sprawdzić ostrza strzępiarki i wymienić/odwrócić o 180o Wymienić lub naostrzyć ostrza rozdrabniacza Sprawdzić, czy pas jest właściwie naciągnięty

Dane techniczne

Model:	Rozdrabniacz/strzępiarka GRN 6.0 IC	Model:	Rozdrabniacz/strzępiarka EU GRN 6.0 IC
Typ silnika:	B&S HRZ, 205 cm ³	Typ silnika:	B&S HRZ, 205 cm ³
Moc silnika:	4,03 kW	Moc silnika:	4,03 kW
Szybkość znamionowa bez obciążenia:	3600/min	Szybkość znamionowa bez obciążenia:	3600/min
Pojemność zbiornika na benzynę:	3800 ml	Pojemność zbiornika na benzynę:	3800 ml
Pojemność zbiornika na olej:	900 ml	Pojemność zbiornika na olej:	900 ml
Numer części ostrza tnącego:	536027 (ostrze rozdrabniacza) i 536030 (ostrze strzępiarki)	Numer części ostrza tnącego:	536027 (ostrze rozdrabniacza) i 536030 (ostrze strzępiarki)
Waga:	73 kg	Waga:	73 kg
Poziom ciśnienia akustycznego LPA na wysokości operatora:	92,3 dB(A) k=3 dB(A)	Poziom ciśnienia akustycznego LPA na wysokości operatora:	92 dB(A) k=3 dB(A)
Mierzony poziom mocy akustycznej LWA:	112,0 dB(A) k=3 dB(A)	Mierzony poziom mocy akustycznej LWA:	103,8 dB(A) k=3 dB(A)
Gwarantowany poziom mocy akustycznej LWA (2000/14/EC):	112,0 dB(A)	Gwarantowany poziom mocy akustycznej LWA (2000/14/EC):	112,0 dB(A)



No utilice este equipo antes de su montaje correcto y si no ha leído y comprendido las instrucciones.



No permita que los niños utilicen este equipo.



Estas instrucciones son una guía general y no reemplazan en modo alguno los códigos nacionales o locales. Contacte con las autoridades municipales si desea aclaraciones sobre las leyes relativas al uso de este equipo.

Guarde las instrucciones en un sitio seguro para uso en el futuro

Índice

Símbolos utilizados en este Manual del Propietario	73
Símbolos utilizados en el equipo	73
Importante información sobre seguridad:	74
Montaje	74
Instrucciones de uso	75
Arranque	77
Cómo picar	77
Cómo triturar	77
Mantenimiento básico	78
Cómo quitar la cuchilla de la picadora	79
Cómo quitar la cuchilla de la trituradora	79
Cómo quitar el motor	80
Cómo quitar el rotor	80
Cómo quitar la correa	80
Resolución de problemas	81
Información Técnica	81

Símbolos utilizados en este Manual del Propietario



Amenaza de peligro o situación peligrosa. Respete esta instrucción para evitar lesiones o daños a la propiedad.



Importante información sobre el manejo correcto. Respete esta instrucción para evitar fallas del equipo.



Información para el usuario. Esta información le ayudará a usar todas las funciones correctamente.

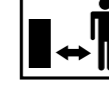
Símbolos utilizados en el equipo



Lea y comprenda este Manual del Propietario antes de utilizar el equipo.



Mantenga a los espectadores alejados. Peligro de objetos despedidos.



Mantenga las manos y los pies alejados.



Quite la bujía.



Siempre use protección para los oídos cuando esté usando el equipo



Siempre use protección para los ojos cuando esté usando el equipo



Siempre use guantes de seguridad cuando esté usando el equipo



¡Atención! Mantenga las manos y los pies alejados de las cuchillas en rotación.



¡Atención! Mantenga los pies alejados de las cuchillas en rotación.

Importante información sobre la seguridad:

Lea y comprenda cabalmente este Manual antes del montaje y uso del equipo.

- El uso incorrecto de este producto podría anular la validez de la Garantía del Fabricante.
- El operador debe comprender todos los requisitos de seguridad detallados en este Manual antes de usar el equipo.
- El operador es responsable por la seguridad de todo tercero mientras el equipo está en uso.
- El consumo o uso de alcohol, drogas de venta bajo receta u otras drogas puede afectar la capacidad del usuario de montar o utilizar esta picadora trituradora en condiciones de seguridad.
- Si tiene alguna pregunta con respecto a estas instrucciones póngase en contacto con el representante de su localidad para pedir una aclaración antes de usar el equipo.
- El equipo debe estar correctamente montado antes del uso. Siga las instrucciones de este Manual; el no hacerlo podría llevar a graves daños o lesiones.
- Antes de usar el equipo, compruebe que esté ubicado sobre una superficie nivelada y firme y en un espacio abierto (p.ej. no cerca de una pared o de otros objetos fijos).
- Compruebe que todas las mangueras de combustible estén en buen estado y colocadas correctamente.
- Realice una inspección de seguridad de la picadora trituradora antes de cada uso.
- El monóxido de carbono puede ser sumamente peligroso en los locales cerrados; no use el equipo en un local cerrado, ya que los gases del escape del motor contienen monóxido de carbono, que es incoloro, inodoro e insípido.
- No ponga las manos u otras partes del cuerpo o prendas de vestir dentro del túnel de carga, en la zona de descarga o cerca de las piezas móviles.
- Antes de inspeccionar o hacer el servicio de las piezas del equipo, apague la fuente de alimentación. Compruebe que todas las piezas móviles del equipo se hayan detenido completamente. Desconecte el cable de la bujía.
- Use el combustible correcto para este equipo; pregunte al representante cuál es el combustible específico para esta unidad.
- No deje la picadora trituradora desatendida cuando esté en funcionamiento.
- Mantenga los espectadores alejados de la picadora trituradora cuando ésta esté en funcionamiento.
- Mantenga a los niños y animales bien alejados mientras el equipo esté en uso y mientras esté desacelerando la velocidad de funcionamiento.
- Nunca intente mover e inclinar el equipo cuando esté en funcionamiento o antes de que haya tenido tiempo suficiente para detenerse completamente.
- Ciertas partes del motor se calientan mucho y pueden causar quemaduras graves.
- La persona que esté usando este equipo deberá prestar atención constante al material que vaya procesando.
- La persona deberá permanecer junto al equipo en todo momento cuando éste esté en funcionamiento.
- Compruebe que el motor esté apagado (OFF) en el acelerador después del uso y mientras el equipo esté desatendido.
- El Fabricante o sus Agentes no aceptan responsabilidad alguna por el material procesado y que cause molestias o lesiones personales.

Montaje

1. Las dos cajas deberán contener los artículos siguientes:-

Caja 1

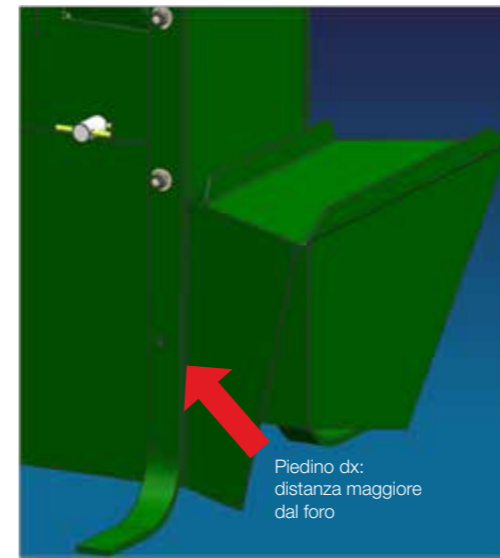
- Motor – Conjunto del chasis
- Dos patas en L
- Dos Ruedas
- Una bolsa de plástico que contiene:
 - un Manual del Propietario
 - una Tarjeta de garantía
 - un librito del motor
 - Un tornillo M8 x 20mm
 - Cuatro arandelas de 16mm para el eje
 - Una arandela de 8mm x 19mm
 - Una tuerca nyloc de 8mm
 - Dos chavetas

Caja 2

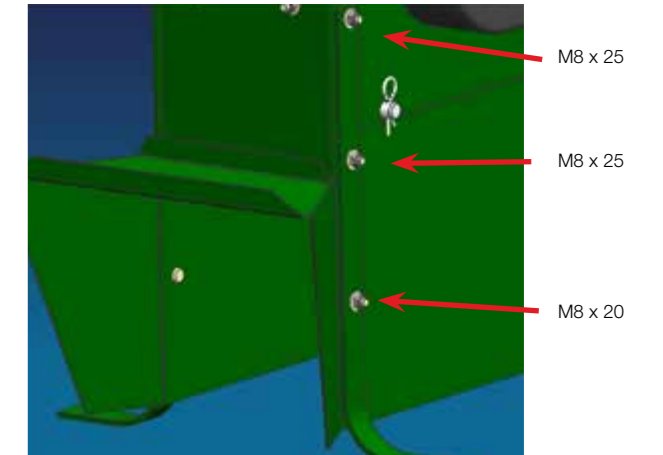
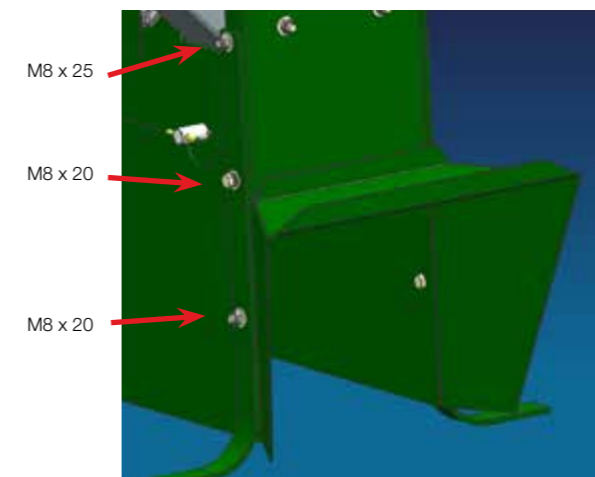
- Un túnel para trituradora con solapa de goma y placa de metal
- Una manija de túnel
- Un túnel para picadora con abrazadera
- Cuatro bulones de 35mm para la manija del túnel
- Dos arandelas de presión de 8mm
- Ocho arandelas de 8mm x 19mm
- Dos tornillos M8 x 25mm
- Seis tuercas nyloc de 8mm
- Dos retenes de túnel

Montaje

1. Retire el equipo del soporte para transporte. Retire el eje de las ruedas.
2. Compruebe que no haya aceite o combustible en el motor y vuelque el chasis hacia el costado izquierdo con cuidado.
3. Ajuste la pata derecha en su sitio; note que hay una pata derecha y una pata izquierda pues los agujeros no están centrados.



4. Coloque una rueda en el eje con una arandela a cada lado de la rueda. Coloque el eje y la rueda en el chasis. Vuelque el equipo hacia el lado derecho con cuidado y coloque la otra pata y rueda como se indica para el costado izquierdo. Coloque la clavija del eje.
5. Con cuidado levante el equipo de modo que quede apoyado sobre sus ruedas y patas.
6. Levante el motor y retire el material de embalaje que se encuentra debajo de la placa de montaje del motor.
7. Sujete la manija al túnel de la trituradora.
8. Sujete el túnel de la trituradora al chasis: use dos tornillos de 8mm x 20mm y dos retenes de túnel, con arandelas comunes y arandelas de presión en los tornillos delanteros y con dos tuercas nyloc en el exterior del túnel, a los costados. Vea la Fig. 2.
9. Sujete el Túnel de la picadora al Tubo de la trituradora y ajuste la abrazadera (vea la Fig. 2).
10. Agregue aceite y combustible al motor (vea el librito del motor)



Instrucciones de uso

1. Para mover el equipo, coloque un pie detrás de una rueda e incline el equipo hacia atrás hasta que pase el punto de equilibrio.



Advertencia

No mueva jamás el equipo cuando el motor esté en funcionamiento.

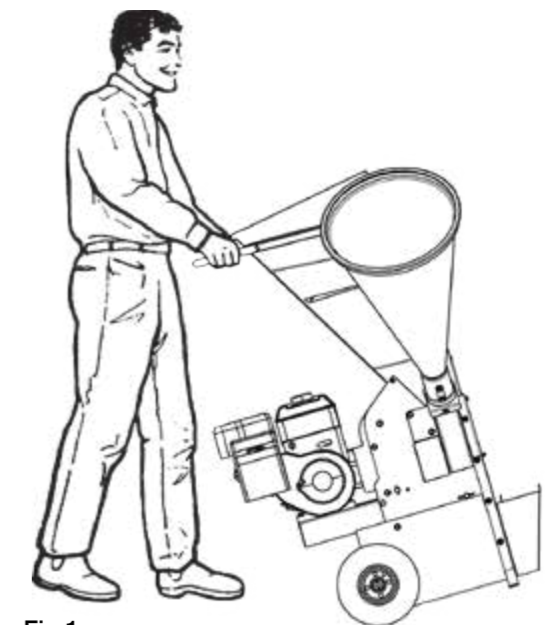
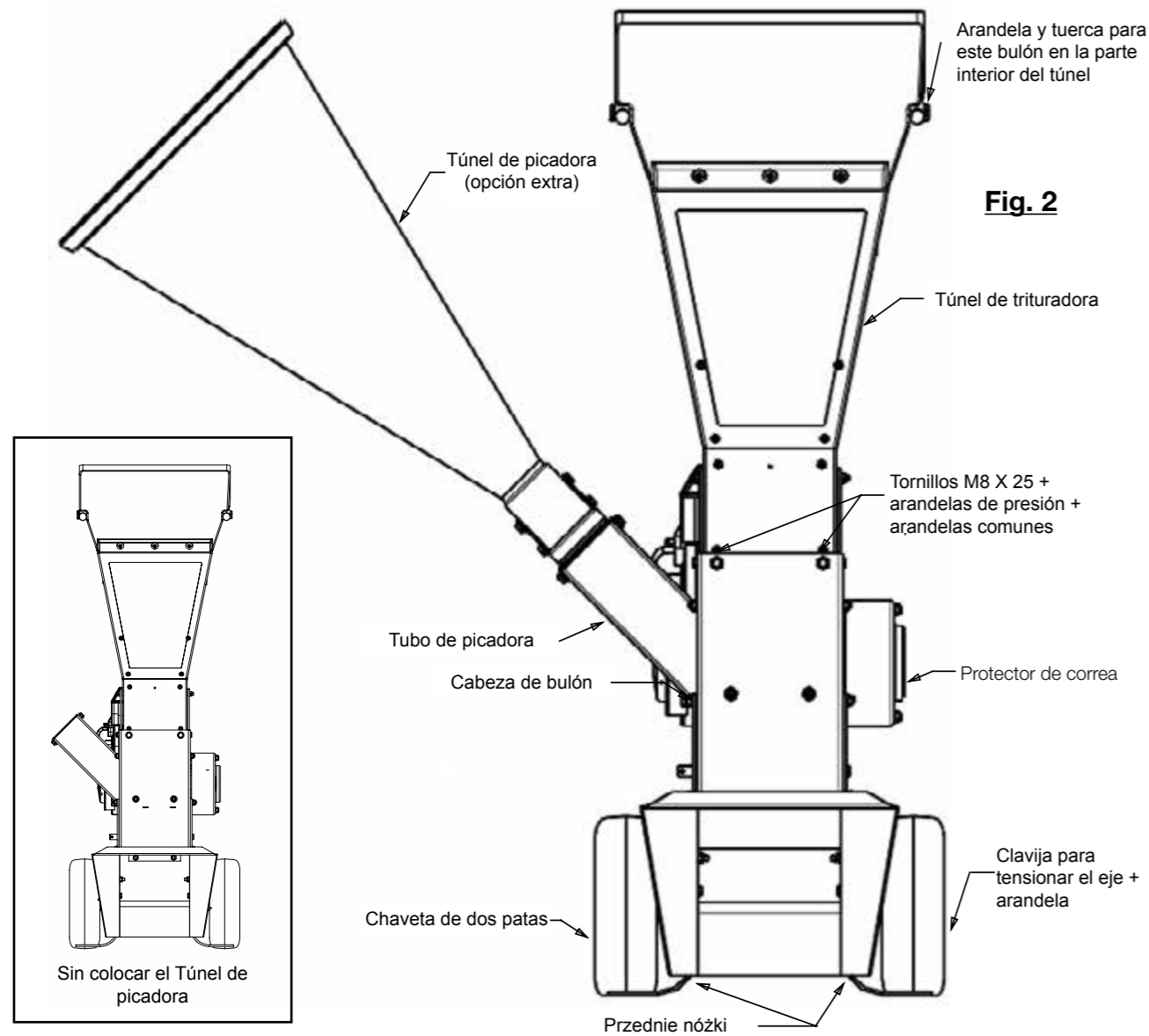


Fig 1

2. Cuando se desplace por terreno rugoso o por una zona en pendiente, sostenga la manija firmemente a ambos lados con las dos manos (para evitar que el equipo se vuelque). En algunos casos puede resultar más fácil avanzar tirando del equipo detrás de usted.
3. Si se quitan los túneles el equipo puede caber en algunas camionetas grandes, pero deberá ir sujetado en posición vertical si el motor contiene aceite y combustible.



Preparación

- Use gafas de seguridad en todo momento cuando el equipo esté en funcionamiento. También recomendamos el uso de protección para los oídos, especialmente para uso prolongado.
- Evite usar ropa suelta o que tenga cintas, cuerdas o cordones.
- Antes de arrancar el motor, compruebe que todos los tornillos, tuercas, bulones y otros sujetadores estén bien ajustados. Reemplace las calcomanías de advertencia y uso cuando estén dañadas o ilegibles.

- Advertencia**
Sea extra prudente cuando maneje combustible. El combustible es inflamable y sus vapores son explosivos.

- Use únicamente un envase autorizado para combustible.
- Nunca retire la tapa del combustible o añada combustible cuando el motor esté en funcionamiento. Espere que el motor se enfríe antes de volver a cargar combustible. No fume mientras esté cargando combustible.
- Nunca cargue combustible en un local cerrado.
- Nunca guarde el equipo o el envase de combustible en un local cerrado donde haya una llama encendida, como por ejemplo un calefón para

- calentar agua.
- Siempre vuelva a colocar y ajustar bien la tapa del tanque de combustible después de llenar el tanque.
- Si se derramara combustible, no arranque el motor: antes de arrancar el motor aleje el equipo del sitio donde se haya derramado el combustible.
- Si debe drenar el tanque de combustible, hágalo al aire libre.

Funcionamiento seguro

FUNCIONAMIENTO

- Cuando coloque material para triturar en el equipo, compruebe detenidamente que dicho material no contenga trozos de metal, piedras, botellas, latas u otros objetos.
- Si el mecanismo de corte golpeará algún objeto o si el equipo comenzara a vibrar o hacer ruidos anormales, apague el motor de inmediato y deje que el equipo se detenga. Desconecte la bujía y siga los pasos siguientes:
 - Inspeccione el equipo en busca de daños
 - Reemplace o repare las piezas dañadas usando otras con especificaciones equivalentes
 - Compruebe si hay piezas sueltas y ajústelas
 No intente reparar el equipo a menos de tener las competencias necesarias para ello.
- Mantenga el motor libre de residuos y otras acumulaciones para evitar daños al motor o la posibilidad de incendio.

- Mantenga todos los protectores y deflectores instalados y en buen estado.
- Manténgase siempre alejado de la zona de descarga cuando el equipo esté en funcionamiento.
- Mantenga el rostro y cuerpo alejados de las aberturas de carga y descarga.
- No trate de llegar demasiado lejos. Nunca se mantenga de pie a un nivel más elevado que la base de la máquina cuando esté alimentándola. Manténgase en equilibrio y con los pies bien apoyados en todo momento.
- No permita la acumulación de material procesado en la zona de descarga; ello podría impedir la descarga adecuada y podría llevar a la expulsión de material hacia atrás por la abertura de alimentación.
- Si el equipo se atascara con material en la abertura de carga o en el túnel de descarga, desconecte la fuente de energía y el cable de la bujía antes de retirar los residuos de material atascados en la abertura de carga o en el túnel de descarga. Recuerde que el mecanismo de arranque de los equipos a motor todavía puede poner las cuchillas en movimiento.
- No cambie los ajustes del regulador del motor: el regulador controla la velocidad máxima de funcionamiento seguro y protege el motor y todas las piezas móviles contra el daño causado por el exceso de velocidad. Consulte un servicio autorizado si se presentara un problema.

MANTENIMIENTO Y ALMACENAMIENTO

- Cuando este equipo esté parado para fines de servicio, inspección o almacenamiento, o para cambiar un accesorio, compruebe que el cable de la bujía esté desconectado de la bujía. Compruebe que todas las piezas móviles del equipo se hayan detenido completamente. Espere hasta que el equipo se haya enfriado antes de realizar inspecciones, ajustes, etc. Cuide del equipo y manténgalo limpio.
- Guarde el equipo fuera del alcance de los niños y en un sitio donde los vapores del combustible no puedan llegar a una llama encendida o chispa. Para almacenamiento prolongado, haga funcionar el equipo hasta que se agote el combustible. Siempre espere a que el equipo se haya enfriado antes de guardarlo.
- Cuando haga un servicio de las cuchillas de corte, recuerde que aunque la fuente de energía no arranque debido a la traba del protector, sigue siendo posible mover las cuchillas mediante un mecanismo de arranque manual.

Arranque

- Compruebe que la Picadora Trituradora se encuentre sobre terreno nivelado y estable de modo que no se pueda volcar. No use el equipo sobre una superficie dura como por ejemplo hormigón, pues el material descargado podría rebotar y causar daños o lesiones.
- Antes de arrancar el motor, compruebe que la placa de montaje del motor esté relativamente horizontal. Si no fuera así, vea las instrucciones de mantenimiento.
- Consulte el librito del motor por información sobre cómo agregar aceite y combustible al motor.
- Siga las instrucciones para cebar el motor (si estuviera frío).
- Tire de la sogá de arranque hasta que el motor arranque y abra el cebador después de unos 5 segundos.
- Ajuste el acelerador hasta llegar a la velocidad de funcionamiento deseada.
- Una vez que el motor esté caliente no es necesario usar el cebador para arrancarlo nuevamente.
- No vuelva a arrancar el equipo si hubiera material en el tubo de la picadora o el túnel de la trituradora. El arrastre adicional podría causar un fuerte desgaste de la correa o dañar el

arrancador del motor.

Cómo picar



Advertencia

Nunca ponga las manos o los dedos en el túnel de la picadora. Para proteger a otras personas no deje el equipo desatendido si estuviera en funcionamiento.

- Se pueden picar ramas de hasta 65mm de diámetro usando el tubo de la trituradora al costado de la unidad (50mm sin el tubo de la picadora con la placa de restricción). La madera verde se pica mucho más rápido que la madera seca. No pique madera que contenga clavos.
- Si no es posible ubicar el equipo sobre la superficie en la que se van a repartir las astillas, coloque una película de plástico o de tela debajo del equipo para recoger las astillas picadas.



¡Importante!

No mueva el equipo cuando el motor esté en funcionamiento. La inclinación resultante podría privar al motor de aceite y trabarlo

- Si el motor se desacelera mucho mientras está picando, reduzca el ritmo de alimentación de ramas al equipo. Ello también dará astillas más pequeñas y prolongará la vida de la transmisión. Por otra parte, compruebe si las cuchillas están desafiladas.



¡Nota!

NO ARROJE extremos de ramas de más de 15mm de diámetro en el túnel de la trituradora. Empújelos con otro trozo de madera por el túnel de la picadora.

- Gire las ramas a medida que las vaya picando para reducir la posibilidad de que la corteza se enrosque alrededor del eje y trabe el equipo.
- Ponga las ramas que tengan varias ramitas más pequeñas en el túnel de la picadora hasta que le quede sólo una pequeña cantidad de hojas y ramitas pequeñas. En ese momento podrá dejar caer éstas en el túnel de la trituradora.
- Si la picadora se trabara, apague el motor inmediatamente (si no se hubiera detenido solo). Desconecte el cable de la bujía y aléjelo de la bujía. Antes de volver a arrancar el motor, retire el material que haya trabado el equipo. Para ello tal vez deba bajar la malla de la trituradora, girando el conjunto de la trituradora hacia atrás y tirando del material hacia afuera del tubo.



¡Nota!

NO SIGA picando si la correa está patinando o humeando. Para volver a ajustar la correa, vea la información de mantenimiento.



Advertencia

Nunca use el equipo si la pequeña tapa de mantenimiento está abierta o no está. Ello podría causar lesiones graves.

Cómo triturar



Advertencia

- No empuje con las manos el material hacia el interior del túnel de la trituradora. Use una rama verde o un pedazo de madera blanda.

B. Use protección para los ojos.

- Es posible triturar muchos materiales orgánicos, además de hojas y ramas. En el caso de las enredaderas, córtelas en pequeños trozos (de unos 300mm) antes de insertarlos en el túnel de la trituradora, pues podrían enroscarse en el eje. Ello podría trabar el equipo y causar lesiones graves al operador.

¡Importante! No intente triturar objetos tales como vidrio, metal, botellas de plástico o piedras.

- Es preferible usar guantes para insertar ramas pequeñas en el túnel de la trituradora; sostenga las ramas holgadamente y suéltelas mucho antes de que entren en contacto con las cuchillas en rotación.

¡Importante! Cuidado con el tirón repentino de las ramas cuando son arrastradas hacia el interior de la trituradora.

- Las ramas de más de 15mm de diámetro se moverán y golpearán por un rato en el interior de la trituradora y ello podría dañar la criba de trituración. Inserte este tipo de rama más bien en el tubo de la picadora.
- Las hojas se trituran muy bien, especialmente si no contienen tallos largos y se mantienen apiladas pero no apretadas en el túnel de la trituradora: no las empuje hacia el interior del túnel si éste se atasca. Apague el motor y suelte el material atascado.
- Observe constantemente el área por debajo del equipo para estar seguro de que no se haya acumulado tanto material triturado que no pueda seguir saliendo el resto del material. Ello impediría la descarga correcta de material, y podría despedir material nuevamente hacia atrás, hacia la abertura de carga. Mueva el equipo hacia atrás un poquito a medida que se acumule material por debajo.

Advertencia

Nunca ponga las manos o los pies debajo del equipo cuando éste esté en funcionamiento.

- Controle el ritmo de alimentación de material al túnel de la trituradora para no sobrecargar el motor. En particular, trate de evitar los cambios rápidos en la velocidad del motor, causados al cargar una gran cantidad de material al mismo tiempo.
- Si la criba de la trituradora se atasca, detenga el motor y quite el broche R de la clavija que sobresale debajo del protector de la correa, cerca de la pata delantera izquierda. Use la manija T debajo del tubo de la picadora para quitar la clavija de la criba de la trituradora. En general, ello hará que la criba se abra hacia abajo. Si se trabara, podrá soltarla lentamente usando la varilla de la trituradora o un destornillador grande.

Advertencia

No haga girar la trituradora sin desconectar primero el cable de la bujía, alejándolo de la bujía.

- Una vez que haya retirado el material que trababa el equipo, lleve la criba nuevamente a su posición y vuelva a colocar la clavija. Nota: la manija T debe quedar horizontal para que la clavija pueda penetrar completamente en la criba. Vuelva a colocar el broche R.
- Si la criba se atasca reiteradamente cuando tritura material como por ejemplo hojas húmedas, pruebe mezclar material seco con el material húmedo para así limpiar la criba, o use la parrilla de barras (opción extra). Vea más abajo.

- Después de triturar material “fibroso” como por ejemplo hojas de palmera, quite el túnel de la trituradora y compruebe que no haya quedado material enganchado alrededor de los extremos del rotor, dentro de la cámara. En este caso, quite dicho material con cuidado con un destornillador plano. Es posible cortar algunas variedades de hojas de palmera en el túnel de la picadora.

¡Importante! Si no quitara el material enroscado en el eje, éste se recalientará y hará que el aceite “hierva” y salga de los rodamientos del eje. Eso causará la falla de los rodamientos.

11. USO DE LA PARRILLA DE BARRAS (OPCIÓN EXTRA).

Para triturar material blando, abultado o húmedo como por ejemplo malas hierbas o restos de verduras, es posible adquirir una parrilla de barras optativa. Para colocarla, apague el motor, desconecte el cable de la bujía y retire el protector de la correa. Quite ambos broches R que sostienen las varillas de la malla de la trituradora, retire las varillas y la malla. Inserte la parrilla de barras desde abajo, e inserte las varillas por la parrilla. Vuelva a conectar los broches R, el protector de la correa y el cable de la bujía.

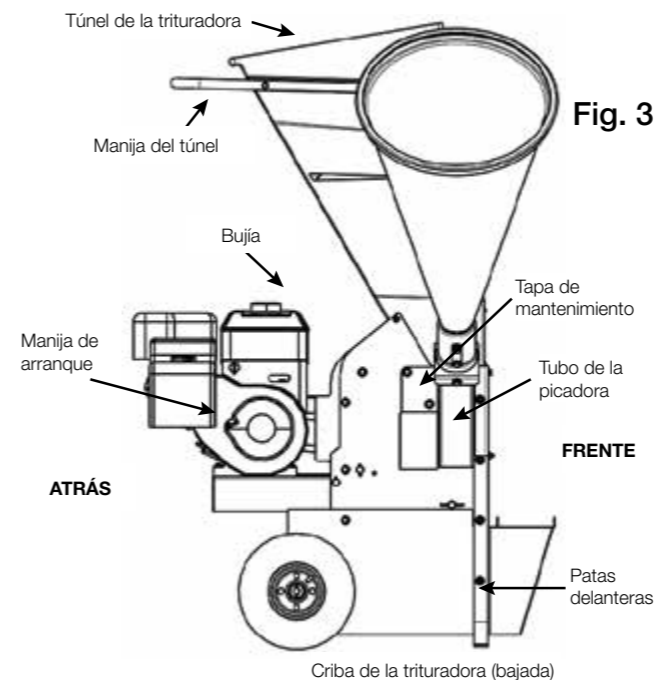
Mantenimiento básico

HERRAMIENTAS NECESARIAS

- Dos llaves fijas de 13mm.
 - Llave Allen de 5mm.
 - Llave inglesa ajustable de 10”.
- Cada 5-10 horas de uso, compruebe el nivel de aceite y agregue aceite si fuera necesario. Cambie el aceite de conformidad con las instrucciones del librito del motor.
 - Examine periódicamente el estado del filtro de aire del motor, especialmente en ambientes de mucho polvo.
 - Es posible que la correa se estire después de un corto tiempo de uso, pero luego se estabilizará durante bastante tiempo si no se la sobrecarga o si no patina constantemente. Si el motor no estuviera aproximadamente nivelado (es decir si estuviera colgado hacia atrás, alejándose del túnel) la presión del resorte sobre la correa podría reducirse, con lo que la correa podría patinar. Para volver a nivelar el motor: Quite el protector de la correa; suelte los 4 bulones de montaje del motor usando dos llaves de 13mm; eleve la placa de montaje del motor hasta que éste esté levemente inclinado hacia adelante; tire del motor hacia atrás, deslizándolo sobre las ranuras de montaje y ajuste dos bulones traseros de montaje del motor; compruebe que ahora el motor esté nivelado; ajuste los demás bulones del motor; remplace el protector de la correa.

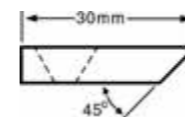
¡Nota! Remplace la correa cuando el motor haya llegado al final de los agujeros ranurados y la correa esté patinando.

- Si el motor estuviera vibrando mucho, es posible que sea necesario ajustar los bulones de 10mm de pivote del motor que se encuentran debajo de la placa de montaje del motor. No los ajuste a fondo; después de ajustarlos, levante el motor con la mano para comprobar que siga pivotando. Si no pivotara, la correa patinará pues el peso del motor mantiene la correa ajustada. Para aumentar la vida de los cojinetes de pivote, quite los bulones de pivote y engráselos por lo menos una vez al año. Tal vez sea necesario colocar tuercas nyloc nuevas después de quitarlas varias veces.



Cómo quitar la cuchilla de la picadora

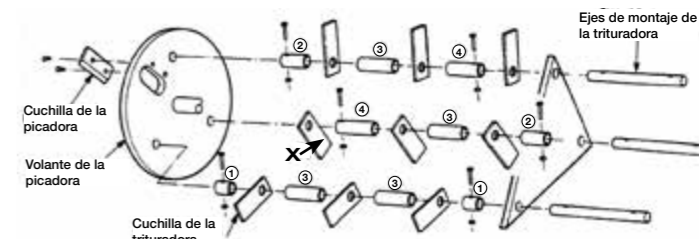
- Desconecte el cable de la bujía, alejándolo de la bujía.
- Quite el túnel de la trituradora.
- Suelte el bulón superior de la tapa de mantenimiento y quite el bulón inferior.
- Haga girar la tapa de mantenimiento para exponer el agujero debajo de la placa.
- Haga girar el rotor de la trituradora picadora hasta que la cuchilla de la picadora quede enfrentada con el agujero de mantenimiento.
- Con un objeto afilado como un clavo, quite los residuos de material de los agujeros para llaves allen en los dos bulones avellanados de la cuchilla de la picadora.
- Quite los bulones y la cuchilla de la picadora usando una llave allen y una llave de 13mm. [CUIDADO CON EL BORDE FILOSO DE LA CUCHILLA DE LA PICADORA]
- Afile la cuchilla a 45°. Quite la misma cantidad de cada cuchilla para mantener el equilibrio. Las dimensiones mínimas de la cuchilla son:



Nunca use una cuchilla de picadora si está fisurada.

- Use tuercas nyloc nuevas cuando remplace la cuchilla de la picadora y bulones nuevos si éstos parecieran dañados. Antes de ajustarla, compruebe que la cuchilla esté bien plana sobre la superficie del volante de la picadora.

Cómo quitar la cuchilla de la trituradora



Modelos que llevan dos cuchillas de picadora: Compruebe las posiciones de las ranuras para cuchilla con respecto a los ejes de la trituradora, de modo que la cuchilla X pueda girar sobre su eje sin golpear las tuercas de ajuste de la cuchilla de la picadora.

HERRAMIENTAS NECESARIAS

- Llave allen de 4mm
- Llave de 8mm
- Varilla de 1/4” o destornillador Phillips con eje de 6mm de diámetro como máximo
- Extractor de rodamientos
- Dos llaves fijas de 18mm
- Llave allen de 1/8”.

¡Importante! Cada 20 horas de uso o después de un impacto con algún objeto, examine el rotor para ver si hay bulones sueltos o piezas fisuradas, desgastadas o dobladas. Remplace las piezas desgastadas o dañadas.

- Gire las cuchillas de la trituradora 180° para exponer caras nuevas de corte.
- Para quitar las cuchillas, retire primero el túnel de la trituradora y abra la tapa de mantenimiento que se encuentra cerca del tubo de la picadora.
- Quite el cable de la bujía.
- Quite el protector de la correa.
- Ponga en línea un eje de la trituradora con el agujero que se encuentra debajo de la tapa de mantenimiento.
- Quite los bulones pequeños por el eje de la trituradora.
- Inserte una varilla o destornillador Phillips por el pequeño agujero por encima de la polea en la placa izquierda y empuje el eje de la trituradora hasta que salga por el agujero de mantenimiento.
- Examine el estado del eje de la trituradora. Si estuviera muy estriado (es decir con estrías de más de 1mm de profundidad) replácelo. Remplace también los espaciadores desgastados (vea los largos más abajo.)

ESPACIADOR N°	(mm)	LARGO N°	No.
1	18	536043	2
2	36	536042	2
3	51	536045	4
4	51	536044	2

- Repita el procedimiento con los otros dos ejes de la trituradora.
- Cuando remplace los ejes y cuchillas, use tuercas nyloc nuevas en los bulones del eje y bulones nuevos si estuvieran dañados o desgastados. No vuelva a usar cuchillas si estuvieran fisuradas o muy desgastadas.
- Instale las cuchillas exactamente como se ilustra. Es especialmente importante que la cuchilla X que no está separada del volante de la picadora por un espaciador, esté

en el eje, lo que le permite girar alrededor del eje sin tocar las tuercas que sostienen la cuchilla de la picadora en su sitio.

Cómo quitar el motor

Para desconectar el motor del equipo, quite el protector de la correa, la correa, el resorte de tensionamiento de la correa y los dos bulones de pivote del motor.

Cómo quitar el rotor

- Quite la polea del rotor: primero quite el anillo elástico, luego afloje el tornillo del cubo de la polea y retire la polea usando un extractor. Posiblemente sea más fácil sacarla si se inyecta Penetrene por el agujero del tornillo del cubo.
- Quite el túnel de la trituradora.
- Quite el tornillo de 13mm desde el final del eje del rotor adyacente al tubo de la picadora.
- Quite las cuatro tuercas de los tornillos de los rodamientos.
- Afloje los cuatro tornillos de los rodamientos del cubo con una llave allen de 3mm.
- Con un mandril de bronce (o material similar), empuje el eje de la trituradora parcialmente por el rodamiento del lado en que se encuentra el tubo de la picadora.
- Quite el rodamiento del lado de la polea usando un extractor.
- Quite las cuchillas de la picadora o compruebe que éstas no se encuentren cerca del tubo de la picadora.
- Golpee el eje del rotor desde el lado de la polea usando un martillo blando. Tenga cuidado de no dañar las cuchillas de la picadora.
- Quite el rodamiento del lado del tubo de la picadora, usando un extractor.
- Ahora podrá quitar el rotor desconectando del equipo una de las placas laterales.

¡Nota!

Cuando vuelva a armarlo, aplique Loctite 262 (o producto similar) en el tornillo del cubo de la polea y no olvide colocar un buen anillo elástico.

Cómo quitar la correa

- Quite el protector de la correa.
- Desconecte el cable de la bujía.
- Afloje los cuatro bulones de montaje del motor y deslice el motor hacia adelante.
- Levante el motor y quite la correa.
- Cuando haya instalado una correa nueva, vuelva a ajustar la posición del motor de modo que esté nivelado cuando la correa esté ajustada.
- Coloque el protector de la correa

Resolución de problemas

PROBLEMA	CAUSA(S) POSIBLE(S)	SOLUCIÓN
El motor no arranca	El tanque de combustible está vacío El filtro del tanque de combustible está tapado El cable de la bujía está desconectado Bujía fallada Bujía fallada	Llene el tanque de combustible con el combustible correcto Limpie el tanque de combustible Conecte el cable a la bujía Limpie la bujía Reemplace la bujía
Pérdida de fuerza; funcionamiento errático	Cable de bujía suelto Equipo todavía funciona con el CEBADOR Línea de combustible tapada El tanque de combustible está casi vacío Es preciso ajustar el carburador Filtro de aire sucio/tapado Tanque de combustible sucio	Ajuste la conexión de la bujía Mueva la palanca del CEBADOR a NORMAL Limpie las líneas de combustible Vuelva a llenar el tanque de gasolina Consulte al Representante de su zona Limpie o reemplace los filtros de aire Limpie el tanque de gasolina
EL motor se recalienta	El aceite del motor está bajo Residuos alrededor del motor	Vuelva a llenar con aceite del grado correcto Apague el equipo y limpie alrededor del motor
Vibración del equipo	Placa de montaje del motor está suelta Cuchilla de picadora dañada Residuos trabados en las cuchillas Superficie despareja	Ajuste placa de montaje, vea M/P Compruebe las cuchillas y replácelas cuando sea necesario Compruebe las cuchillas y retire los residuos Mueva el equipo a una superficie plana
El equipo no descarga	Malla de descarga atascada	Desconecte el cable de la bujía para quitar y limpiar la malla Agregue material seco o una mezcla de material diferente Reduzca el ritmo de llenado del túnel
El equipo no funciona bien	El equipo tarda más en procesar el material	Compruebe que las cuchillas no estén rotas Compruebe y reemplace/gire 180° las cuchillas de la trituradora Reemplace o afile las cuchillas de la picadora Compruebe la tensión de la correa

Información Técnica

Modelo:	Picadora Tritradora GRN 6.0 IC	Modelo:	Picadora trituradora UE GRN 6.0 IC
Tipo de motor:	B&S HRZ, 205cm ³	Tipo de motor:	B&S HRZ, 205cm ³
Potencia del motor:	4,03 Kw	Potencia del motor:	4,03 Kw
Velocidad sin carga:	3600/min	Velocidad sin carga:	3600/min
Capacidad del tanque de gasolina:	3800 MI.	Capacidad del tanque de gasolina:	3800 MI.
Capacidad del tanque de aceite:	900 MI.	Capacidad del tanque de aceite:	900 MI.
Número de pieza de la cuchilla de corte:	536027 (cuchilla de picadora) y 536030 (cuchilla de trituradora)	Número de pieza de la cuchilla de corte:	536027 (cuchilla de picadora) y 536030 (cuchilla de trituradora)
Peso:	73 Kg	Peso:	73 Kg
Nivel de presión de sonido LPA en la posición del operador:	92,3 dB(A) k=3dB(A)	Nivel de presión de sonido LPA en la posición del operador:	92,3dB(A)k=3dB(A)
Nivel de potencia de sonido medido LWA:	112,0 dB(A) k=3dB(A)	Nivel de potencia de sonido medido LWA:	103,8 dB(A) k=3dB(A)
Nivel garantizado de potencia de sonido LWA (2000/14/CE):	112,0 Db(A)	Nivel garantizado de potencia de sonido LWA (2000/14/CE):	112,0 Db(A)

GBR

Head Office - New Zealand
1-37 Mt Wellington Highway. Panmure,
P.O. Box 14 349
Auckland 1741, New Zealand

DEU

Hoofdkantoor – Nieuw-Zeeland
1-37 Mt Wellington Highway. Panmure,
P.O. Box 14 349
Auckland 1741, Nieuw Zeeland

FRA

Siège basé en Nouvelle-Zélande
1-37 Mt Wellington Highway. Panmure,
P.O. Box 14 349
Auckland 1741, Nouvelle-Zélande

GER

Hauptniederlassung – Neuseeland
1-37 Mt Wellington Highway. Panmure,
P.O. Box 14 349
Auckland 1741, Neuseeland

ITA

Sede centrale - Nuova Zelanda
1 37 Mt Wellington Highway. Panmure,
P.O. Box 14 349
Auckland 1741, Nuova Zelanda

NOR

Hovedkontor - New Zealand
1 37 Mt Wellington Highway. Panmure,
P.O. Box 14 349
Auckland 1741, New Zealand

POL

Siedziba główna - Nowa Zelandia
1 37 Mt Wellington Highway. Panmure,
P.O. Box 14 349
Auckland 1741, Nowa Zelandia

ESP

Casa matriz - Nueva Zelanda
1-37 Mt Wellington Highway.
Panmure, PO Box 14 349
Auckland 1741, Nueva Zelanda